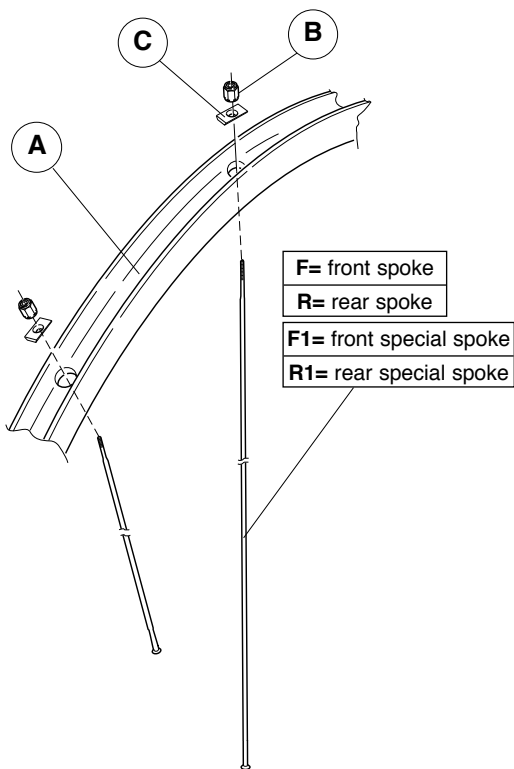


## **HYPERON™ Ultra™** **clincher** **9s / 10s**

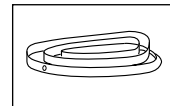


COMPLETE WHEELS	A	Compl. KIT	MINI-KIT
<b>FRONT</b>			<b>KIT-400HYU</b> (1F+1F1+1R right+1R1 right+1R left+1R1 left+2C front+2C rear+6B)
<b>WH6-HYCFU</b> clincher 28"	<b>WH-103HYU</b>	<b>KIT-13HYU</b> (21F+2F1+23C+23B)	
<b>REAR</b>			
<b>WH6-HYCRU</b> <b>WH6-HYCRXU</b> clincher 28"	<b>WH-104HYU</b>	<b>KIT-14HYU</b> (12R right+1R1 right+ 12R left+1R1 left+26C+26B)	

FRONT WHEEL	F + B	F1 + B
<b>WH6-HYCFU</b> clincher 28"	L. 292 mm WH-105HYC (10 pcs.)	L. 292 mm WH-205HYC (1 pc.)

REAR WHEELS	R right + B	R1 right + B	R left + B	R1 left + B
<b>WH6-HYCRU</b> <b>WH6-HYCRXU</b> clincher 28"	L. 292 mm WH-106HYC (10 pcs.)	L. 292 mm WH-206HYC (1 pc.)	L. 291 mm WH-107HYC (10 pcs.)	L. 291 mm WH-207HYC (1 pc.)

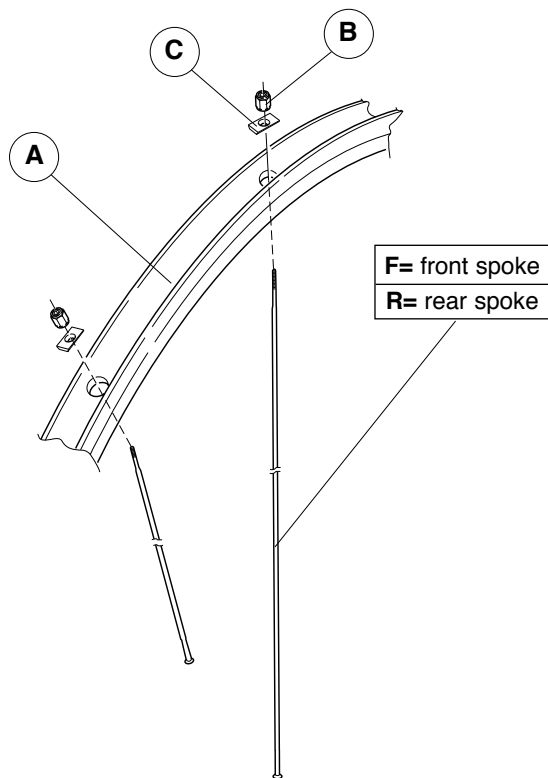
B	C front	C rear
10-WH-010BO (10 pcs.)	10-WH-011HY (10 pcs.)	10-WH-012HY (10 pcs.)



RIM TAPE 16 mm:  
**WH-RT02**

**COMPLETE LABEL KIT (front+rear): LAB-HYUC06**

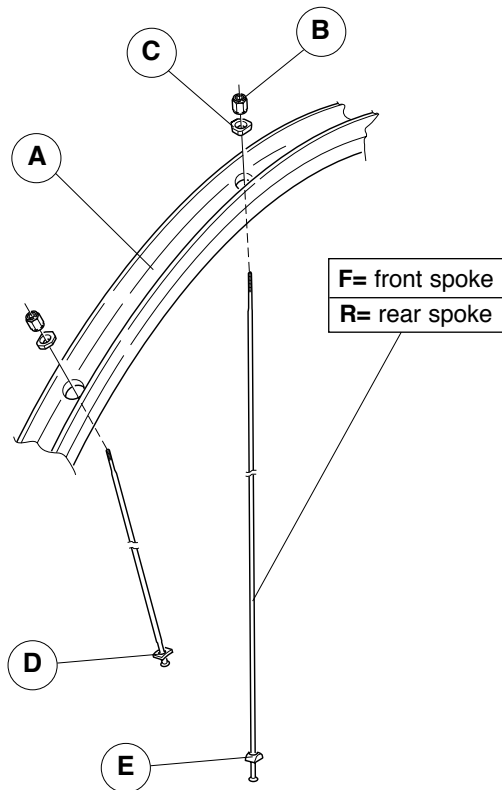
**HYPERON™**  
**tubular**  
**9s / 10s**

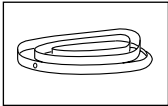


COMPLETE WHEELS	A	Compl. KIT	MINI-KIT
<b>FRONT</b>			
<b>WH6-HYTF</b> tubular 28"	<b>WH-001HY</b>	<b>KIT-01HY</b> (24F+24C+24B)	<b>KIT-100HY</b> (2F+2R right +2R left+6C +6B)
<b>REAR</b>			
<b>WH6-HYTR</b> <b>WH6-HYTRX</b> tubular 28"	<b>WH-002HY</b>	<b>KIT-02HY</b> (13R right+13R left+26C+26B)	
COMPLETE WHEELS	F + B	R right + B	R left + B
<b>WH6-HYTF</b> tubular 28"	L. 294,5 mm WH-005HYT (10 pcs.)		
<b>WH6-HYTR</b> <b>WH6-HYTRX</b> tubular 28"		L. 295 mm WH-006HYT (10 pcs.)	L. 294,5 mm WH-007HYT (10 pcs.)
B	C		
10-WH-010BO (10 pcs.)	10-WH-011HY (10 pcs.)		

**COMPLETE LABEL KIT (front+rear): LAB-HYT05**

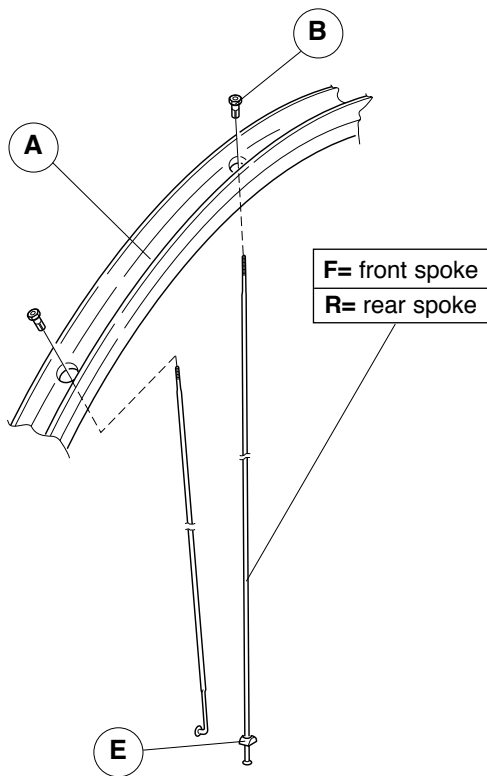
## NEUTRON™ 9s / 10s



COMPLETE WHEELS	A	Compl. KIT	MINI-KIT
<b>FRONT</b>			
WH6-NECF clincher 28"	WH-103NE	KIT-03NE (24F+24C+24B+24D)	<b>KIT-200NE</b> (2F+2R right +2R left+6C +6B+4D+2E)
<b>REAR</b>			
WH6-NECR WH6-NECRX clincher 28"	WH-104NE	KIT-04NE (13R right+13R left +26C+26B+13D+13E)	
COMPLETE WHEELS	F + B	R right + B	R left + B
WH6-NECF clincher 28"	L. 294,25 mm WH-005NEC (10 pcs.)		
WH6-NECR WH6-NECRX clincher 28"		L. 296,5 mm WH-006NEC (10 pcs.)	L. 294,75 mm WH-007NEC (10 pcs.)
B	C	 RIM TAPE 18 mm: WH-RT01	
10-WH-010BO (10 pcs.)	10-WH-011EU (10 pcs.)		

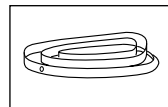
**COMPLETE LABEL KIT (front+rear): LAB-NEC05**

**PROTON™**  
**9s / 10s**



COMPLETE WHEELS	A	Compl. KIT	MINI-KIT
<b>FRONT</b>			
WH6-PRCF clincher 28"	WH-201PR	KIT-03PR (24F+24B)	KIT-400PR (2F+2R right +2R left+6B+2E)
<b>REAR</b>			
WH6-PRCR WH6-PRCRX clincher 28"	WH-202PR	KIT-04PR (13R right+13R left+26B+13E)	

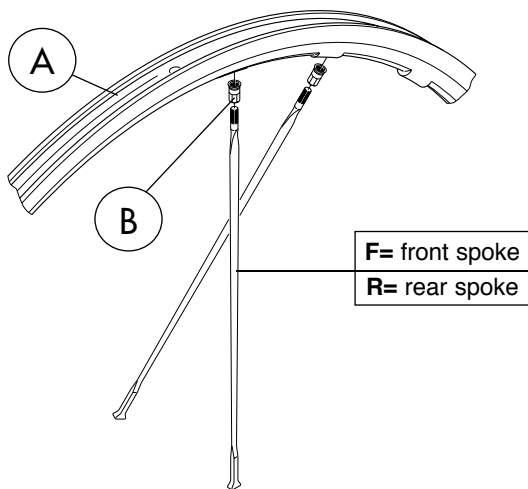
COMPLETE WHEELS	F + B	R right + B	R left + B
WH6-PRCF clincher 28"	L. 283 mm WH-005PRC (10 pcs.)		
WH6-PRCR WH6-PRCRX clincher 28"		L. 292 mm WH-006PRC (10 pcs.)	L. 283 mm WH-005PRC (10 pcs.)



RIM TAPE 18 mm:  
WH-RT01

**COMPLETE LABEL KIT (front+rear): LAB-PRC05**

## EURUS™ clincher 9s / 10s



See page 148 for accessories  
Vedi pag. 148 per gli accessori

COMPLETE WHEELS	A	Compl. KIT	B	
<b>FRONT</b>				
WH6-EUCF BLACK	WH-303EU	KIT-33EU (16F)	<b>WH-N10</b> (10 pcs.)	
WH6-EUCFS SILVER	WH-303EUS	KIT-33EUS (16F)		
<b>REAR</b>				
WH6-EUCR WH6-EUCRX BLACK	WH-304EU	KIT-34EU (21R)		
WH6-EUCRS WH6-EUCRXS SILVER	WH-304EUS	KIT-34EUS (21R)		

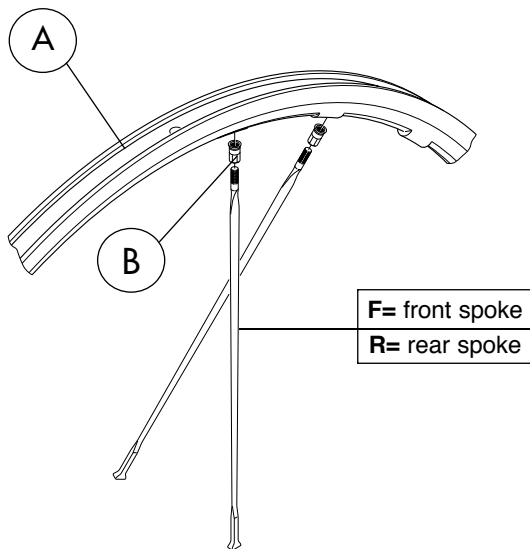
COMPLETE WHEELS	F + B	R right + B	R left + B
WH6-EUCF BLACK	L. 278,5 mm WH-305EUC (1F+1B)		
WH6-EUCFS SILVER	L. 278,5 mm WH-305EUCS (1F+1B)		
WH6-EUCR WH6-EUCRX BLACK		L. 282 mm WH-306EUC (1R right+1B)	L. 276 mm WH-307EUC (1R left+1B)
WH6-EUCRS WH6-EUCRXS SILVER		L. 282 mm WH-306EUCS (1R right+1B)	L. 276 mm WH-307EUCS (1R left+1B)

### COMPLETE LABEL KIT (front+rear)

Black: LAB-EUC06

Silver: LAB-EUCS06

**EURUS™**  
**tubular**  
**9s / 10s**



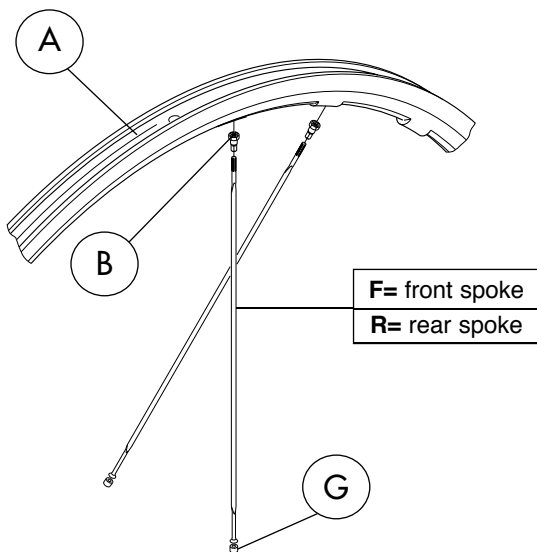
See page 148 for accessories  
 Vedi pag. 148 per gli accessori

COMPLETE WHEELS	A	Compl. KIT	B
<b>FRONT</b>			
WH6-EUTF tubular 28"	WH-001EU	KIT-33EUS (16F)	<b>WH-108EUC</b> (10 pcs.)
<b>REAR</b>			
WH6-EUTR WH6-EUTRX tubular 28"	WH-002EU	KIT-34EUS (21R)	

COMPLETE WHEELS	F + B	R right + B	R left + B
WH6-EUTF tubular 28"	L. 278,5 mm WH-305EUCS (1F+1B)		
WH6-EUTR WH6-EUTRX tubular 28"		L. 282 mm WH-306EUCS (1R right+1B)	L. 276 mm WH-307EUCS (1R left+1B)

COMPLETE LABEL KIT (front+rear):  
**LAB-EUT06**

**ZONDA™**  
**9s / 10s**



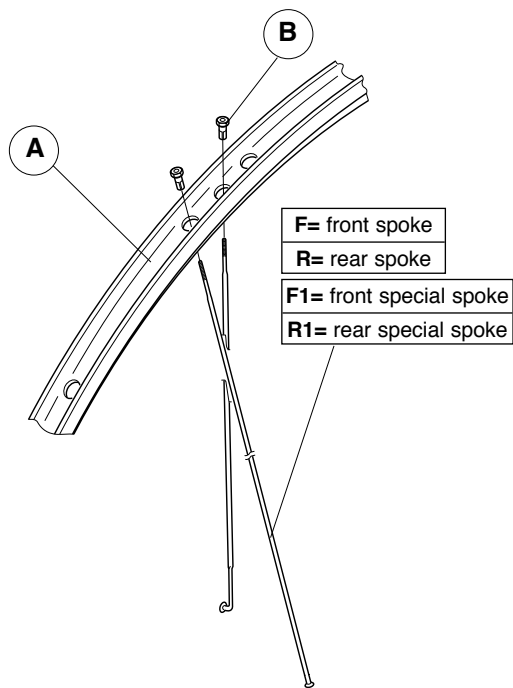
See page 148 for accessories  
Vedi pag. 148 per gli accessori

**COMPLETE LABEL KIT (front+rear):**  
**LAB-ZOCB06 (black)**  
**LAB-ZOCS06 (silver)**

COMPLETE WHEELS	A	Compl. KIT	MINI-KIT
<b>FRONT</b>			
WH6-ZOCF clincher 28"	WH-203ZO	KIT-23ZO (17F+17B+17G)	<b>BLACK</b> <b>KIT-400ZO</b> (2F+2R right +2R left+6B+2G)
WH6-ZOCFS clincher 28"	WH-203ZOS	KIT-23ZOS (17F+17B+17G)	
<b>REAR</b>			
WH6-ZOCR WH6-ZOCRX clincher 28"	WH-204ZO	KIT-24ZO (15R right+8R left+21B+8G)	<b>SILVER</b> <b>KIT-400ZOS</b> (2F+2R right +2R left+6B+2G)
WH6-ZOCRS WH6-ZOCRXS clincher 28"	WH-204ZOS	KIT-24ZOS (15R right+8R left+21B+8G)	

COMPLETE WHEELS	F + B	R right + B	R left + B	G
WH6-ZOCF clincher 28"	L. 278 mm WH-105ZOC (10 pcs.)			WH-109ZOC (10 pcs.)
WH6-ZOCFS clincher 28"	L. 278 mm WH-105ZOCs (10 pcs.)			
WH6-ZOCR WH6-ZOCRX clincher 28"		L. 280 mm WH-106ZOC (10 pcs.)	L. 275 mm WH-107ZOC (10 pcs.)	
WH6-ZOCRS WH6-ZOCRXS clincher 28"		L. 280 mm WH-106ZOCs (10 pcs.)	L. 275 mm WH-107ZOCs (10 pcs.)	

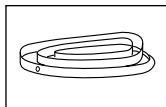
**SCIROCCO™**  
**9s / 10s**



COMPLETE WHEELS	A	Compl. KIT	MINI-KIT
<b>FRONT</b>			<b>KIT-600SC</b> (1F+1F1+1R right +1R left+1R1 left+5B)
<b>WH6-SCCF</b> clincher 28"	<b>WH-103SC</b>	<b>KIT-33SC</b> (19F+2F1+21B)	
<b>REAR</b>			
<b>WH6-SCCR</b> <b>WH6-SCCRX</b> clincher 28"	<b>WH-104SC</b>	<b>KIT-34SC</b> (18R right+10R left+1R1 left+29B)	

FRONT WHEEL	F + B	F1 + B
<b>WH6-SCCF</b> clincher 28"	L. 281 mm WH-105SCC (10 pcs.)	L. 281 mm WH-205SCC (1 pc.)

REAR WHEELS	R right + B	R left + B	R1 left + B
<b>WH6-SCCR</b> <b>WH6-SCCRX</b> clincher 28"	L. 280 mm WH-106SCC (10 pcs.)	L. 282 mm WH-107SCC (10 pcs.)	L. 282 mm WH-207SCC (1 pc.)

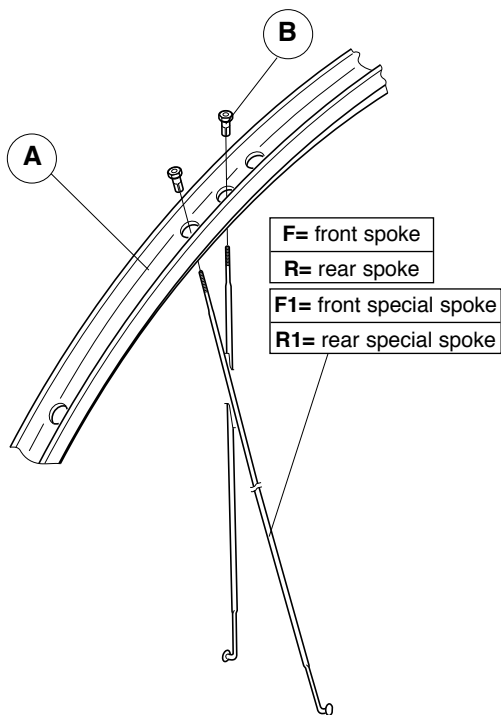


RIM TAPE 18 mm:  
WH-RT01

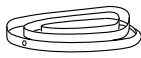
**COMPLETE LABEL KIT (front+rear):**  
LAB-SCC06



**VENTO™**  
**9s / 10s**



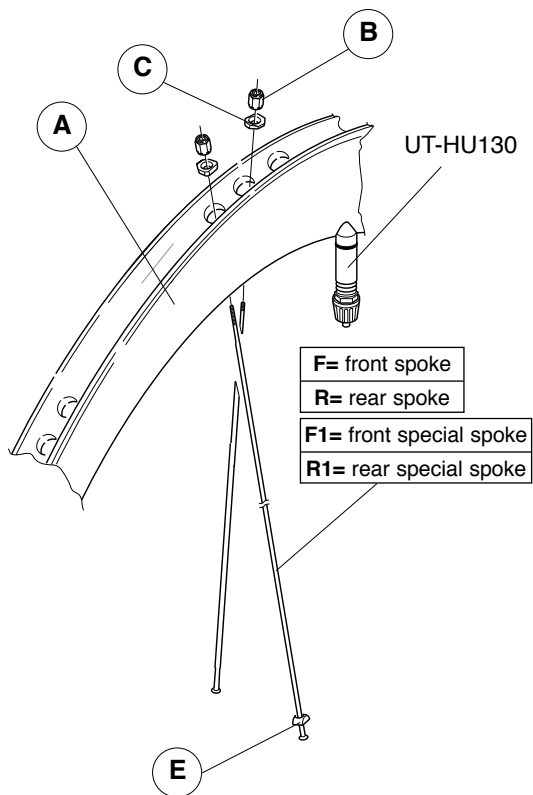
COMPLETE WHEELS	A	Compl. KIT	MINI-KIT
<b>FRONT</b>			
<b>WH6-VECF</b> clincher 28"	<b>WH-203VE</b>	<b>KIT-13VE</b> (8 FC+17 FL+ 1 F1+26 B)	<b>KIT-500VE</b> (1FC+1FL+1F1 +1R right +1R left+1R1L+5B)
<b>REAR</b>			
<b>WH6-VECR</b> <b>WH6-VECRX</b> clincher 28"	<b>WH-204VE</b>	<b>KIT-14VE</b> (19R right+9R left+1R1+29B)	
FRONT WHEEL	F central + B	F1 + B	F lateral + B
<b>WH6-VECF</b> clincher 28"	L. 276 mm WH-105VEC (10 pcs.)	L. 276 mm WH-305VEC (1 pc.)	L. 273 mm WH-205VEC (10 pcs.)
REAR WHEELS	R right + B	R left + B	R1 left + B
<b>WH6-VECR</b> <b>WH6-VECRX</b> clincher 28"	L. 287 mm WH-106VEC (10 pcs.)	L. 276 mm WH-105VEC (10 pcs.)	L. 276 mm WH-305VEC (1 pc.)



RIM TAPE 16 mm:  
**WH-RT02**

**COMPLETE LABEL KIT (front+rear):**  
**LAB-VEC06**

**BORA™ ULTRA™**  
**9s / 10s**



COMPLETE WHEELS	A	Compl. KIT	MINI-KIT
<b>FRONT</b>			<b>KIT-300BO</b> (1F+1F1+1R right +1R left+1R1 left+5B+5C+2E)
<b>WH6-BOTF</b> tubular 28"	<b>WH-501BO</b>	<b>KIT-31BO</b> (17F+2F1+19B+19C)	
<b>REAR</b>			
<b>WH6-BOTR</b> <b>WH6-BOTRX</b> tubular 28"	<b>WH-402BO</b>	<b>KIT-32BO</b> (14R right+6R left+2R1 left+22C+15E)	

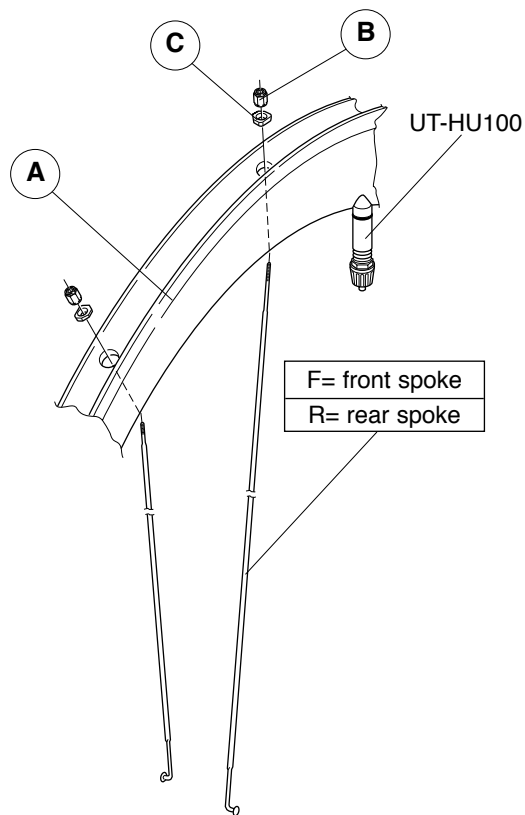
FRONT WHEEL	F + B	F1 + B
<b>WH6-BOTF</b> tubular 28"	L. 264 mm WH-105BOT (10 pcs.)	L. 264 mm WH-205BOT (1 pc.)

REAR WHEELS	R right + B	R left + B	R1 left + B
<b>WH6-BOTR</b> <b>WH6-BOTRX</b> tubular 28"	L. 268 mm WH-106BOT (10 pcs.)	L. 268 mm WH-107BOT (10 pcs.)	L. 268 mm WH-207BOT (1 pc.)

B	C
10-WH-010BO (10 pcs.)	10-WH-011BO (10 pcs.)

**COMPLETE LABEL KIT (front+rear):**  
**LAB-BOT06**

**PISTA™**



COMPLETE WHEELS	A	Compl. KIT	MINI-KIT
<b>FRONT</b>			
WH02-PTF tubular 28"	WH-001PI	KIT-01PI (22F+22B+22C)	KIT-100PI (3F+3R+6B+6C)
<b>REAR</b>			
WH02-PTR tubular 28"	WH-002PI	KIT-02PI (26R+26B+26C)	

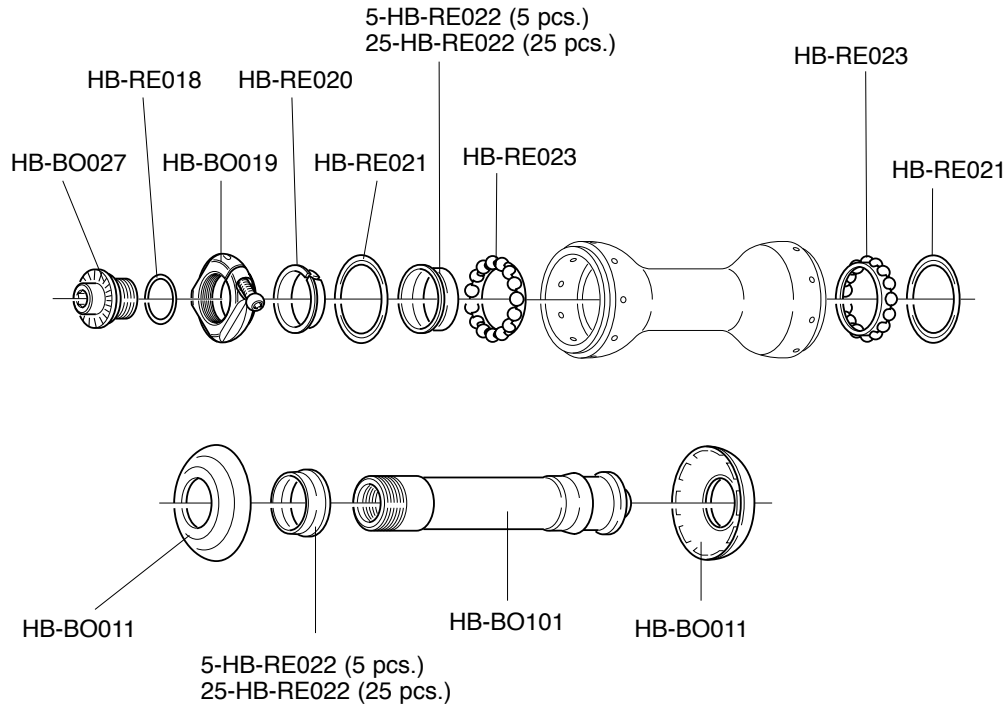
COMPLETE WHEELS	F + B	R + B
WH02-PTF tubular 28"	L. 278 mm WH-005PIT (10 pcs.)	
WH02-PTR tubular 28"		L. 287 mm WH-006PIT (10 pcs.)

B	C
10-WH-010BO (10 pcs.)	10-WH-011EU (10 pcs.)

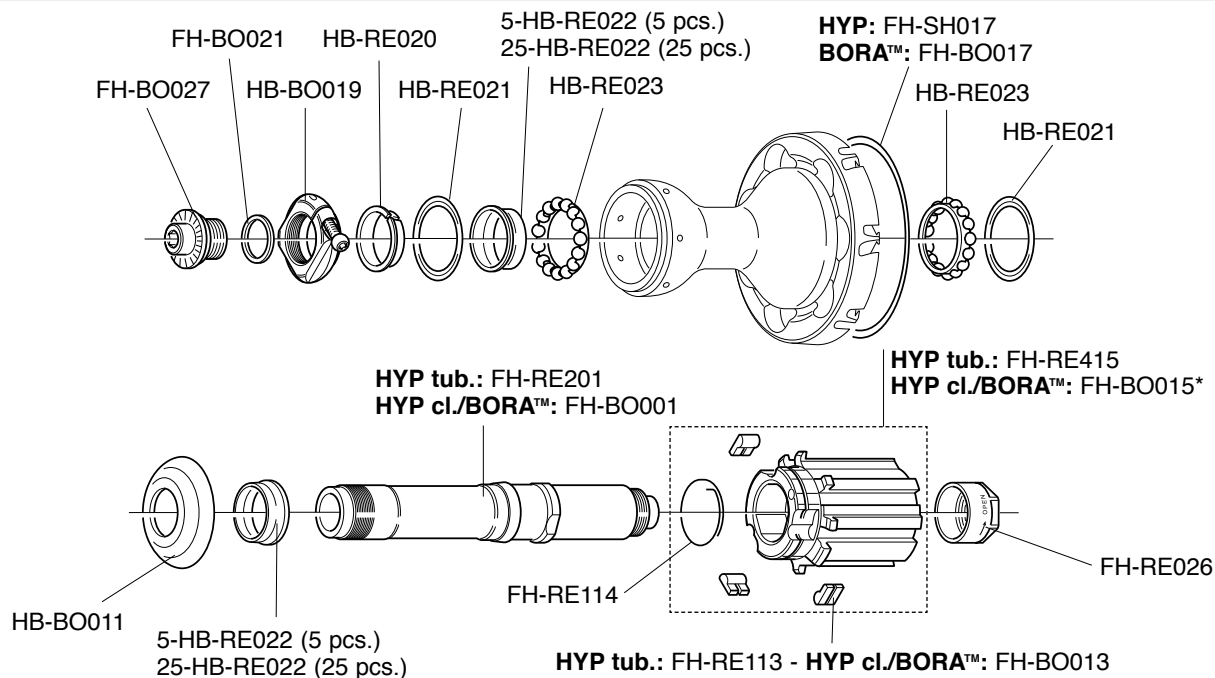
**COMPLETE LABEL KIT (front+rear):  
LAB-PIT06**

## MOZZO ANTERIORE

**HYPERON™ ULTRA™ clincher / HYPERON™ tub. / BORA™ ULTRA™ tub.**  
**FRONT HUB**



## MOZZO POSTERIORE 9s / 10s **HYPERON™ tub. / HYPERON™ ULTRA™ clincher / BORA™ ULTRA™ tub.** **9s / 10s REAR HUB**

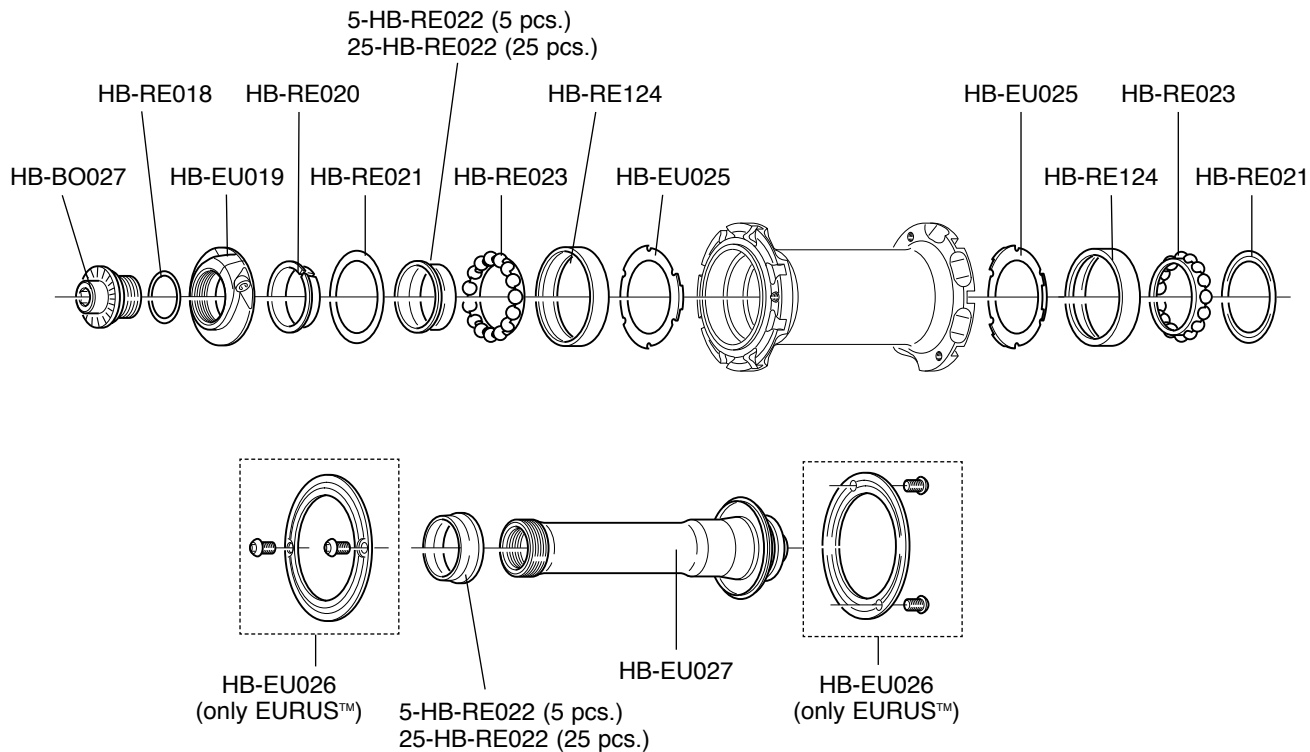


**HG 10 type FW body / corpetto RL tipo HG 10: WH-KX10**  
 (compatible only with new axle code FH-BO001, requires special locking code CS-701 /  
 compatibile solo con nuovo perno cod. FH-BO001, richiede ghiera speciale cod. CS-701)

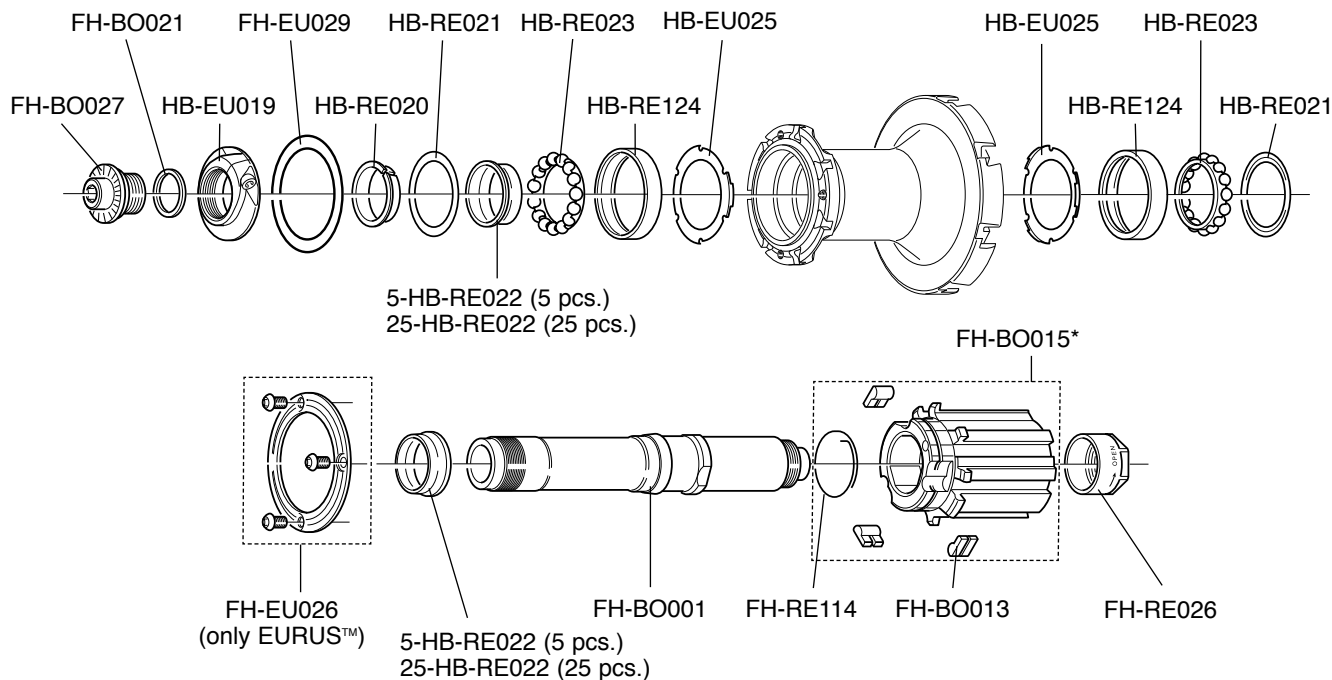
**HG 8/9 type FW body / corpetto RL tipo HG 8/9:**  
**WH-KX1 (RECORD type) - WH-KX2 (CHORUS type)**

\* compatible only with new axle code FH-BO001

**MOZZO ANTERIORE**  
**EURUS™ / ZONDA™**  
**FRONT HUB**



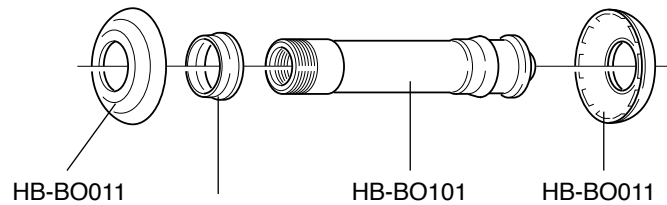
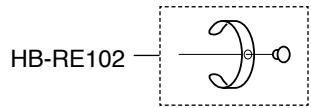
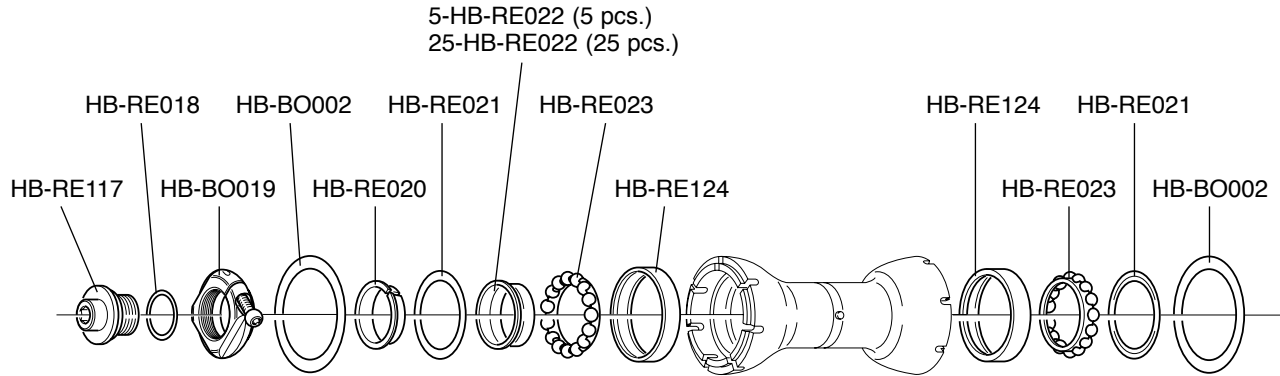
## MOZZO POSTERIORE EURUS™ / ZONDA™ REAR HUB



**HG 10 type FW body / corpetto RL tipo HG 10: WH-KX10**  
 (compatible only with new axle code FH-BO001, requires special lockring code CS-701 /  
 compatibile solo con nuovo perno cod. FH-BO001, richiede ghiera speciale cod. CS-701)

\* compatible only with new axle code FH-BO001

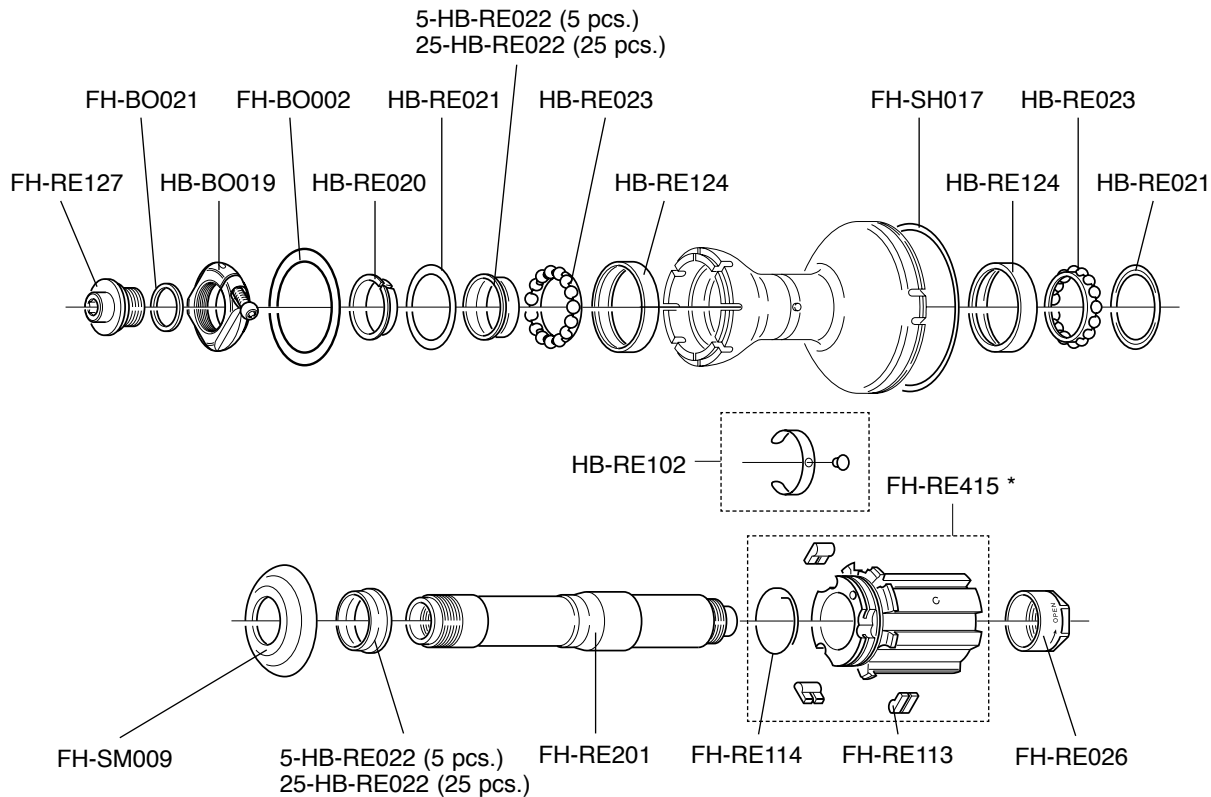
**MOZZO ANTERIORE**  
**NEUTRON™**  
**FRONT HUB**



5-HB-RE022 (5 pcs.)  
 25-HB-RE022 (25 pcs.)



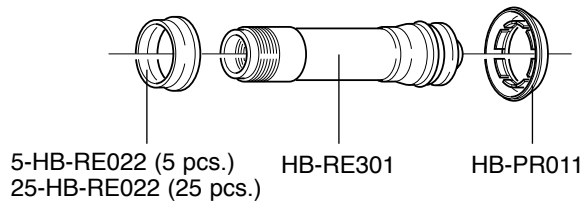
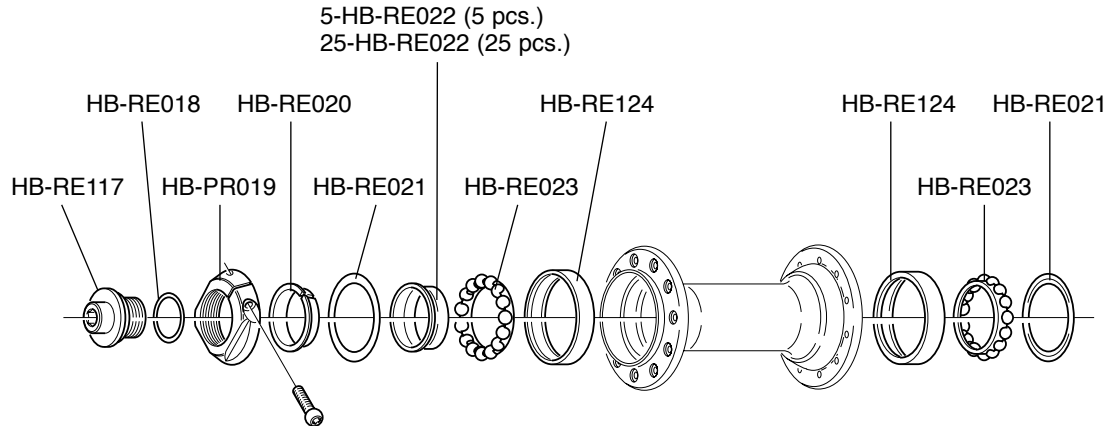
## MOZZO POSTERIORE 9s / 10s NEUTRON™ 9s / 10s REAR HUB



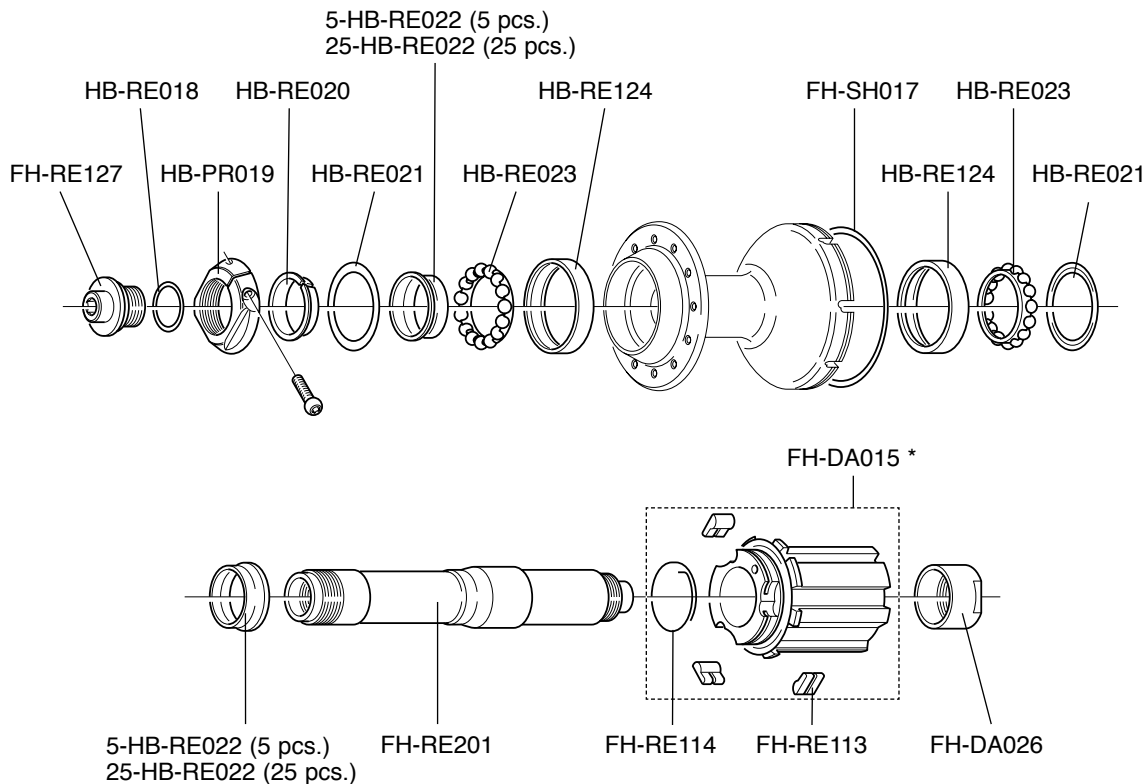
\* HG 8/9 type FW body / corpetto RL tipo HG 8/9: **WH-KX1** (RECORD type)

**WH-KX2** (CHORUS type)

**MOZZO ANTERIORE**  
**PROTON™**  
**FRONT HUB**



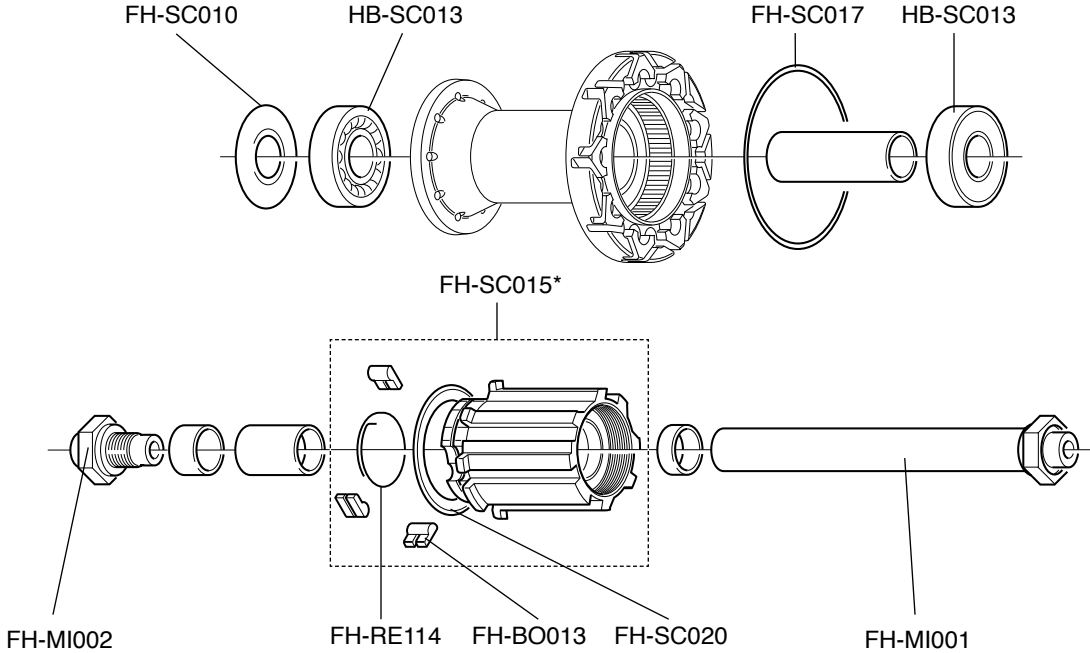
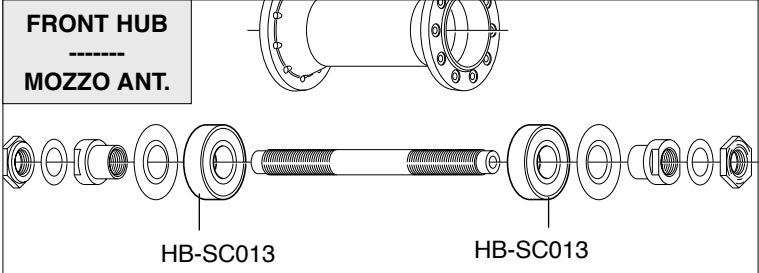
## MOZZO POSTERIORE 9s / 10s *PROTON™* 9s / 10s REAR HUB



\* HG 8/9 type FW body / corpetto RL tipo HG 8/9: **WH-KX1** (RECORD type)

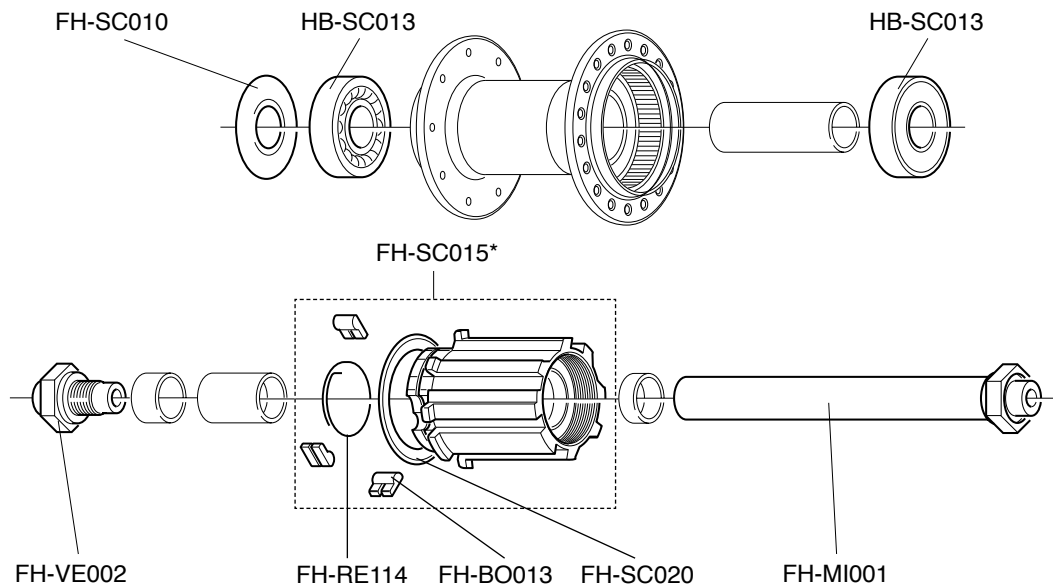
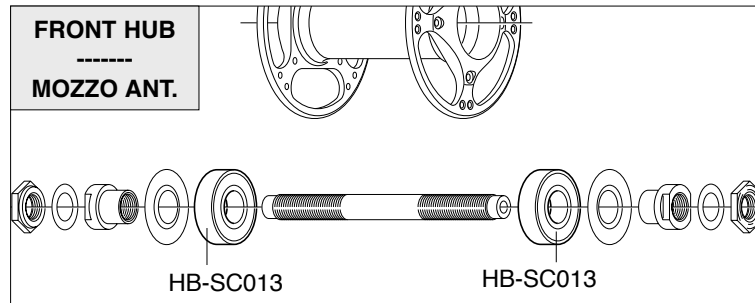
**WH-KX2** (CHORUS type)

**MOZZO ANTERIORE  
e POSTERIORE  
*SCIROCCO™*  
FRONT and REAR HUB**



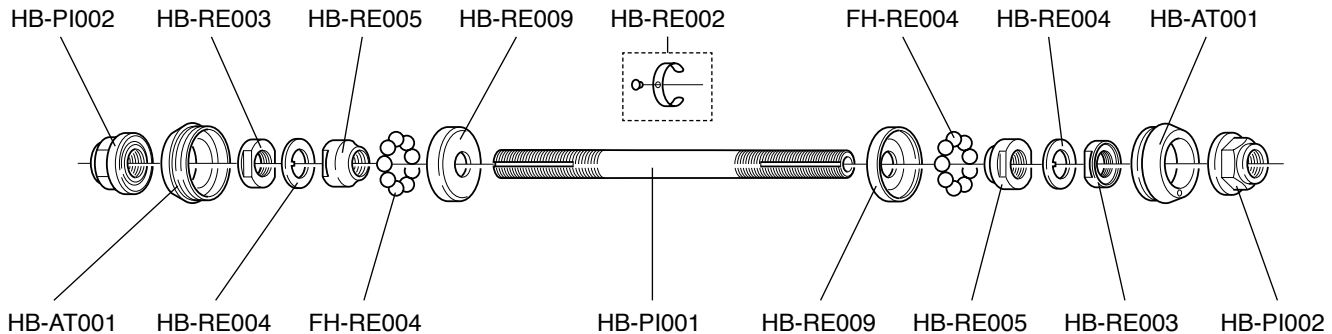
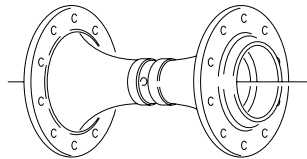
\* HG 8/9 type FW body / corpetto RL tipo HG 8/9: **WH-KX9**

**MOZZO ANTERIORE  
e POSTERIORE  
VENTO™  
FRONT and REAR HUB**

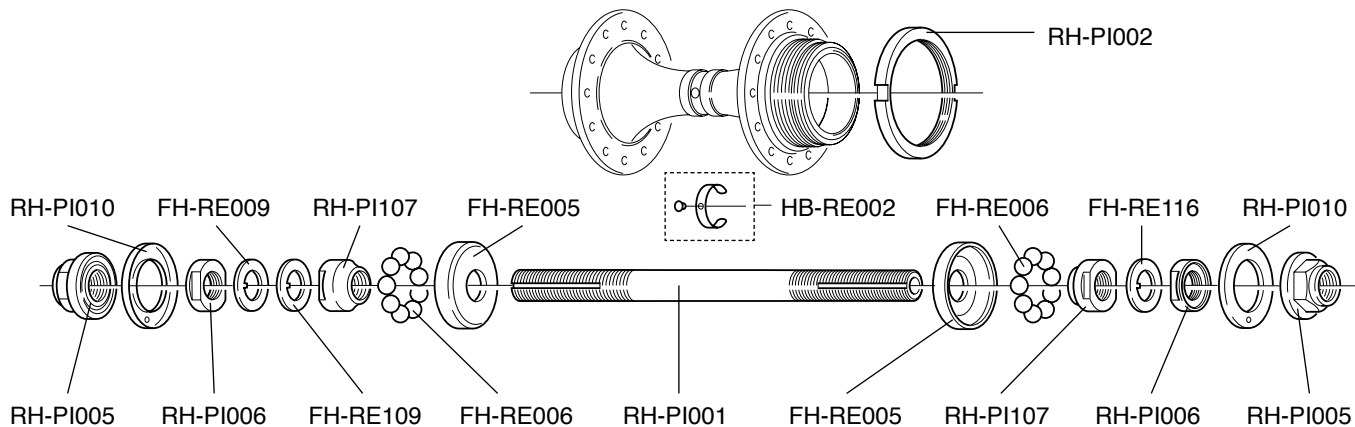


\* HG 8/9 type FW body / corpetto RL tipo HG 8/9: **WH-KX9**

**MOZZO ANTERIORE**  
***PISTA™***  
**FRONT HUB**



## MOZZO POSTERIORE *PISTA™* REAR HUB



## Utensili raccomandati reperibili in commercio

### Recommended tools, commercially available

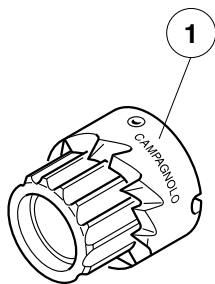
---

- Cacciavite a croce PH 1 (Phillips)
- Chiave a manico di cacciavite con esagono da 5mm per raggi ruote
- Chiave a brugola da 2,5 mm per registrazione mozzi
- Chiave a brugola da 3 mm per blocchetti fermaguaine
- Chiave a brugola da 5 mm per freni, comandi Ergopower™, ecc.
- Chiave dinamometrica con chiave a brugola da 8 mm per montaggio viti pedivelle
- Chiave fissa da 17 mm per controdado mozzo posteriore
- Chiave a bussola da 24 mm per utensile fissaggio calotte mov. centrale Daytona/Centaur™, Veloce™, Mirage™ (UT-BB100 - pag. 141)
- Maschio M10 x 1 per ripasso occhiello attacco cambio su forcellini
- Chiave TORX per viti fissaggio ingranaggi guarniture RECORD™ e CHORUS™ CARBON (a partire da gamma 2004) e CENTAUR™ CARBON.

- 
- Phillips type screwdriver
  - 5 mm nut driver for wheel spokes
  - 2.5 mm allen key, for hub lock nut
  - 3 mm allen key, for downtube adjusters
  - 5 mm for brakes, Ergopower™ control levers, etc.
  - Torque wrench fitted with 8 mm allen key
  - 17 mm hexagonal wrench, for rear hub axle nut
  - 24 mm hexagonal wrench for Daytona/Centaur™, Veloce™, Mirage™ bottom bracket tool (UT-BB100 on page 141)
  - M10 x 1 tap for recutting rear derailleur hanger thread
  - TORX wrench to fix the chainrings of the RECORD™ and CHORUS™ CARBON cranksets (from 2004 range) and CENTAUR™ CARBON cranksets.



## HEADSET



Doppia fresa sedi calotte per attrezzo UT-HS090 (Ø 1")

**UT-HS093:** standard

**UT-HS094:** con inserti in metallo duro

Double cutter cup seats for tool UT-HS090 (Ø 1")

**UT-HS093:** standard

**UT-HS094:** with hard metal inserts

Fraise double pour sièges cuvettes pour outil UT-HS090 (Ø 1")

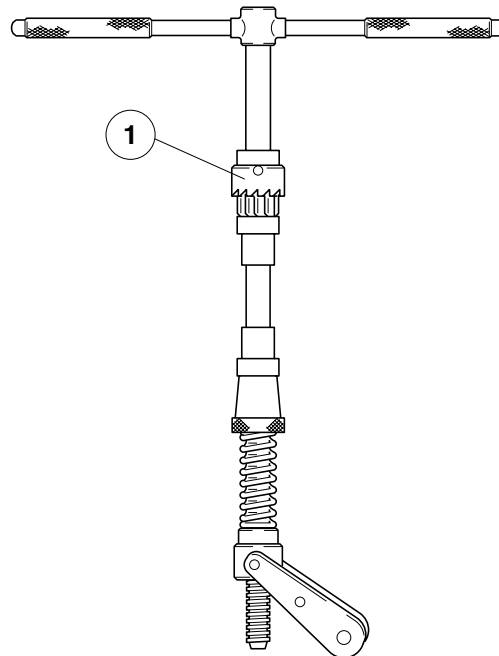
**UT-HS093:** standard

**UT-HS094:** avec inserts métal dur

Doppelfräser für Gabelkonus für Werkzeug UT-HS090 (Ø 1")

**UT-HS093:** Standard

**UT-HS094:** mit aufgetragenen Hartmetallplättchen



### UT-HS090

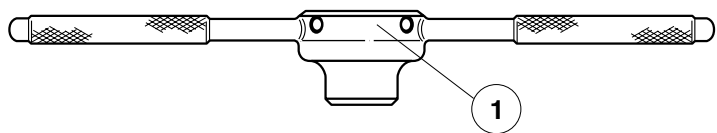
Attrezzo fresatura tubo sterzo, montaggio calotta inferiore e cono superiore serie sterzo 1" - completo di doppia fresa standard (1)

Tool for milling steering tube, for fitting bottom cup and top cone 1" headset - with standard double cutter (1)

Outil pour fraisage tube de direction, montage cuvette inférieure et cône supérieur jeux de directions 1" - avec fraise double standard (1)

Steuersatz-Fräswerkzeug - mit Standard-Doppelfräser (1) - für 1" Steuerschalensitz

## HEADSET



### UT-HS020

Atrezzo per ripasso filetto forcelle per sterzi 1", con filiera (1)

Tool for recutting fork thread for 1" Headsets, with threader (1)

Outil pour repassage filetage fourche pour jeux de directions 1", avec filière (1)

Werkzeug zum Nachschneiden von Gabelschaftgewinde, mit Gewinde-schneider (1), für Ø 1" Steuersatz

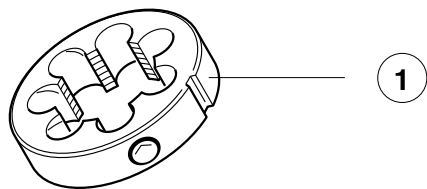
### UT-HS021

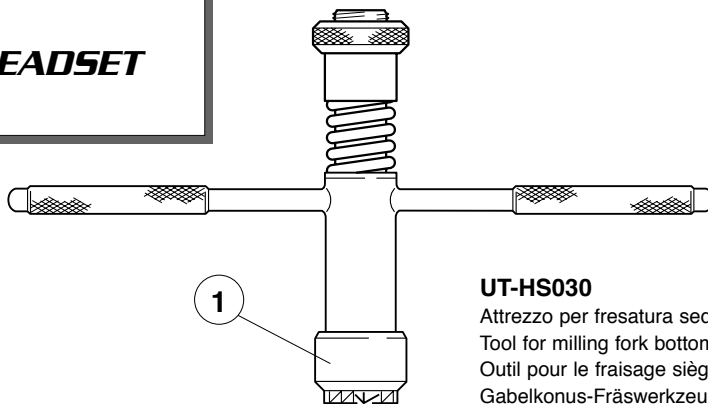
Filiera per attrezzo ripasso forcella UT-HS020 (1")

Cutter for recutting fork thread tool UT-HS020 (1")

Filière pour outil repassage fourche UT-HS020 (1")

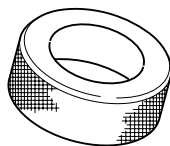
Gewindeschneider für Werkzeug UT-HS020 (1") zum Nachschneiden für Gabelschaftrohr





### UT-HS030

Attrezzo per fresatura sede cono forcella per serie sterzo 1" con fresa standard (1)  
 Tool for milling fork bottom cone seat for 1" headsets with standard cutter (1)  
 Outil pour le fraisage siège cône de fourche pour directions 1" avec fraise standard (1)  
 Gabelkonus-Fräswerkzeug für 1" Steuersitz mit Standardfräser (1)



### UT-HS110

Attrezzo mont. cono forcella, per s. sterzo Hiddenset 1"  
 Tool for installing fork cone, for Ø 1" Hiddenset headset  
 Outil pour montage cône de fourche, pour jeux de directions Hiddenset 1"  
 Werkzeug zur Montage von Gabelkonus, für Ø 1" Hiddenset Steuersatz

### UT-HS120

Attrezzo mont. cono forcella, per s. sterzo Hiddenset 1-1/8"  
 Tool for installing fork cone, for Ø 1-1/8" Hiddenset headset  
 Outil pour montage cône de fourche, pour jeux de directions Hiddenset 1-1/8"  
 Werkzeug zur Montage von Gabelkonus, für Ø 1-1/8" Hiddenset Steuersatz

Fresa per attrezzo UT-HS030 Ø 1"

**UT-HS031:** standard

**UT-HS032:** con inserti in metallo duro

Cutter for tool UT-HS030 Ø 1"

**UT-HS031:** standard

**UT-HS032:** with hard metal inserts

Fraise pour outil UT-HS030 Ø 1"

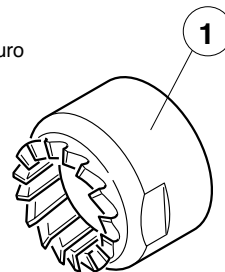
**UT-HS031:** standard

**UT-HS032:** avec inserts métal dur

Ø 1" Fräser für UT-HS030 Werkzeug

**UT-HS031:** Standard

**UT-HS032:** mit aufgetragenen Hartmetallplättchen

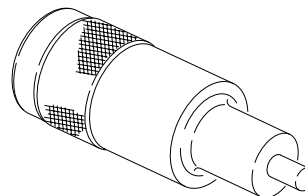


## HEADSET



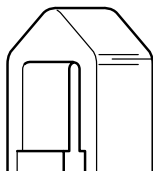
### UT-HS080

Calibro controllo sede cono forcelle Ø 26,4 mm  
Gauge for checking fork cone seat 26,4 mm Ø  
Calibre de contrôle siège cône de fourche Ø 26,4 mm  
Kontrollehre für Gabelkonussitz Ø 26,4 mm



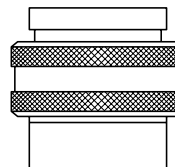
### UT-HS100

Attrezzo montaggio serie sterzo Ø 1" per canotto non filettato  
Tool for installing Ø 1" headset for unthreaded steerers  
Outil pour montage jeu de direction Ø 1" pour tube de fourche non fileté  
Werkzeug zur Ø 1" Steuersatzmontage für gewindelosen Gabelschaft



### UT-HS060

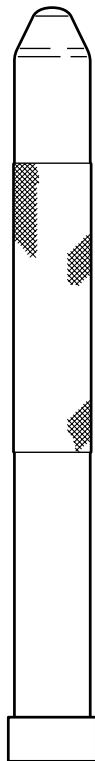
Estrattore cono forcella serie sterzo  
Headset crown race remover  
Extracteur cône de fourche pour jeux de directions  
Abschläger für Gabelkonus für Steuersatz



### UT-HS070

Calibro controllo sedi coni e calotte sterzi 1"  
Gauge for checking cone and cup seats 1" headsets  
Calibre de contrôle sièges cônes et cuvettes jeux de directions 1"  
Kontrollehre für Gabelkonus und 1" Steuerschalensitz

## HEADSET



### UT-HS040

Punzone per montaggio cono forcella, per serie sterzo Ø 1"

Punch for installing fork cone, for Ø 1" headset

Outil pour montage cône de fourche, pour jeux de directions Ø 1"

Aufschläger für Montage von Gabelkonus, für Ø 1" Steuersatz

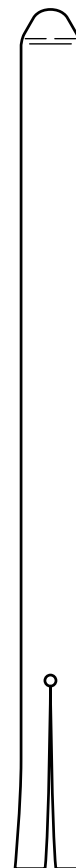
### UT-HS050

Estrattore calotta inferiore e cono superiore, per serie sterzo Ø 1"

Extractor for lower headset cup and race, for Ø 1" headset

Extracteur cuvette inférieure et cône supérieur, pour jeux de directions Ø 1"

Austreiber für oberen Konus und untere Lagerschale, für Ø 1" Steuersatz



## ***BOTTOM BRACKET***

### **UT-BB045**

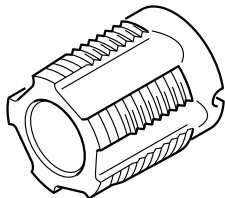
Maschio filetto italiano (1 pz.)  
Tap for Italian thread (1pc.)  
Taraud filetage italien (1 pc.)  
ITA Gewindeschneider (1 St.)

### **UT-BB046**

Maschio filetto inglese destro (1 pz.)  
Tap for English thread right-hand (1pc.)  
Taraud filetage anglais droit (1 pc.)  
BSA Gewindeschneider rechts (1 St.)

### **UT-BB047**

Maschio filetto inglese sinistro (1 pz.)  
Tap for English thread left-hand (1pc.)  
Taraud filetage anglais gauche (1 pc.)  
BSA Gewindeschneider links (1 St.)



Atrezzo per filettatura scatola movimento centrale con 2 maschi

**UT-BB040:** Filetto italiano

**UT-BB041:** Filetto inglese

Tool for threading bottom bracket housing with 2 taps

**UT-BB040:** Italian thread

**UT-BB041:** English thread

Outil pour le filetage de la boîte de pédalier avec 2 tarauds

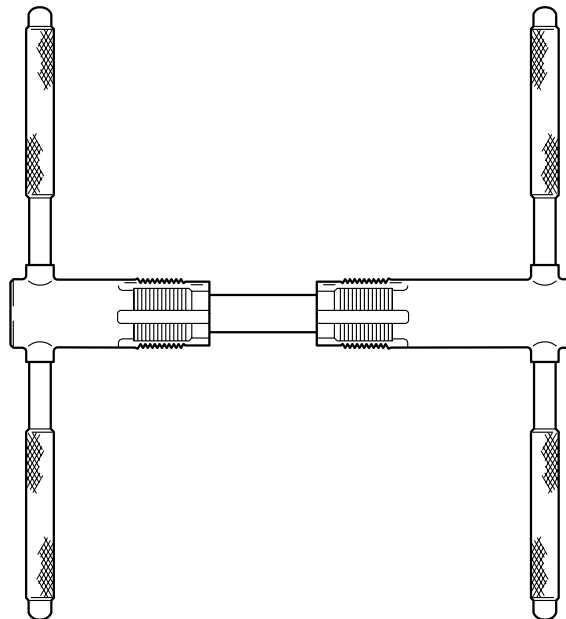
**UT-BB040:** filetage italien

**UT-BB041:** filetage anglais

Tretlager-Gewindeschneid-Werkzeug mit 2 Gewindeschneider mit:

**UT-BB040:** ITA Gewinde

**UT-BB041:** BSA Gewinde



## **BOTTOM BRACKET**

**UT-BB052:** 2 manicotti filettati di guida per attrezzo UT-BB050, italiano

**UT-BB053:** 2 manicotti filettati di guida per attrezzo UT-BB051, inglese

**UT-BB052:** Inner and outer thread guide for UT-BB050, IT thread

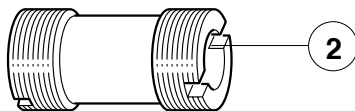
**UT-BB053:** Inner and outer thread guide for UT-BB051, BSC thread

**UT-BB052:** 2 manchons filetés de guide pour outils UT-BB050 fil. Italien

**UT-BB053:** 2 manchons filetés de guide pour outils UT-BB051 fil. anglais

**UT-BB052:** 2 Gewindemuffen zur Führung Werkzeuge UT-BB050, ITA

**UT-BB053:** 2 Gewindemuffen zur Führung Werkzeuge UT-BB051, BSA



Fresa per attrezzi UT-BB050 e UT-BB051

**UT-BB054:** Fresa standard

**UT-BB055:** Fresa con inserti metallo duro

Cutter for tools UT-BB050 and UT-BB051

**UT-BB054:** standard cutter

**UT-BB055:** cutter with hard metal inserts

Atrezzo fresatura piani scatola movimento centrale con fresa standard (1) e 2 manicotti filettati (2)

**UT-BB050:** Filetto italiano

**UT-BB051:** Filetto inglese

Bottom bracket facing set with standard cutter (1) and 2 - inner and outer - thread guide (2)

**UT-BB050:** Italian thread

**UT-BB051:** English thread

Outil fraisage faces boîte de pédalier avec fraise standard (1) et 2 manchons filetés de guide (2)

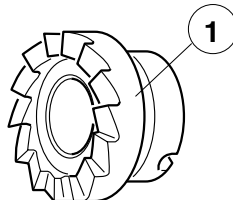
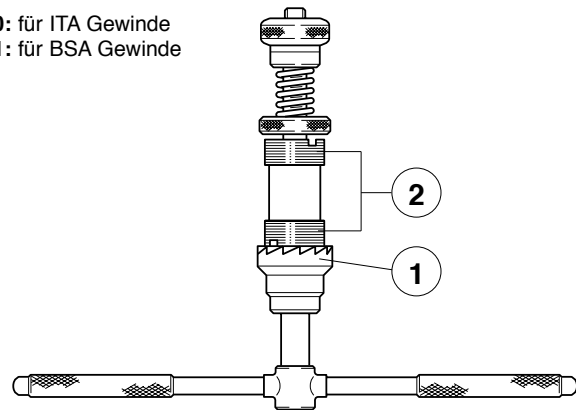
**UT-BB050:** filetage italien

**UT-BB051:** filetage anglais

Werkzeug zum Planfräsen des Tretlager-gehäuses mit Standardfräse (1) und 2 Gewindemuffen (2)

**UT-BB050:** für ITA Gewinde

**UT-BB051:** für BSA Gewinde



Fresa per attrezzi UT-BB050 e UT-BB051

**UT-BB054:** Fresa standard

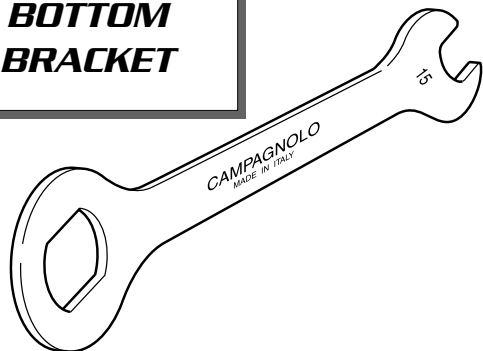
**UT-BB055:** Fresa con inserti metallo duro

Cutter for tools UT-BB050 and UT-BB051

**UT-BB054:** standard cutter

**UT-BB055:** cutter with hard metal inserts

## **BOTTOM BRACKET**

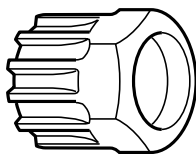
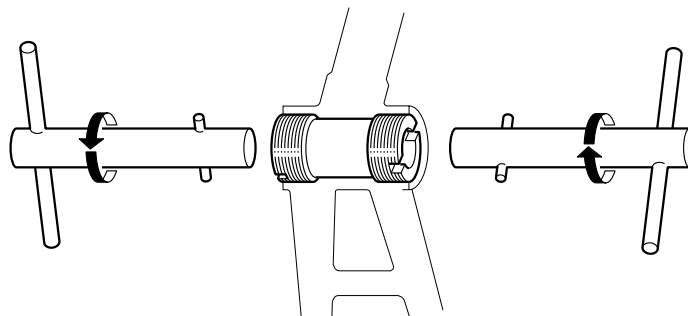


### **UT-BB030**

Chiave per calotta destra movimenti centrali e per montaggio pedali  
Spanner for bottom bracket right-hand cup and installing pedals  
Clé pour cuvette droite jeu de pédalier et montage pédales  
Schlüssel für rechte Innenlagerschalen und Pedal-Montage

### **UT-BB060**

Chiave per montaggio manicotti attrezzi UT-BB050/UT-BB051 (1 pz.)  
Key for BB-thread guides UT-BB050/UT-BB051 (1 pcs.)  
Clé pour montage guides pour outils UT-BB050/UT-BB051 (1 pcs.)  
Rohrschlüssel für Tretlagergewinde-Führungsteile UT-BB050/UT-BB051 (1 Stück)

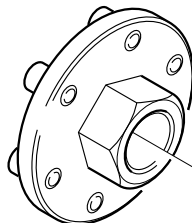


### **UT-BB080 (1 pz.) - 10-UT-BB080 (10 pz.):**

Chiave per montaggio movimenti centrali CART e ghiera di chiusura pacchi pignoni  
Cartridge bottom bracket and sprocket cassette- lock ring remover  
Clé pour montage jeux de pédalier CART et roues-libres à cassette  
Schlüssel zur Montage von Patronen-Tretlager und Schließring für Freilaufzahnkranz

### **UT-BB100**

Utensile per movimenti a cartuccia Daytona/Centaur™, Veloce™ e Mirage™  
Tool for Daytona/Centaur™, Veloce™ and Mirage™ cartridge bottom bracket  
Clé pour jeux de pédalier à cartouche Daytona/Centaur™, Veloce™ et Mirage™  
Montageschlüssel für Daytona/Centaur™, Veloce™ und Mirage™ Patronen-Tretlager





## HEADSET / BOTTOM BRACKET

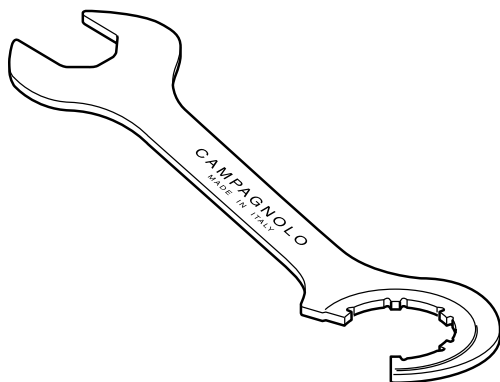


### UT-BB010

Chiave per serie sterzo Ø 1" e calotta sinistra movimento centrale Pista™  
 Spanner for Ø 1" head sets and Pista™ bottom bracket left hand cup  
 Clé pour direction Ø 1" et cuvette réglable jeu de pédalier Pista™  
 Schlüssel für Ø 1" Steuersatz und Stiftschlüssel für Pista™ Tretlagerschale

### UT-BB011

Punta per chiave UT-BB010  
 Pin for UT-BB010  
 Grain pour clé UT-BB010  
 Stift für Schlüssel UT-BB010



### UT-HS010

Chiave per serie sterzo Ø 1" e contranello movimento centrale Pista™  
 Spanner for Ø 1" head sets and Pista™ bottom bracket counter ring  
 Clé pour direction Ø 1" et contre-écrou du jeu de pédalier Pista™  
 Schlüssel für Ø 1" Steuersatz und Pista™ Tretlager-Konterring

## **FRAME PREPARATION**

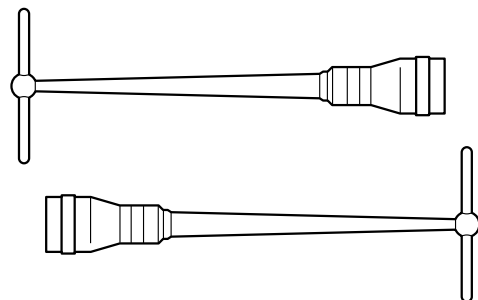
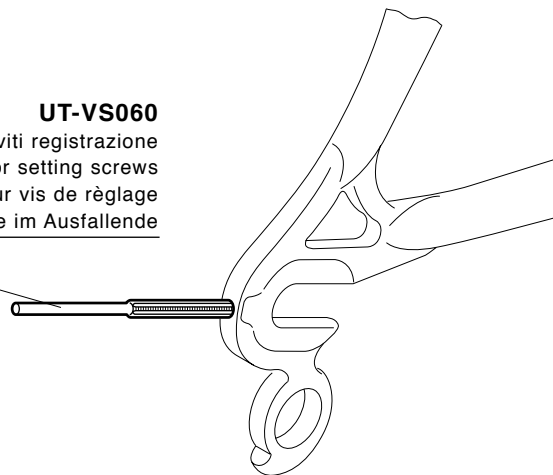
### **UT-VS060**

Maschio M3 x 0,5 per ripasso filetti forcellini per viti registrazione

M3 x 0,5 tap for recutting rear drop-out threads for setting screws

Taraud M3 x 0,5 pour repassage filetage pattes de cadre pour vis de réglage

M3 x 0,5 Gewindebohrer zum Nachschneiden von Stellschraubengewinde im Ausfallende



### **UT-VS120**

Calibro per controllo allineamento forcellini e punte forcelle (2 pz.)

Drop-out alignment set (2 pcs.)

Calibre pour contrôle alignement pattes de cadres et pattes de fourches (2 pcs.)

Werkzeug zum Ausrichten von Gabel- und Ausfallenden (2 St.)

**FRAME  
PREPARATION**

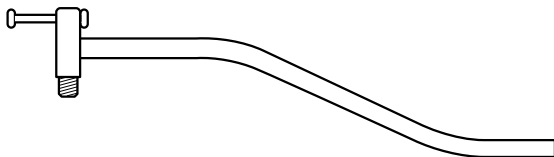
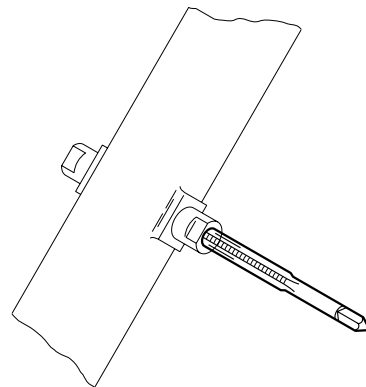
**UT-VS050**

Maschio M5 x 0,8 per ripasso filetti attacchi quadri comandi e attacchi borracce

M5 x 0,8 tap for recutting shifting lever- and bottle cage threads

Taraud M5 x 0,8 pour repassage filetage plots de manettes et attaches bidons

M5 x 0,8 Gewindebohrer zum Nachschneiden der Gewinde für Schalthebel und Trinkflaschenhalter



**UT-VS030**

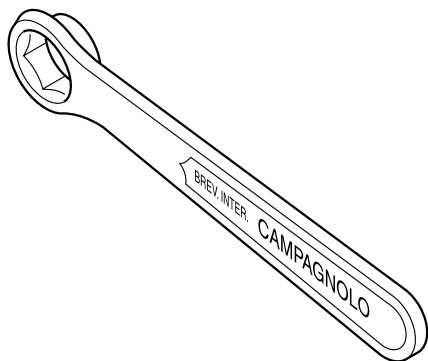
Riscontro allineamento occhiello attacco cambio

Rear derailleur hanger alignment tool

Calibre de contrôle attache de dérailleur arrière

Richtwerkzeug zur Kontrolle von Ausfallende mit Schaltauge

## **CRANKS / CHAINRINGS**



### **UT-FC050**

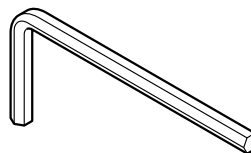
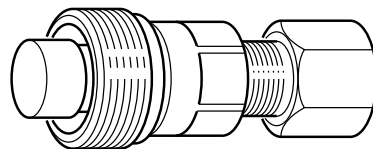
Chiave con esagono da 15 mm per estrattore pedivelle  
15 mm crank bolt spanner  
Clé avec hexagone de 15 mm pour extraire manivelles  
15 mm Schlüssel für Tretkurbelabzieher

### **UT-FC060**

Estrattore pedivelle standard  
Extractor for standard cranks  
Extracteur manivelles standards  
Standard - Tretkurbelabzieher

### **UT-FC070**

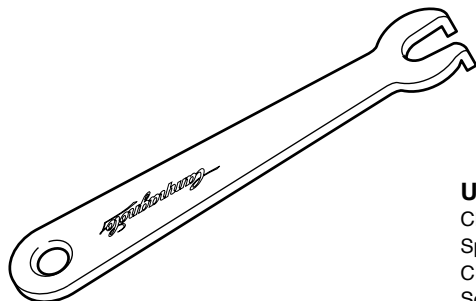
Estrattore pedivelle con filetto a sinistra  
Extractor for cranks with l.h. thread  
Extracteur manivelles avec filetage à gauche  
Trekurbelabzieher mit Linksgewinde



### **UT-FC030**

Chiave a brugola da 5 mm  
5 mm allen key  
Clé à pans creux de 5 mm  
5 mm L-Schlüssel

**CRANKS /  
CHAINRINGS /  
BRAKES**



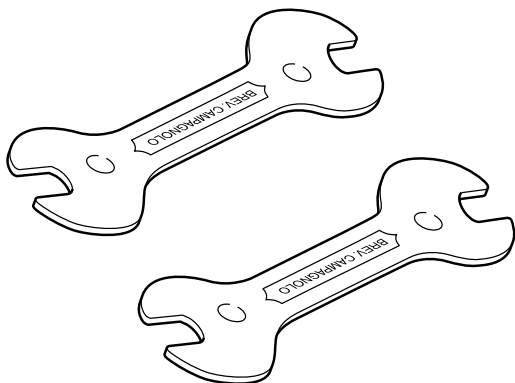
**UT-FC040**

Chiave per dadi fissaggio ingranaggi

Spanner for chainring retaining nuts

Clé pour écrous de fixation plateaux de pédaliers

Schlüssel zur Befestigung von Kettenblattbolzen



**UT-BR010**

Coppia chiavi 13-14 per registrazione freni e coni mozzi

Pair of 13-14 mm spanners for adjusting brakes and hub cones

Paire clés 13-14 pour réglage freins et cônes de moyeux

13-14 mm Schlüssel (2 Stücke) zum Einstellen von Bremsen und Nabelkonen

## **HUBS & WHEELS**

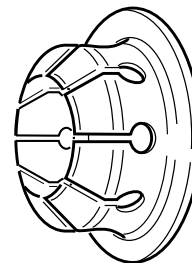
### **UT-HU090**

Attrezzo per montaggio cricchetti ruota libera su mozzi standard e HPW™

Freewheel-pawl assembling tool (standard and HPW™-hubs)

Outil pour montage cliquets de roue-libre sur moyeux standard et HPW™

Werkzeug zur Montage der Kassettenkörper-Sperrklinken (Standard- und HPW™-Nabe)



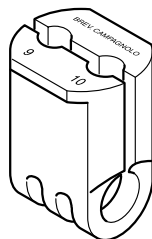
### **UT-HU020**

Pinza per perni filettati mozzi

Hub axle vise

Pince pour axes filetés de moyeux

Klemmvorrichtung für Naben-Achsgewinde



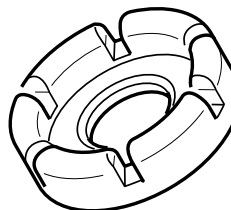
### **UT-HU050**

Tiraraggi

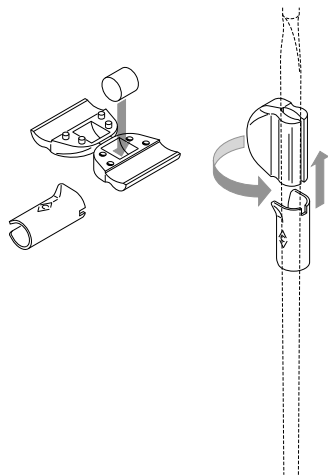
Spoke wrench

Clé à rayons

Speichenschlüssel

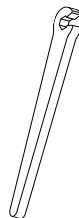


## HUBS & WHEELS



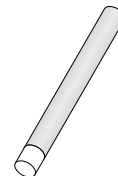
### UT-WH060

Magnete velocità per raggi EURUS™ 06  
SPD magnet for EURUS™ 06 spokes  
Aimant vitesse pour rayons EURUS™ 06



### UT-WH040

Chiave tiraraggi EURUS™ 06  
Spoke wrench EURUS™ 06  
Clé à rayons EURUS™ 06



### UT-WH050

Magnete guida-nipplo  
Nipple guide magnet  
Aimant de guidage écrou

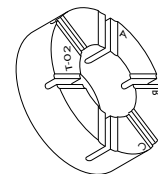


### UT-WH020

Inserto nipplo attira-magnete per EURUS™ 06  
Magnet-attracting nipple insert for EURUS™ 06  
Insert d'écrou pour attirer l'aimant EURUS™ 06

### UT-WH030

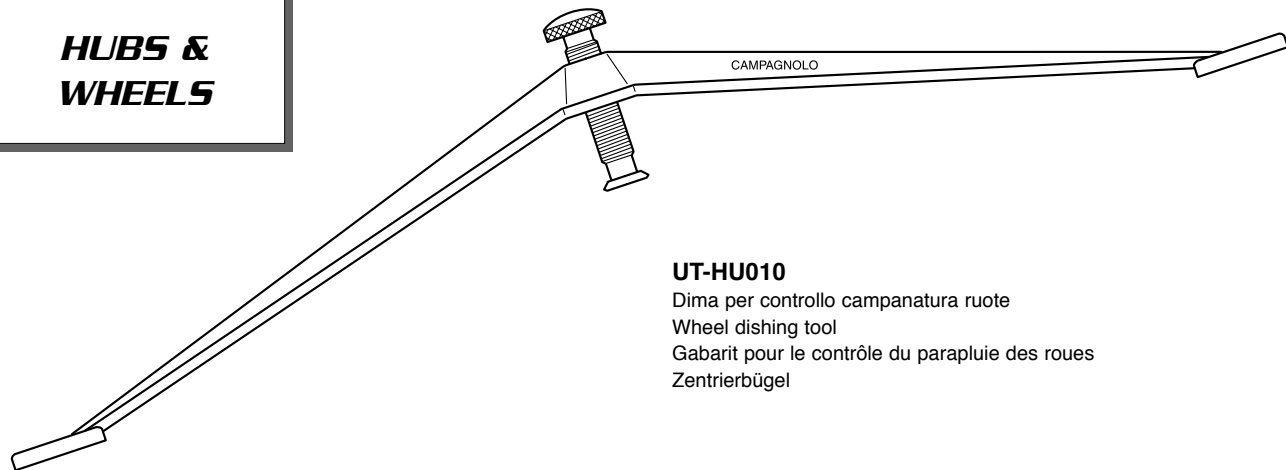
Inserto nipplo attira-magnete per ZONDA™ 06  
Magnet-attracting nipple insert for ZONDA™ 06  
Insert d'écrou pour attirer l'aimant ZONDA™ 06



### UT-WH010

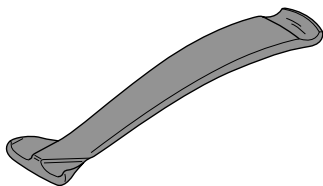
Anello anti-rotazione raggi  
Spoke antirotation ring  
Bague antirotation des rayons

## HUBS & WHEELS



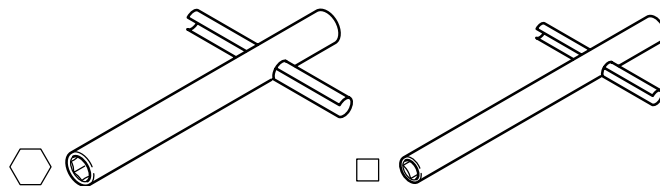
### UT-HU010

Dima per controllo campanatura ruote  
Wheel dishing tool  
Gabarit pour le contrôle du parapluie des roues  
Zentrierbügel



### WH-009HYC

Leva in composito per rimozione copertoncino  
Composite lever for removing clinchers  
Démonte-pneus en composite  
Reifenheber aus Verbundwerkstoff zum Abnehmen des Drahtreifens



### UT-HU070

Chiave con esagono da 5,5 mm per raggi ruote  
5,5 mm nut driver for wheel spokes  
Clé à rayons de 5,5 mm  
5,5 mm Nippelspanner

### UT-HU060

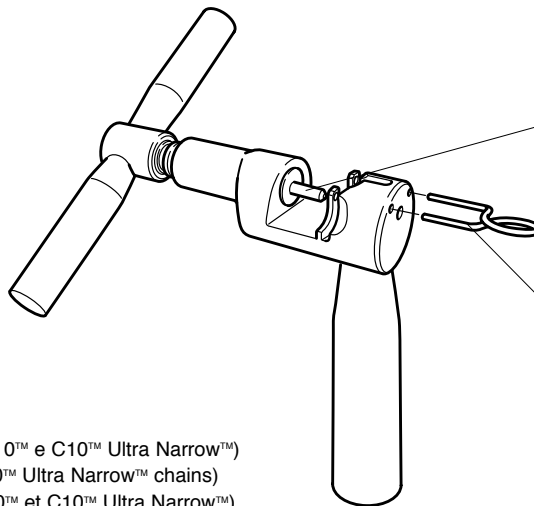
Chiave per raggi ruote Bora™ (fino a gamma '02 - per gamma '03 e succ. vedi pag. 120)  
Bora™ wheel truing tool (till '02 range - from '03 range see page 120)  
Clé à rayons pour Bora™ (jusqu'à la gamme '02 - pour gamme '03 et suivantes p. 120)  
Vierkant-Nippelspanner für Bora™ (bis '02 Produktlinie - ab '03 Produktlinie siehe S. 120)



## SPROCKETS / CHAIN

### CAMPY™ UT-CN200

Utensile per **HD-Link™** (catene C10™ e C10™ Ultra Narrow™)  
 Tool for **HD-Link™** (C10™ and C10™ Ultra Narrow™ chains)  
 Outil pour **HD-Link™** (chaînes C10™ et C10™ Ultra Narrow™)  
 Werkzeug für **HD-Link™** (C10™ und C10™ Ultra Narrow™ Kette)

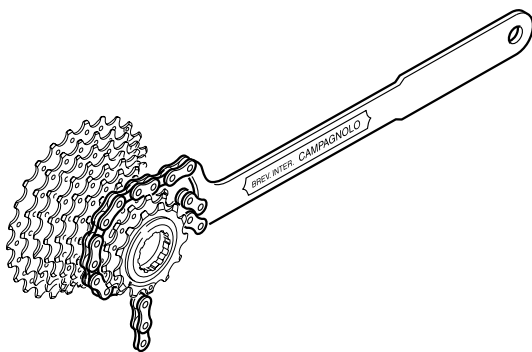


### UT-CN201

Spintore per UT-CN200  
 Pusher for UT-CN200  
 Poinçon pour UT-CN200  
 Schieber für UT-CN200

### UT-CN202

Dispositivo di blocco per UT-CN200  
 Clamping device for UT-CN200  
 Dispositif de blocage pour UT-CN200  
 Sperrvorrichtung für UT-CN200



### UT-CS060

Chiave con catena 10s per smontaggio pignoni 10s, 9s e 8s  
 Spanner with 10s chain for 10, 9 and 8s sprockets  
 Fouet à chaîne 10s pour pignons 10s, 9s et 8s  
 Zahnkranzabnehmer mit Rennkette 10s für 10-, 9- und 8s Ritzeln

ENGLISH	ITALIANO	FRANCAIS	DEUTSCH
BRAKE HOUSING FERRULES	CAPIGUAINA FRENO	BUTEE DE GAINE FREINS	BREMSZUG-ENDKAPPE
CLINCHER	COPERTONCINO	PNEUS ETROIT	DRAHTREIFEN
COMPATIBLE	COMPATIBILE	COMPATIBLE	KOMPATIBEL
FIXED CLEAT	TACCHETTA SENZA GIOCO	CALES SANS JEU	SCHUHPLATTE OHNE SPIEL
FLOATING CLEAT	TACCHETTA CON GIOCO	CALES AVEC JEU	SCHUHPLATTE MIT SPIEL
FRONT (F)	ANTERIORE	AVANT	VORDER
FRONT HUB	MOZZO ANTERIORE	MOYEU AVANT	VR-NABE
FW BODY	CORPO RL	CORPS RL	FREILAUFKÖRPER
LEFT (L)	SINISTRO	GAUCHE	LINKS
LONG	LUNGO	LONGUE	LANG
MEDIUM	MEDIO	MOYEN	MITTELLANG
NOT COMPATIBLE	NON COMPATIBILE	NON COMPATIBLE	NICHT KOMPATIBEL
ONLY	SOLO	SEULEMENT	NUR
PREVIOUS	PRECEDENTE	PRECEDENT	VORHERGEHEND
PRODUCT RANGE	GAMMA PRODOTTI	GAMME PRODUITS	PRODUKTLINIE
REAR (R)	POSTERIORE	ARRIERE	HINTER
REAR HUB	MOZZO POSTERIORE	MOYEU ARRIERE	HR-NABE
RIGHT (R)	DESTRO	DROIT	RECHTS
SHORT	CORTO	COURT	KURZ
SPRING	MOLLA	RESSORT	FEDER
SPACER	DISTANZIALE	ENTRETOISE	DISTANZRINGE
SPOKE	RAGGIO	RAYON	SPEICHE
THREAD	FILETTO	FILETAGE	GEWINDE
TUBULAR	TUBOLARE	BOYAU	SCHLAUCHREIFEN

### **Avviso Importante su PRESTAZIONI, SICUREZZA E GARANZIA**

I componenti delle trasmissioni 9s e 10s, gli impianti frenanti, e la maggior parte dei componenti Campagnolo®, sono progettati come un unico sistema integrato. Per non compromettere la SICUREZZA, le PRESTAZIONI, la LONGEVITA', la FUNZIONALITA' e per non invalidare la GARANZIA, vi raccomandiamo di utilizzare **esclusivamente** i componenti specificati dalla Campagnolo Srl, senza interfacciarli o sostituirli con prodotti fabbricati da altre aziende.

### **Important PERFORMANCE, SAFETY and WARRANTY Notice**

The components of the 9s and 10s drivetrains, the braking systems, and most Campagnolo® components, are designed as a single integrated system. To avoid compromises in terms of SAFETY, PERFORMANCE, DURABILITY, FUNCTION, and to prevent voiding the WARRANTY, we recommend that you **only** use the components specified by Campagnolo Srl, without interfacing them with or substituting them with products manufactured by other companies.

### **Notice important sur PERFORMANCES, SECURITE ET GARANTIE**

Les composants des transmissions 9s et 10s, les freins et la plus part des composants Campagnolo®, sont projetés come un seul système intégré. Pour ne pas compromettre la SECURITE, les PERFORMANCES, la LONGEVITE, la FONCTIONNALITE et pour ne pas invalider la GARANTIE, on vous recommande **de n'utiliser que** les composants spécifiés par Campagnolo Srl, sans les relier avec ou les remplacer par des produits fabriqués par d'autres sociétés.

### **Wichtiger Hinweis zu PRODUKTLEISTUNG, SICHERHEIT und GARANTIE**

Die Komponenten der 9s und 10s Antriebssysteme, des Bremssystems, sowie Großteil der von Campagnolo® hergestellten Komponenten, wurden als Bestandteile eines integrierten Systems entwickelt. Um die SICHERHEIT, die LEISTUNG, die DAUER, die FUNKTIONSTÜCHTIGKEIT und die GARANTIE nicht zu beeinträchtigen, empfehlen wir den **ausschließlichen** Gebrauch der von Campagnolo Srl spezifizierten Bestandteile und diese nicht mit Produkten anderer Hersteller zu ersetzen oder zu kombinieren.

### **Avviso Importante sobre PRESTACIONES, SEGURIDAD Y GARANTÍA.**

Los componentes de las transmisiones 9s y 10s, los sistemas de frenado, y la mayor parte de componentes Campagnolo®, han sido ideados como un único sistema integrado. Con el fin de no comprometer la SEGURIDAD, las PRESTACIONES, la LONGEVIDAD, la FUNCIONALIDAD y no invalidar la GARANTÍA, os aconsejamos utilizar **exclusivamente** los componentes especificados por Campagnolo Srl, sin combinarlos o sustituirlos con productos fabricados por otras empresas.

Campagnolo, Campy, Record, Chorus, EPS, CT, Centaur, Veloce, Mirage, Xenon, Hyperon, Neutron, Proton, Eurus, Zonda, Scirocco, Vento, Bora, Ghibli, Pista, Time Trial, Ergobrain, Superlative, Floating-Link-Action, HD-Link, HD-L, Exa-Drive, Ultra-Drive, Pro-Fit, Pro-Fit PLUS, Differential brakes, Threadless, Hiddenset, Hiddenset TTC, TTC, Ergopower, BB System, C10, C9, ED, UD, Ultra Narrow, HPW, G3, Grouped Spokes, DPRO, Dual Profile, Ultralinear-Geometry, Ultralinear, Differential rims, Differential spokes, Asymmetric, Ultra, Ultra Aero, Full Carbon, Multidirectional, Unidirectional, AC-H, AC-S, SC-S, Big, Miro, Pro-Shop, Tecnologia ed Emozione are Campagnolo S.r.l. Trademarks.

---

## ITALY - Central Service Center

---

### CAMPAGNOLO SRL HEADQUARTERS

Via della Chimica, 4 - 36100 VICENZA

Phone: +39-0444-225605

Fax: +39-0444-225606

E-mail: service@campagnolo.com

---

## AUSTRALIA

---

### CYCLING PROJECTS

Shop 1 - 86 King Street,

NSW 2193 Ashbury

Phone: +61-2-97992407

Fax: +61-2-97879940

---

## AUSTRIA

---

### CAMPAGNOLO DEUTSCHLAND GMBH

Alte Garten 60-62

51371 LEVERKUSEN - DEUTSCHLAND

Phone: +49-214-206953-20

Fax: +49-214-206953-15

---

## BENELUX

---

### I.C.C. - INTERNATIONAL CYCLE CONNECTION

Weststraat 42 - P.O. Box 73

4527 ZH AARDENBURG - Netherlands

Phone: +31-117-492820

Fax: +31-117-492835

---

## CANADA

---

### CYCLES MARINONI INC

1067, Levis - LACHENAIE - QUEBEC J6W 4L2

Phone: +1-450-4717133

Fax: +1-450-4719887

### GREAT WESTERN BICYCLE CO. LTD.

233 West Broadway

VANCOUVER BC V5Y 1P5

Phone: +1-604-8722424

Fax: +1-604-87202226

---

## CZECH REPUBLIC

---

### KOLA SIRER

P.O. Box 107 - 26601 BEROUN 1

Phone: 00420-311-621355

Fax: 00420-311-625492

---

## DENMARK

---

### MARKER SCANDINAVIA

Industrivej 1D - DK-4000

Roskilde - DENMARK

Phone: +45-70228075

Fax: +45-46498088

---

## FINLAND

---

### MARKER SCANDINAVIA

Industrivej 1D - DK-4000

Roskilde - DENMARK

Phone: +45-70228075

Fax: +45-46498088

---

## FRANCE

---

### CAMPAGNOLO FRANCE EURL

ZA du Tissot - 42530 St Genest - Lerpt

Phone: +33-(0)477-556305

Fax: +33-(0)477-556345

---

## GERMANY

---

### CAMPAGNOLO DEUTSCHLAND GMBH

Alte Garten 60-62

51371 LEVERKUSEN - DEUTSCHLAND

Phone: +49-214-206953-20

Fax: +49-214-206953-15

---

## GREECE

---

### CYCLES FIDUSA - GIORGIO VOYATZIS & CO.

Th. Sofuli 97 - 85100 RHODOS

Phone: +30-241-021264

Fax: +30-241-021519

---

## JAPAN

---

### CAMPAGNOLO JAPAN LTD

65 Yoshida-cho, Naka-ku, Yokohama

231-0041 JAPAN

Phone: +81-45-264-2780

Fax: +81-45-241-8030

---

## NEW ZEALAND

---

### WH WORRALL CO. LTD.

43 Felix St./Penrose - P.O. Box 12481

AUCKLAND

Phone: +64-9-6360641

Fax: +64-9-6360631

**NORWAY****MARKER SCANDINAVIA**

Industrivej 1D - DK-4000  
 Roskilde - DENMARK  
 Phone: +45-70228075  
 Fax: +45-46498088

**SLOVAC REPUBLIC****ZANZO S.R.O.**

02334, Kysucky Lieskovec 421  
 82107 BRATISLAVA  
 Tel. +421-245-523721  
 Fax +421-245-249404

**SOUTH AFRICA****CYCLING J&J (PTY) LTD.**

169 Meerlust Street  
 Willow Glen - PRETORIA  
 Tel. +27-012-8075570  
 Fax +27-012-8074267

**SPAIN****CAMPAGNOLO IBERICA S.L.**

Avda. de Los Huetos 46 Pab. 31  
 01010 VITORIA  
 Phone: +34-945-217195  
 Fax: +34-945-217198

**SWEDEN****MARKER SCANDINAVIA**

Industrivej 1D - DK-4000  
 Roskilde - DENMARK  
 Phone: +45-70228075  
 Fax: +45-46498088

**SWITZERLAND****PIERO ZURINO AG**

Flawilerstrasse 3a  
 9500 WIL SG  
 Phone: +41-71-9236001  
 Fax: +41-71-9236353

**U.G.D. SPORT DIFFUSION S.A.**

La Taille - 2053 CERNIER  
 Phone: +41-32-8536363  
 Fax: +41-32-8536464

**UNITED KINGDOM****ITALIAN CYCLE PRODUCTS LIMITED**

Unit 3, Napoleon Business Park  
 Wheterby Road - DERBY - DE24 8HL  
 Phone: +44-01332-371176  
 Fax: +44-01332-371179

**UNITED STATES****CAMPAGNOLO NORTH AMERICA INC.**

2105 Camino Vida Roble, Suite L  
 CARLSBAD - CA 92011  
 Phone: +1-760-9310106  
 Fax: +1-760-9310991

**UNITED STATES (continued)****OCHSNER INT. INC.**

246 E. Marquardt Drive  
 WHEELING - IL 60090-6430  
 Phone: +1-760-9310106  
 Fax: +1-760-9310991

**QUALITY BICYCLES PRODUCTS**

6400 W. 105th Street  
 BLOOMINGTON - MN 55438-2554  
 Phone: +1-952-941-9391  
 Fax: +1-952-941-9799

**THE HAWLEY COMPANY, INC.**

1181 South Lake Drive  
 LEXINGTON - SC 29073-7744  
 Tel. +1-803.359.3492 x 192  
 Fax +1-803.359.1343