

# 2019 SPARE PARTS



# 2019 SPARE PARTS & TOOLS

## ROAD - RIM BRAKE

SPEED 55T	4
SPEED 55C	6
SPEED 40T	8
SPEED 40C	10
RACING ZERO CARBON	12
RACING ZERO COMPETIZIONE	14
RACING ZERO NITE	16
RACING ZERO	18
RACING 3	20
RACING QUATTRO CARBON	22
RACING 4 / 400	24
RACING 5 / 500	26
RACING 6 / 600	28
RACING SPORT	30
SPEED 360T	32
VALVE EXTENSIONS	33

# 2019 SPARE PARTS & TOOLS

## ROAD - DISC BRAKE

SPEED 40T DB	34
SPEED 55T DB	36
RACING ZERO DB	38
RACING ZERO CARBON DB	42
RACING QUATTRO CARBON DB	44
RACING 4 DB / 400 DB	46
RACING 5 DB / 500 DB	48
RACING 6 DB / 600 DB	50
RACING 7B DB / 700B DB	52
RACING 7 DB / 700 DB	54

## FW BODIES - ROAD WHEELS

56

## ROAD ADAPTERS - DISC BRAKE

58

## MTB WHEELS

RED PASSION	60
RED PASSION 3	64
RED ZONE 5 / 500	72
RED ZONE 7 / 700	80
RED FIRE 5 / 500	88

# 2019 SPARE PARTS & TOOLS

## E-MTB WHEELS

E-METAL 3 / 300	94
E-METAL 5 / 500	96
E-FIRE 3 / 300	100
E-METAL 5 / 500	102

## MTB ADAPTERS

104

## QUICK-RELEASES

107

## TOOLS & ACCESSORIES

108

## CUSTOM WHEELS

111

# SPEED™ 55T tubular

## RIMS & SPOKES/CERCHI E RAGGI

### RIM

	FRONT RIM	RSF-TRK5518 (with labels)
	REAR RIM	RSR-TRK5518 (with labels)
VALVE HOLE	6,5 mm	
VALVE HOLE BUSHING	RWX-014 (5 pcs)	
VALVE HOLE EXTENSION	T-26	
DIAMETER	634 mm	
BRAKE SHOES	for carbon rims - BR-B0500 (for brakes with retention spring or interference fixing) - BR-B0500X1 (for brakes with screw fixing)	

### SPOKES

FRONT SPOKE	RS-01655	4 spokes + 4 nipples
REAR RIGHT SPOKE	RS-01855	4 spokes + 4 nipples
REAR LEFT SPOKE	RS-01955	4 spokes + 4 nipples
NIPPLES	RWX-B	black - 10 pcs
TOOL	T-11	magnet-attractor insert for nipple
TOOL	T-05	nipple-guide magnet
TOOL	T-18	spoke spanner
TOOL	T-02	spoke anti-rotation

### ACCESSORIES

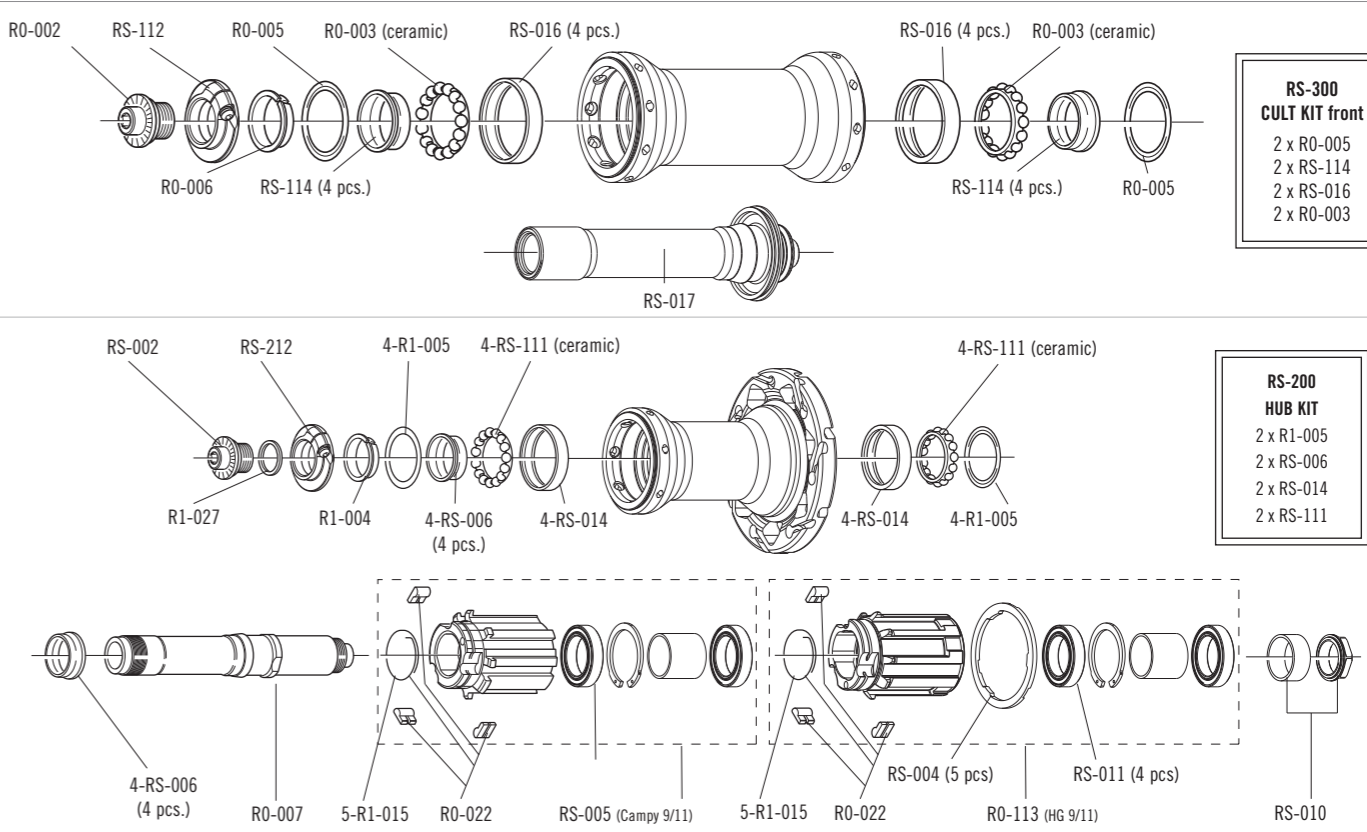
Spacer for HG11 FW body	RS-004	5 pcs - to be used only with 9/10s sprockets <i>(please note that every HG11 rear wheel/HG11 FW body package contains the spacer)</i>
-------------------------	--------	--

### ⚠ WARNING!

Due to the high temperatures reached when braking, we recommend you use only glue for tubular tires specifically for carbon fibre rims.  
A causa delle alte temperature raggiunte in frenata, vi consigliamo di utilizzare solamente colla per tubolari che sia specifica per i soli cerchi in fibra di carbonio.

# SPEED™ 55T tubular

## HUBS/MOZZI



**RS-300  
CULT KIT front**

- 2 x R0-005
- 2 x RS-114
- 2 x RS-016
- 2 x R0-003

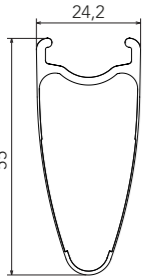
**RS-200  
HUB KIT**

- 2 x R1-005
- 2 x RS-006
- 2 x RS-014
- 2 x RS-111

# SPEED™ 55C clincher

## RIMS & SPOKES/CERCHI E RAGGI

### RIM

	FRONT RIM	RSF-CRK5518 (with labels)
	REAR RIM	RSR-CRK5518 (with labels)
	VALVE HOLE	6,5 mm
	VALVE HOLE BUSHING	RWX-014 (5 pcs)
	VALVE HOLE EXTENSION	T-26
	DIAMETER	622 x 17C
	BRAKE SHOES	for carbon rims - BR-B0500 (for brakes with retention spring or interference fixing) - BR-B0500X1 (for brakes with screw fixing)

### SPOKES

FRONT SPOKE	RS-01655	4 spokes + 4 nipples
REAR RIGHT SPOKE	RS-01855	4 spokes + 4 nipples
REAR LEFT SPOKE	RS-01955	4 spokes + 4 nipples
NIPPLES	RWX-B	black - 10 pcs
TOOL	T-11	magnet-attractor insert for nipple
TOOL	T-05	nipple-guide magnet
TOOL	T-18	spoke spanner
TOOL	T-02	spoke anti-rotation

### ACCESSORIES

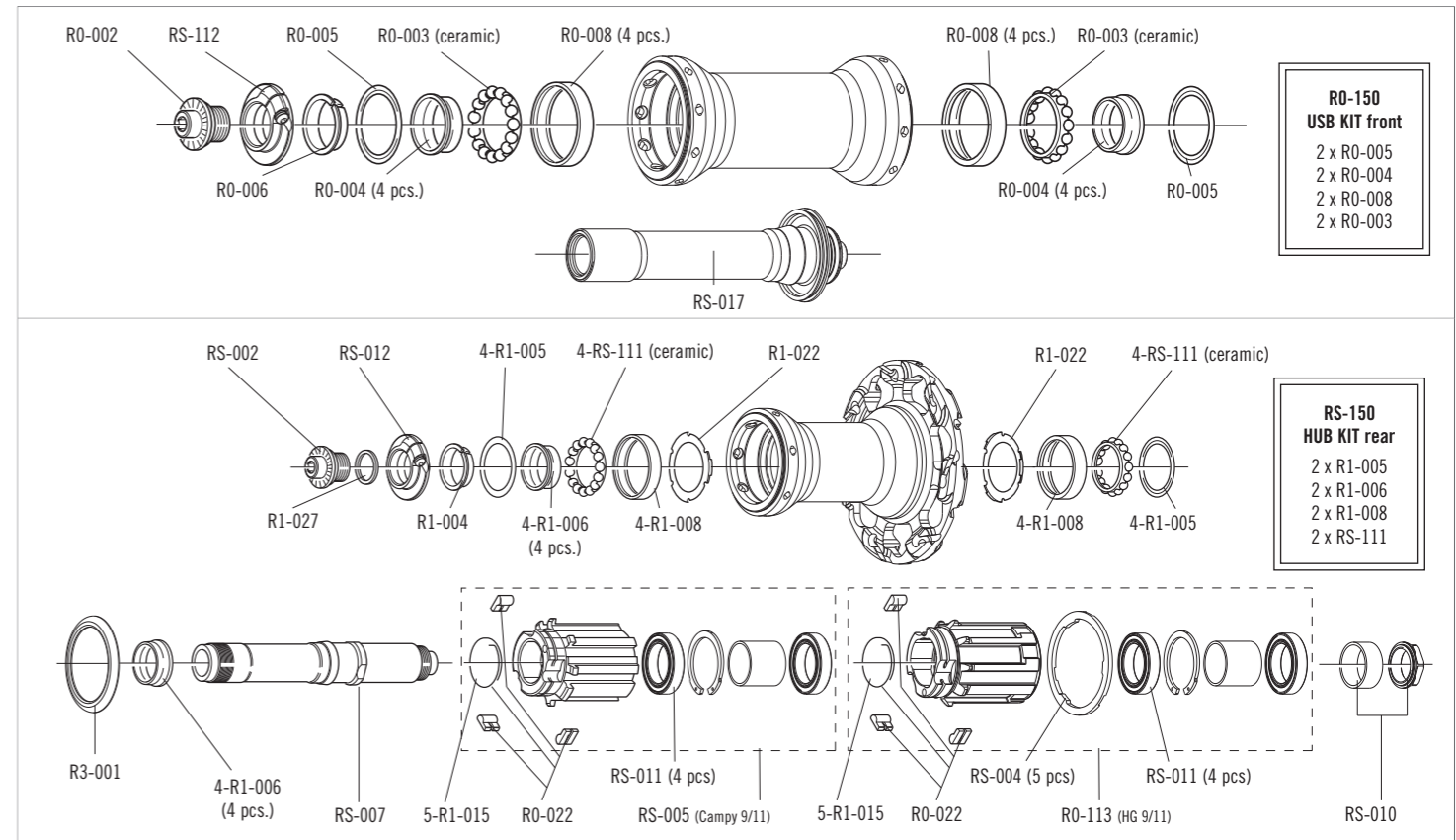
Spacer for HG11 FW body	RS-004	5 pcs - to be used only with 9/10s sprockets <i>(please note that every HG11 rear wheel/HG11 FW body package contains the spacer)</i>
-------------------------	--------	--

### ⚠ WARNING!

Due to the high temperatures reached when braking, we recommend you use only glue for tubular tires specifically for carbon fibre rims.  
A causa delle alte temperature raggiunte in frenata, vi consigliamo di utilizzare solamente colla per tubolari che sia specifica per i soli cerchi in fibra di carbonio.

# SPEED™ 55C clincher

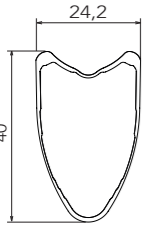
## HUBS/MOZZI



# SPEED™ 40T tubular

## RIMS & SPOKES/CERCHI E RAGGI

### RIM

	FRONT RIM	SPF-TR4018 (with labels)
	REAR RIM	SPR-TR4018 (with labels)
VALVE HOLE	6,5 mm	
VALVE HOLE BUSHING	RWX-014 (5 pcs)	
DIAMETER	634 mm	
BRAKE SHOES	for carbon rims - BR-B0500 (for brakes with retention spring or interference fixing) - BR-B0500X1 (for brakes with screw fixing)	

### SPOKES

FRONT SPOKE	RS-01640	4 spokes + 4 nipples
REAR RIGHT SPOKE	RS-01840	4 spokes + 4 nipples
REAR LEFT SPOKE	RS-01940	4 spokes + 4 nipples
NIPPLES	RWX-B	black - 10 pcs
TOOL	T-11	magnet-attractor insert for nipple
TOOL	T-05	nipple-guide magnet
TOOL	T-18	spoke spanner
TOOL	T-02	spoke anti-rotation

### ACCESSORIES

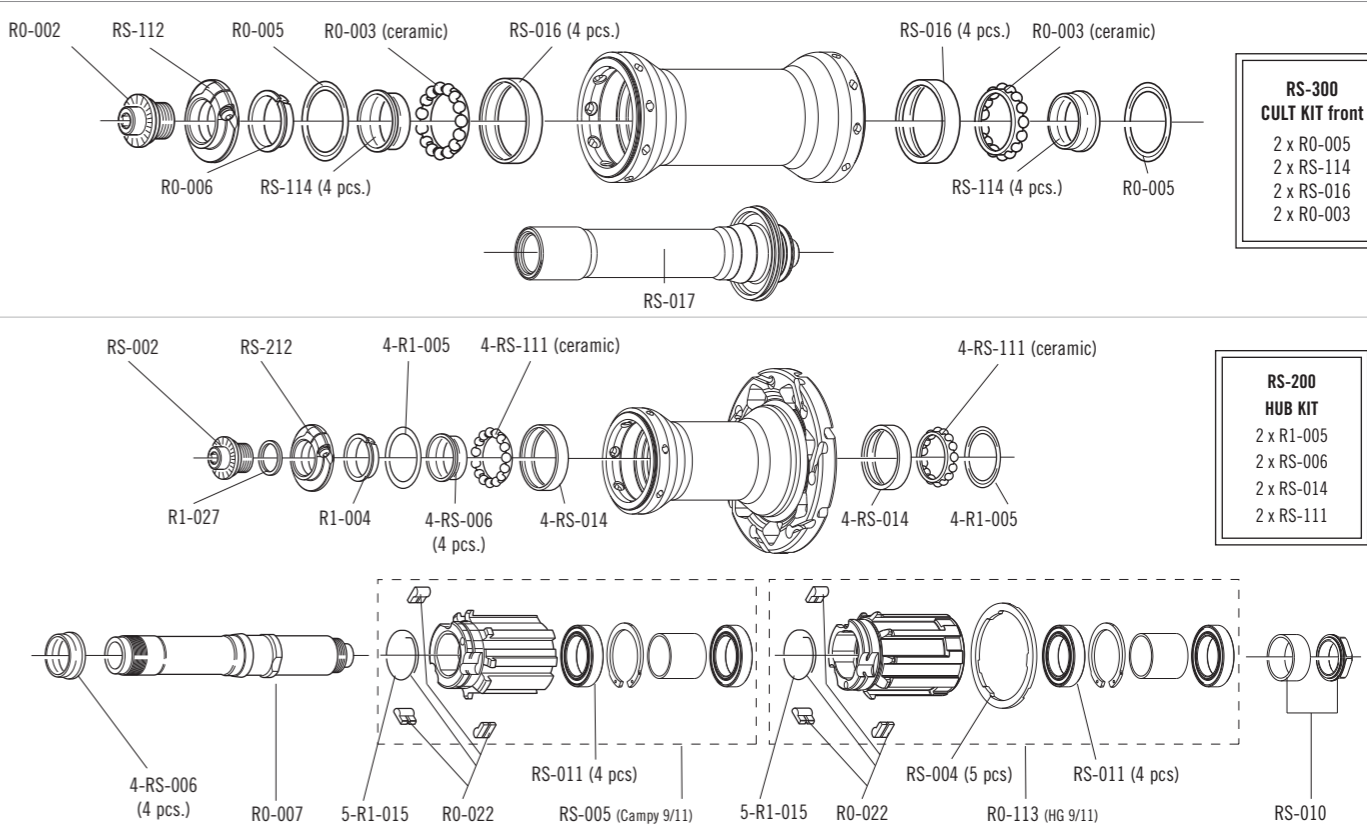
Spacer for HG11 FW body	RS-004	5 pcs - to be used only with 9/10s sprockets (please note that every HG11 rear wheel/HG11 FW body package contains the spacer)
-------------------------	--------	---

### ! WARNING!

Due to the high temperatures reached when braking, we recommend you use only glue for tubular tires specifically for carbon fibre rims.  
A causa delle alte temperature raggiunte in frenata, vi consigliamo di utilizzare solamente colla per tubolari che sia specifica per i soli cerchi in fibra di carbonio.

# SPEED™ 40T tubular

## HUBS/MOZZI



**RS-300  
CULT KIT front**

- 2 x R0-005
- 2 x RS-114
- 2 x RS-016
- 2 x R0-003

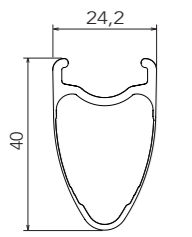
**RS-200  
HUB KIT**

- 2 x R1-005
- 2 x RS-006
- 2 x RS-014
- 2 x RS-111

# SPEED™ 40C clincher

## RIMS & SPOKES/CERCHI E RAGGI

### RIM

	FRONT RIM	SPF-CR4018 (with labels)
	REAR RIM	SPR-CR4018 (with labels)
VALVE HOLE	6,5 mm	
VALVE HOLE BUSHING	RWX-014 (5 pcs)	
DIAMETER	622 mm x 17C	
BRAKE SHOES	for carbon rims - BR-B0500 (for brakes with retention spring or interference fixing) - BR-B0500X1 (for brakes with screw fixing)	

### SPOKES

FRONT SPOKE	RS-01640	4 spokes + 4 nipples
REAR RIGHT SPOKE	RS-01840	4 spokes + 4 nipples
REAR LEFT SPOKE	RS-01940	4 spokes + 4 nipples
NIPPLES	RWX-B	black - 10 pcs
TOOL	T-11	magnet-attractor insert for nipple
TOOL	T-05	nipple-guide magnet
TOOL	T-18	spoke spanner
TOOL	T-02	spoke anti-rotation

### ACCESSORIES

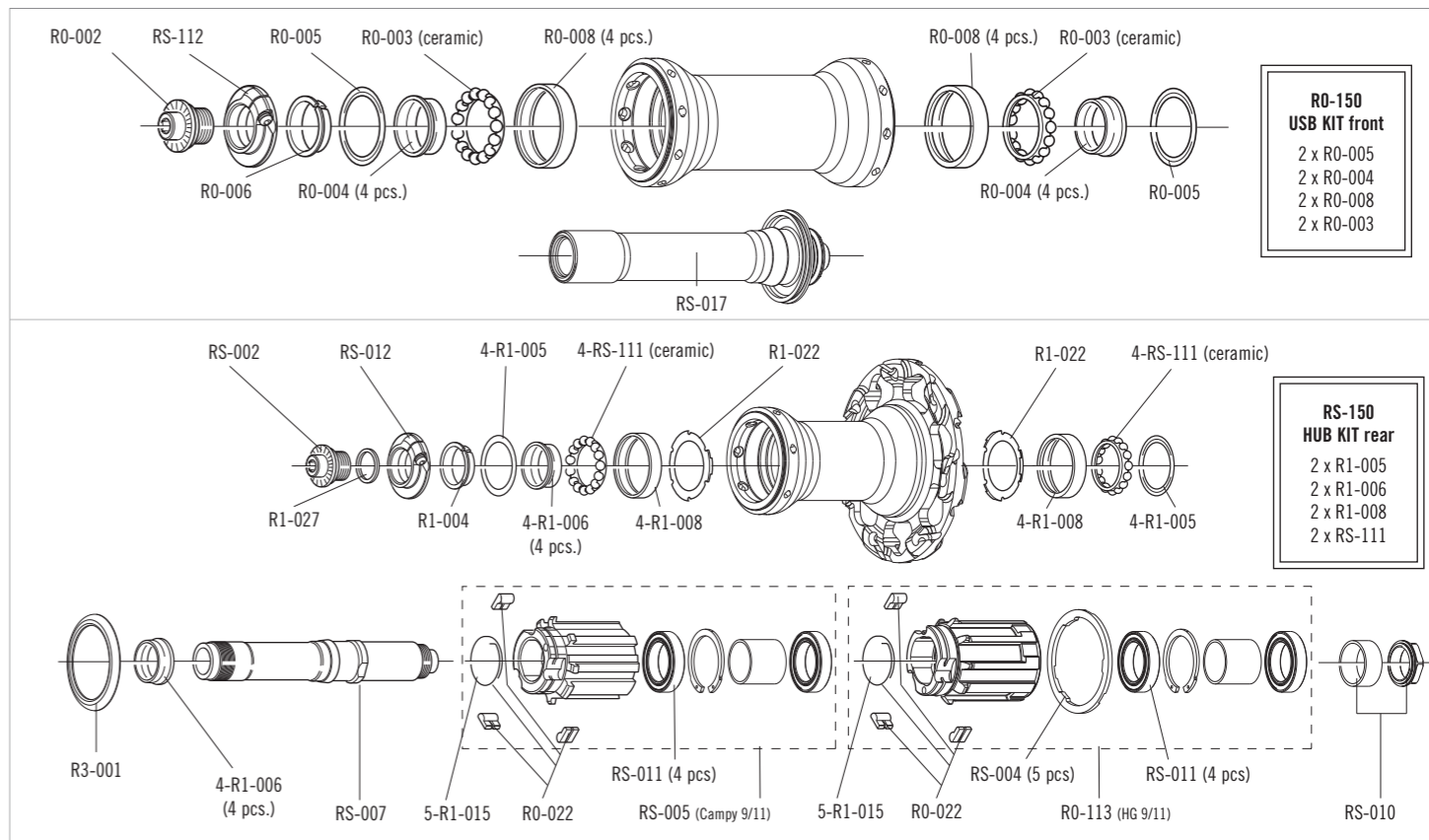
Spacer for HG11 FW body	RS-004	5 pcs - to be used only with 9/10s sprockets <i>(please note that every HG11 rear wheel/HG11 FW body package contains the spacer)</i>
-------------------------	--------	--

### ! WARNING!

Due to the high temperatures reached when braking, we recommend you use only glue for tubular tires specifically for carbon fibre rims.  
A causa delle alte temperature raggiunte in frenata, vi consigliamo di utilizzare solamente colla per tubolari che sia specifica per i soli cerchi in fibra di carbonio.

# SPEED™ 40C clincher

## HUBS/MOZZI

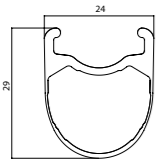


# RACING ZERO™ CARBON CLINCHER

DARK / BRIGHT

## RIMS & SPOKES/CERCHI E RAGGI

### RIM

	FRONT RIM	ROF-CRC31DK (DARK - with labels) - ROF-CRC31 (BRIGHT - with labels)
	REAR RIM	ROR-CRC31DK (DARK - with labels) - ROR-CRC31 (BRIGHT - with labels)
VALVE HOLE	6,5 mm	
VALVE HOLE BUSHING	RO-114 (for valve seat reduction - 5 pcs)	
DIAMETER	622 X 17C	
BRAKE SHOES	for carbon rims - BR-B0500 (for brakes with retention spring or interference fixing) - BR-B0500X1 (for brakes with screw fixing)	

### SPOKES

COMPLETE FRONT KIT	ROF-SKB02	16 front spokes
COMPLETE REAR KIT	ROR-SKB02	14 rear right spokes + 7 rear left spokes
COMPLETE FRONT SPOKE	RO-016S (BRIGHT) - RO-016B (DARK)	spoke + nipple
COMPLETE REAR RIGHT SPOKE	RO-019C (BRIGHT) - RO-018B (DARK)	spoke + nipple
COMPLETE REAR LEFT SPOKE	RO-019S (BRIGHT) - RO-019B (DARK)	spoke + nipple
NIPPLES	RO-115S (BRIGHT) / RO-115B (DARK)	10 pcs
TOOL	T-02	spoke anti-rotation
TOOL	T-03	magnet-attractor insert for nipple
TOOL	T-05	nipple-guide magnet
TOOL	T-07	spoke spanner

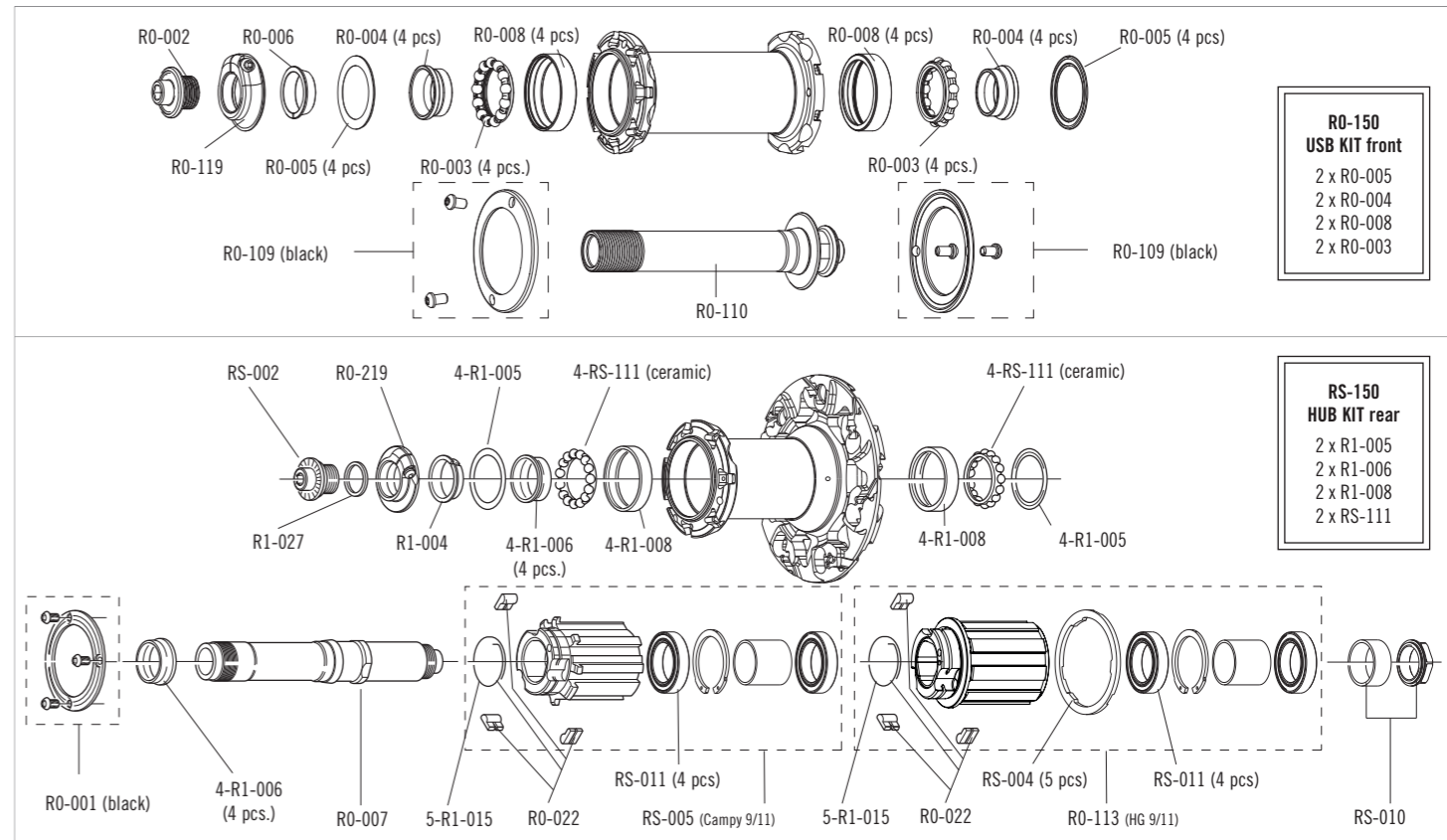
### ACCESSORIES

Spacer for HG11 FW body	RS-004	5 pcs - to be used only with 9/10s sprockets <i>(please note that every HG11 rear wheel/HG11 FW body package contains the spacer)</i>
-------------------------	--------	--

# RACING ZERO™ CARBON CLINCHER

DARK / BRIGHT

## HUBS/MOZZI/MOYEUX





# RACING ZERO™ COMPETIZIONE 2WF

## RIMS & SPOKES/CERCHI E RAGGI

### RIM

	<p>FRONT RIM REAR RIM LABEL KIT VALVE HOLE 2-Way Fit VALVE™ VALVE HOLE BUSHING DIAMETER</p>	<p>R0F-2RB21 (no labels) R0R-2RB21 (no labels) R0-LAB172B (front+rear) 6,5 mm M1-035 5-R0-014 (for valve seat reduction - 5 pcs) 622 x 17C</p>
--	---	--

### SPOKES

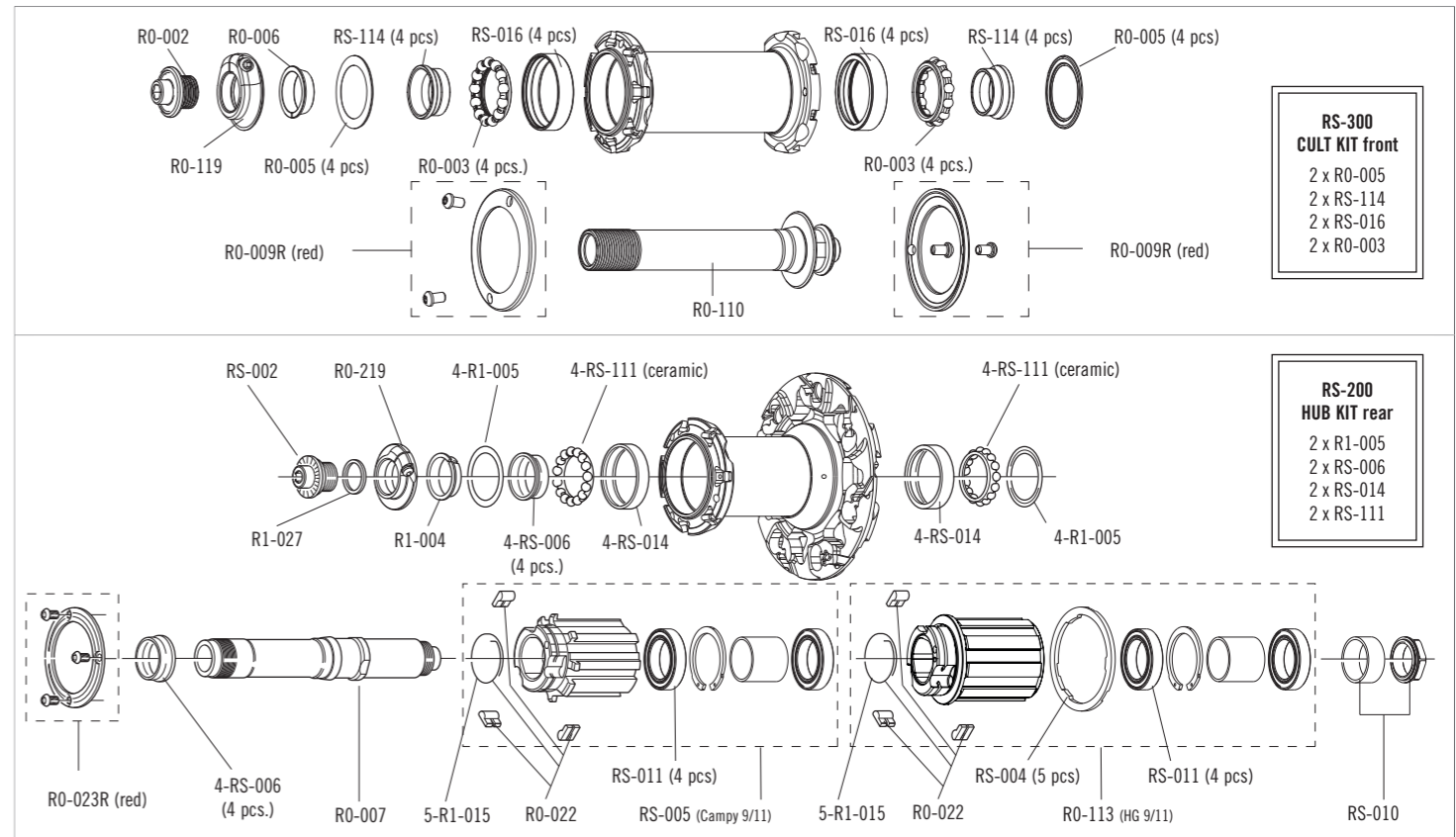
<p>COMPLETE FRONT KIT COMPLETE REAR KIT COMPLETE FRONT BLACK SPOKE COMPLETE REAR RIGHT BLACK SPOKE COMPLETE REAR LEFT BLACK SPOKE COMPLETE FRONT RED SPOKE COMPLETE REAR LEFT RED SPOKE NIPPLES TOOL TOOL TOOL TOOL</p>	<p>R0F-SK201 R0R-SK201 R0-117B R0-118B R0-119B R0-117R R0-119R R0-115 T-02 T-03 T-05 T-07</p>	<p>black&amp;red - 16 front spokes black&amp;red - 14 rear right spokes + 7 rear left spokes black - spoke + nipple black - spoke + nipple black - spoke + nipple red - spoke + nipple red - spoke + nipple 10 pcs spoke anti-rotation magnet-attractor insert for nipple nipple-guide magnet spoke spanner</p>
---	---	---

### ACCESSORIES

<p>Spacer for HG11 FW body</p>	<p>RS-004</p>	<p>5 pcs - to be used only with 9/10s sprockets <i>(please note that every HG11 rear wheel/HG11 FW body package contains the spacer)</i></p>
--------------------------------	---------------	--

# RACING ZERO™ COMPETIZIONE 2WF

## HUBS/MOZZI/MOYEUX



# RACING ZERO™ NITE CLINCHER

## RIMS & SPOKES/CERCHI E RAGGI

### RIM

	<p>FRONT RIM REAR RIM LABEL KIT VALVE HOLE DIAMETER BRAKE SHOES</p>	<p>R0F-CRN11 (no labels) R0R-CRN11 (no labels) R0-LAB17CN (front+rear) 6,5 mm 622 X 17C for rims with Plasma Electrolytic Oxidation treatment: BR-PE05001 (for brakes with retention spring fixing) - BR-PE0500X1 (for brakes with screw fixing)</p>
--	---	--

### SPOKES

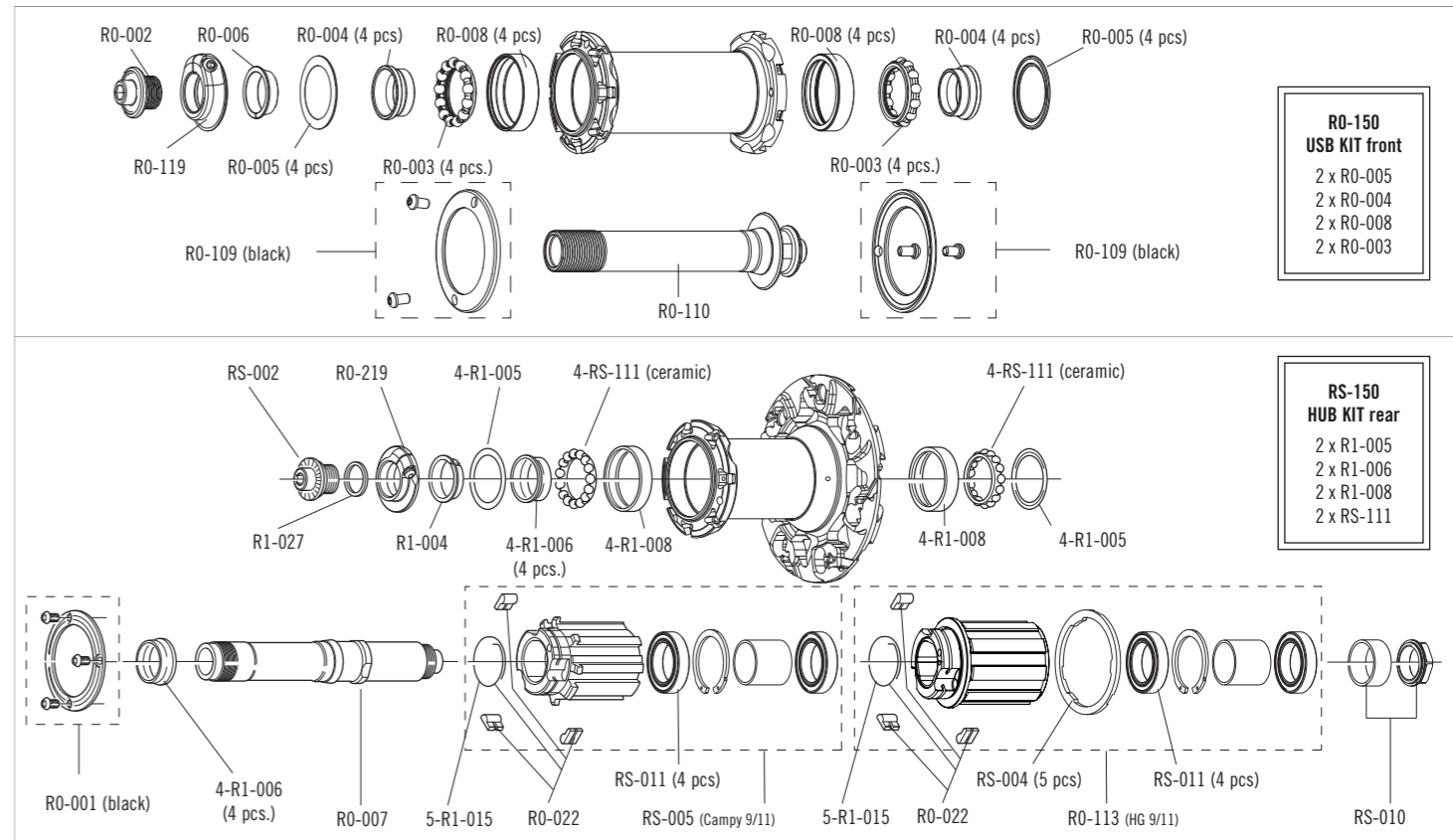
<p>COMPLETE FRONT KIT COMPLETE REAR KIT COMPLETE FRONT COMPLETE REAR RIGHT SPOKE COMPLETE REAR LEFT SPOKE NIPPLES TOOL TOOL TOOL TOOL</p>	<p>R0F-SKB21 R0R-SKB21 R0-117N R0-118N R0-119N R0-215 T-02 T-03 T-05 T-07</p>	<p>16 front spokes 14 rear right spokes + 7 rear left spokes spoke + nipple spoke + nipple spoke + nipple 10 pcs spoke anti-rotation magnet-attractor insert for nipple nipple-guide magnet spoke spanner</p>
---	---	---

### ACCESSORIES

<p>Spacer for HG11 FW body</p>	<p>RS-004</p>	<p>5 pcs - to be used only with 9/10s sprockets (please note that every HG11 rear wheel/HG11 FW body package contains the spacer)</p>
--------------------------------	---------------	---

# RACING ZERO™ NITE CLINCHER

## HUBS/MOZZI/MOYEUX



**R0-150  
USB KIT front**  
2 x R0-005  
2 x R0-004  
2 x R0-008  
2 x R0-003

**RS-150  
HUB KIT rear**  
2 x R1-005  
2 x R1-006  
2 x R1-008  
2 x RS-111

# RACING ZERO™ CLINCHER

## RIMS & SPOKES/CERCHI E RAGGI

### RIM

	<p>FRONT RIM REAR RIM LABEL KIT VALVE HOLE DIAMETER</p>	<p>ROF-CRB21 (no labels) ROR-CRB21 (no labels) RO-LAB17CB (front+rear) 6,5 mm 622 X 17C</p>
--	---	---

### SPOKES

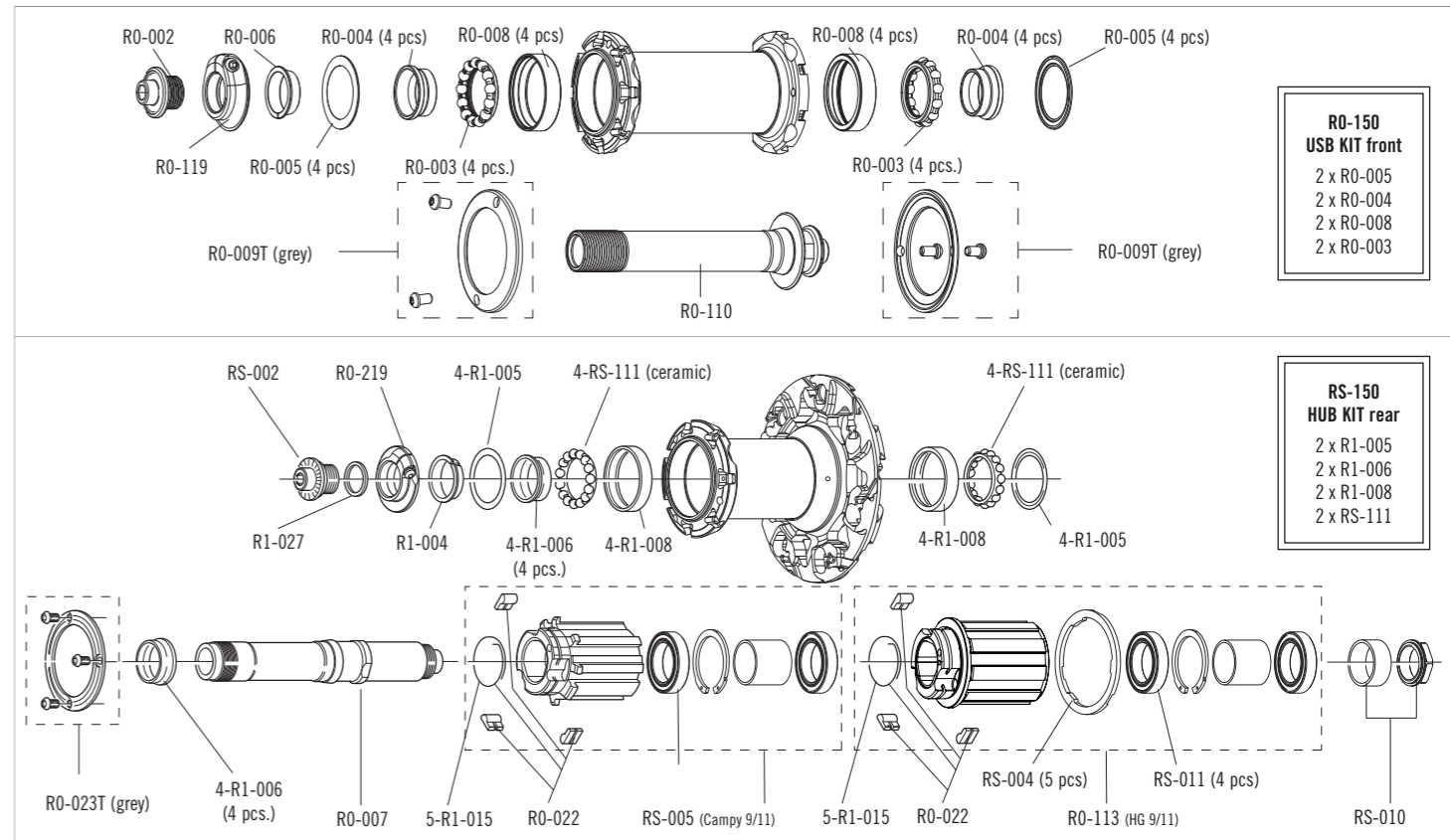
<p>COMPLETE FRONT KIT COMPLETE REAR KIT COMPLETE FRONT COMPLETE REAR RIGHT SPOKE COMPLETE REAR LEFT SPOKE NIPPLES TOOL TOOL TOOL TOOL</p>	<p>ROF-SKB21 ROR-SKB21 RO-117B RO-118B RO-119B RO-115 T-02 T-03 T-05 T-07</p>	<p>16 front spokes 14 rear right spokes + 7 rear left spokes spoke + nipple spoke + nipple spoke + nipple 10 pcs spoke anti-rotation magnet-attractor insert for nipple nipple-guide magnet spoke spanner</p>
---	---	---

### ACCESSORIES

<p>Spacer for HG11 FW body</p>	<p>RS-004</p>	<p>5 pcs - to be used only with 9/10s sprockets <i>(please note that every HG11 rear wheel/HG11 FW body package contains the spacer)</i></p>
--------------------------------	---------------	--

# RACING ZERO™ CLINCHER

## HUBS/MOZZI/MOYEUX



# RACING 3™ CLINCHER

## RIMS & SPOKES/CERCHI E RAGGI

### RIM

	<p>FRONT RIM REAR RIM LABEL KIT VALVE HOLE DIAMETER</p>	<p>R3F-CRB31 (with labels) R3R-CRB31 (with labels) R3-LAB18CB (front+rear) 6,5 mm 622 X 17C</p>
--	---	---

### SPOKES

COMPLETE FRONT SPOKE	R3-116	4 spokes + 4 nipples
COMPLETE REAR RIGHT SPOKE	R3-118	4 spokes + 4 nipples
COMPLETE REAR LEFT SPOKE	R3-119	4 spokes + 4 nipples
NIPPLES	R3-015	50 pcs
TOOL	T-28	magnet-attractor insert for nipple
TOOL	T-05	nipple-guide magnet
TOOL	T-02	spoke anti-rotation

### ACCESSORIES

Spacer for HG11 FW body	RS-004	5 pcs - to be used only with 9/10s sprockets <i>(please note that every HG11 rear wheel/HG11 FW body package contains the spacer)</i>
-------------------------	--------	--

# RACING 3™ CLINCHER

## HUBS/MOZZI/MOYEUX

**R3-100 HUB KIT**  
 2 x R0-005  
 2 x R0-004  
 2 x R0-008  
 2 x R3-010

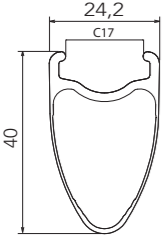
**RS-100 HUB KIT**  
 2 x R1-005  
 2 x R1-006  
 2 x R1-008  
 2 x R1-007

Labels in diagrams include: R0-002, RS-112, R0-005, R3-010 (4 pcs. - steel), R0-008 (4 pcs.), R0-006, R0-004 (4 pcs.), R0-008 (4 pcs.), R3-010 (4 pcs. - steel), R0-004 (4 pcs.), R0-005, RS-017, RS-002, R3-012, 4-R1-005, 4-R1-007 (steel), 4-R1-007 (steel), R1-027, R1-004, 4-R1-006 (4 pcs.), 4-R1-008, 4-R1-008, 4-R1-005, 4-R1-006 (4 pcs.), RS-007, 5-R1-015, R0-022, RS-005 (Campy 9/11), 5-R1-015, R0-022, S9-013 (HG 9/11), RS-011 (4 pcs.), RS-004 (5 pcs.), RS-011 (4 pcs.), RS-010.

# RACING QUATTRO™ CARBON CLINCHER

## RIMS & SPOKES/CERCHI E RAGGI

### RIM

	FRONT RIM	R4F-CRC18 (with labels)
	REAR RIM	R4R-CRC18 (with labels)
	VALVE HOLE	6,5 mm
	VALVE HOLE BUSHING	RWX-014 (for valve seat reduction - 5 pcs)
	DIAMETER	622 X 17C
	BRAKE SHOES	for carbon rims - BR-B0500 (for brakes with retention spring or interference fixing) - BR-B0500X1 (for brakes with screw fixing)

### SPOKES

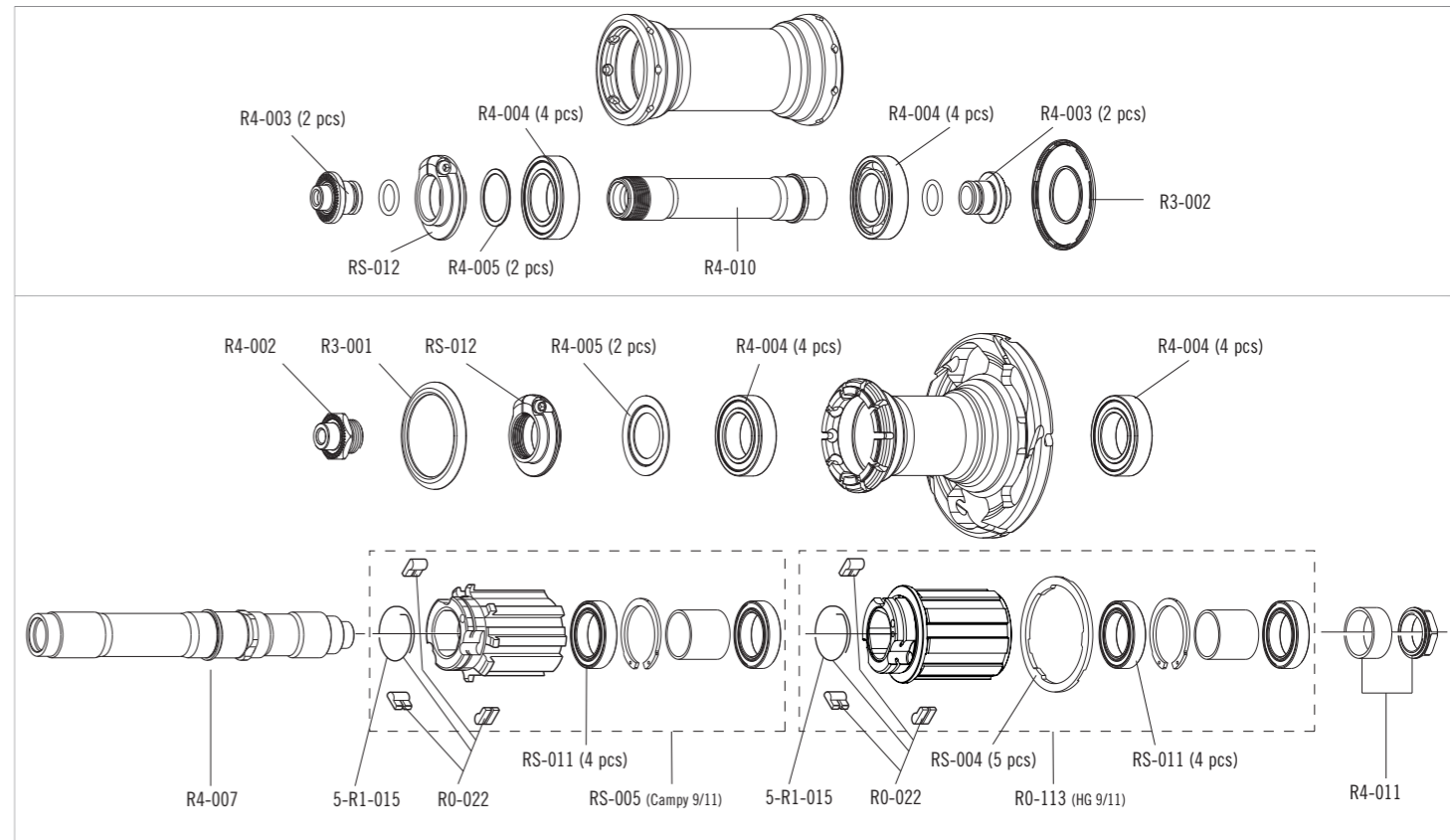
FRONT SPOKE	R4-016C	4 spokes + 4 nipples
REAR RIGHT SPOKE	R4-018C	4 spokes + 4 nipples
REAR LEFT SPOKE	R4-019C	4 spokes + 4 nipples
NIPPLES	RWX-B	50 pcs.

### ACCESSORIES

Spacer for HG11 FW body	RS-004	5 pcs - to be used only with 9/10s sprockets <i>(please note that every HG11 rear wheel/HG11 FW body package contains the spacer)</i>
-------------------------	--------	--

# RACING QUATTRO™ CARBON CLINCHER

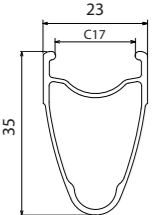
## RIMS & SPOKES/CERCHI E RAGGI



# RACING 4™ / 400 CLINGER

## RIMS & SPOKES/CERCHI E RAGGI

### RIM

	RIM-TAPE	R5-RT01 (20.5 mm - 2 pcs)
	LABEL KIT	R4-LAB19 (front+rear) - R400-LAB19 (front+rear)
VALVE HOLE	6,5 mm	
DIAMETER	622 X 17C	

### SPOKES

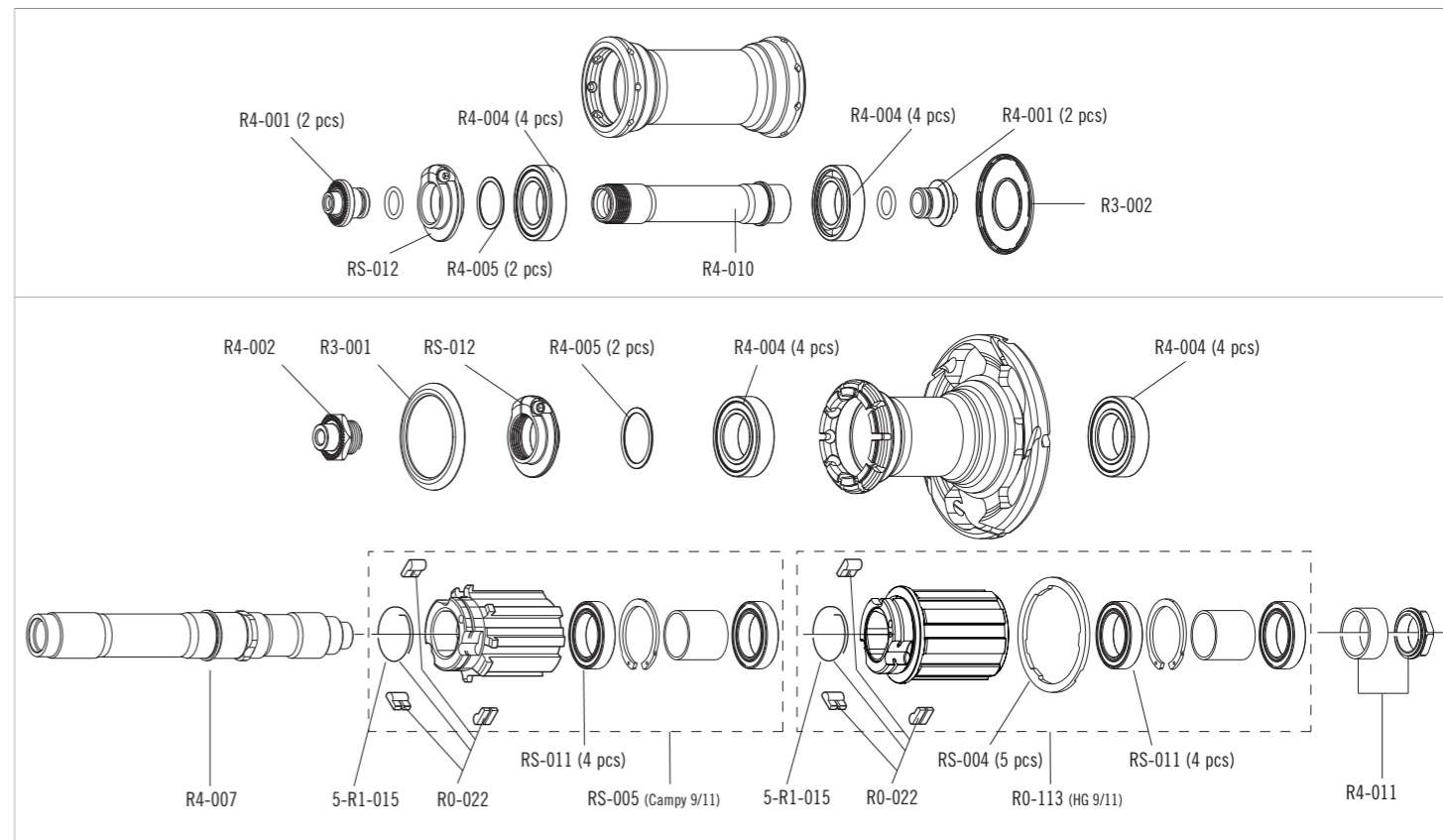
FRONT SPOKE	R4-116	4 spokes + 4 nipples
REAR RIGHT SPOKE	R4-118	4 spokes + 4 nipples
REAR LEFT SPOKE	R4-119	4 spokes + 4 nipples
NIPPLES	R5-B01	50 pcs.

### ACCESSORIES

Spacer for HG11 FW body	RS-004	5 pcs - to be used only with 9/10s sprockets <i>(please note that every HG11 rear wheel/HG11 FW body package contains the spacer)</i>
-------------------------	--------	--

# RACING 4™ / 400 CLINGER

## HUBS/MOZZI/MOYEUX



# RACING 5™ / 500 CLINCHER

## RIMS & SPOKES/CERCHI E RAGGI

### RIM

	<p>RIM-TAPE LABEL KIT VALVE HOLE DIAMETER</p>	<p>R5-RT01 (20,5 mm - 2 pcs)  <b>R5-LAB19</b> (front+rear) - <b>R500-LAB19</b> (front+rear)                  6,5 mm                  622 X 17C</p>
--	---	--

### SPOKES

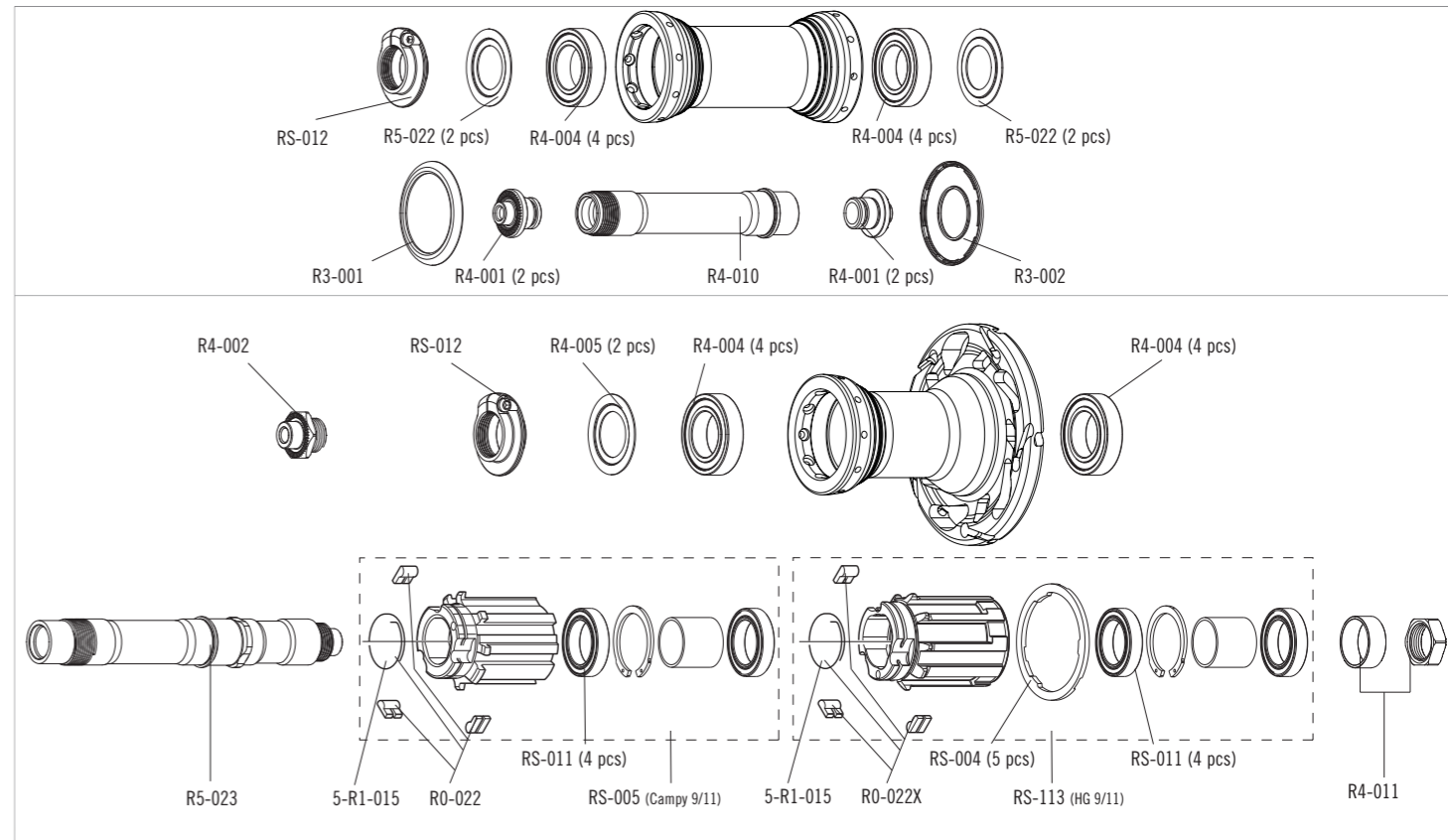
FRONT SPOKE	<b>R5-416</b>	4 spokes + 4 nipples
REAR RIGHT SPOKE	<b>R5-418</b>	4 spokes + 4 nipples
REAR LEFT SPOKE	<b>R5-419</b>	4 spokes + 4 nipples
NIPPLES	R5-B01	50 pcs

### ACCESSORIES

Spacer for HG11 FW body	RS-004	5 pcs - to be used only with 9/10s sprockets <i>(please note that every HG11 rear wheel/HG11 FW body package contains the spacer)</i>
-------------------------	--------	--

# RACING 5™ / 500 CLINCHER

## HUBS/MOZZI/MOYEUX



# RACING 6™ / 600 CLINCHER

## RIMS & SPOKES/CERCHI E RAGGI

### RIM

	<p>RIM-TAPE LABEL KIT VALVE HOLE DIAMETER</p>	<p>R5-RT01 (20,5 mm - 2 pcs)  <b>R6-LAB19</b> (front+rear) - <b>R600-LAB19</b> (front+rear)                      6,5 mm                      622 X 17C</p>
--	---	--

### SPOKES

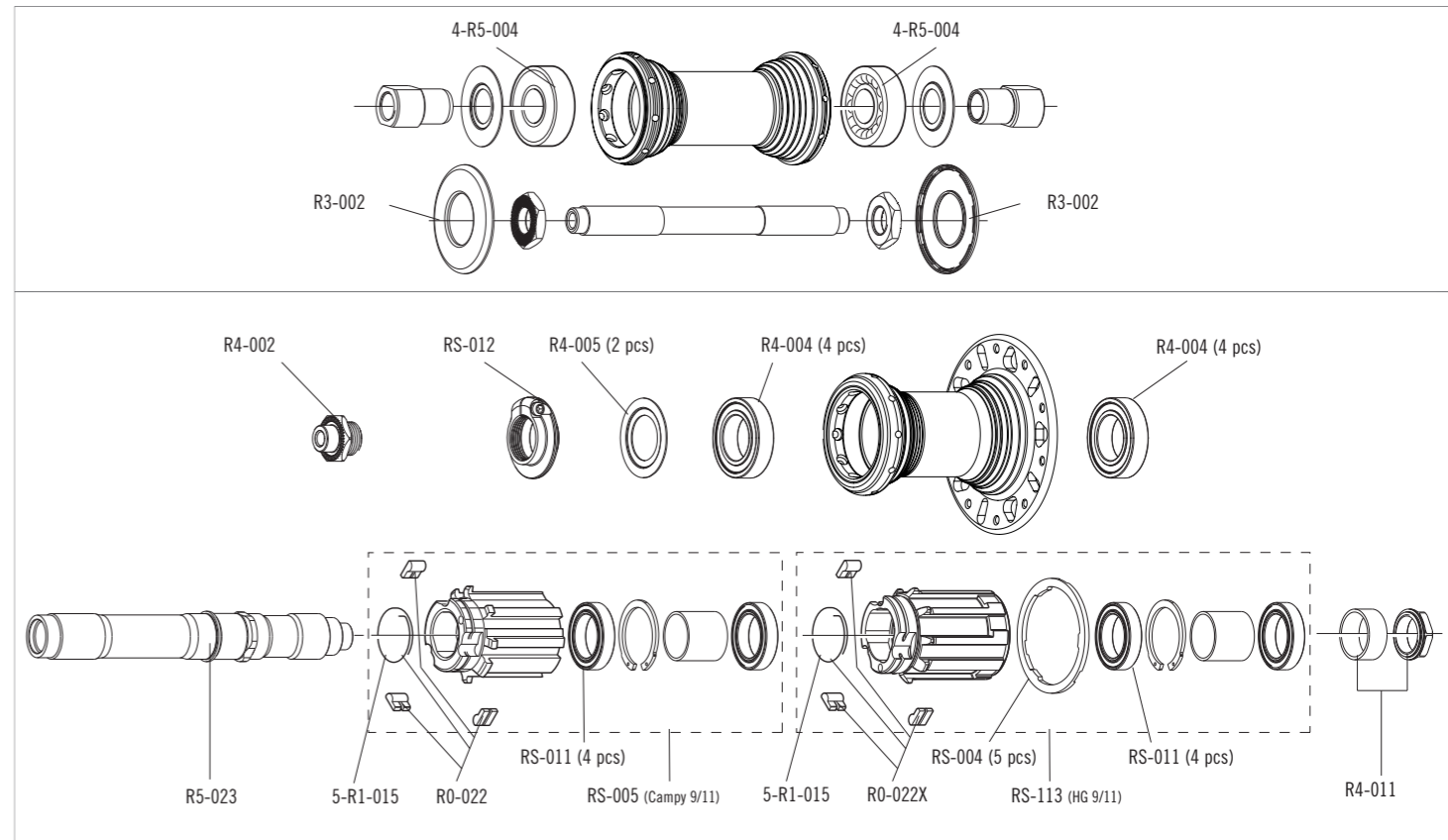
FRONT SPOKE	<b>R6-016</b>	4 spokes + 4 nipples
REAR RIGHT SPOKE	<b>R6-018</b>	4 spokes + 4 nipples
REAR LEFT SPOKE	<b>R6-019</b>	4 spokes + 4 nipples
NIPPLES	RZ7-B	50 pcs

### ACCESSORIES

Spacer for HG11 FW body	RS-004	5 pcs - to be used only with 9/10s sprockets (please note that every HG11 rear wheel/HG11 FW body package contains the spacer)
-------------------------	--------	---

# RACING 6™ / 600 CLINCHER

## HUBS/MOZZI

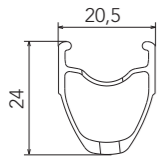




# RACING SPORT™ CLINCHER

## RIMS & SPOKES/CERCHI E RAGGI

### RIM

	RIM-TAPE LABEL KIT VALVE HOLE DIAMETER	RT-RT (18 mm - 2 pcs) Not Available 6,5 mm 622 X 15C
---	---	---

### SPOKES

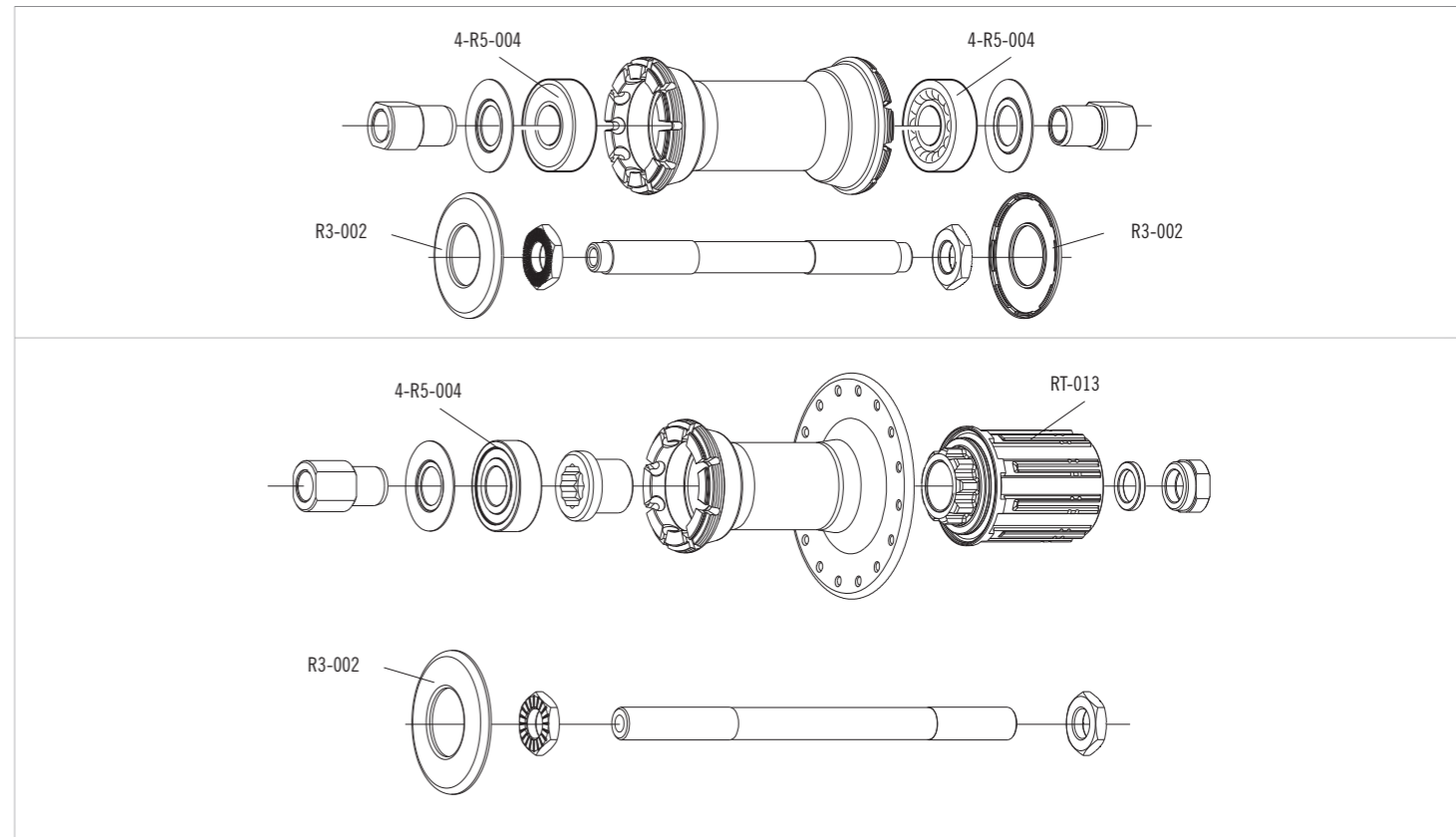
FRONT SPOKE	R7-116	4 spokes + 4 nipples
REAR RIGHT SPOKE	RT-018	4 spokes + 4 nipples
REAR LEFT SPOKE	RT-019	4 spokes + 4 nipples
NIPPLES	RM3-B	50 pcs

### ACCESSORIES

Spacer for HG11 FW body	RS-004	5 pcs - to be used only with 9/10s sprockets <i>(please note that every HG11 rear wheel/HG11 FW body package contains the spacer)</i>
-------------------------	--------	--

# RACING SPORT™ CLINCHER

## HUBS/MOZZI



# SPEED 360T™ tubular

## RIM & HUB / CERCHIO E MOZZO

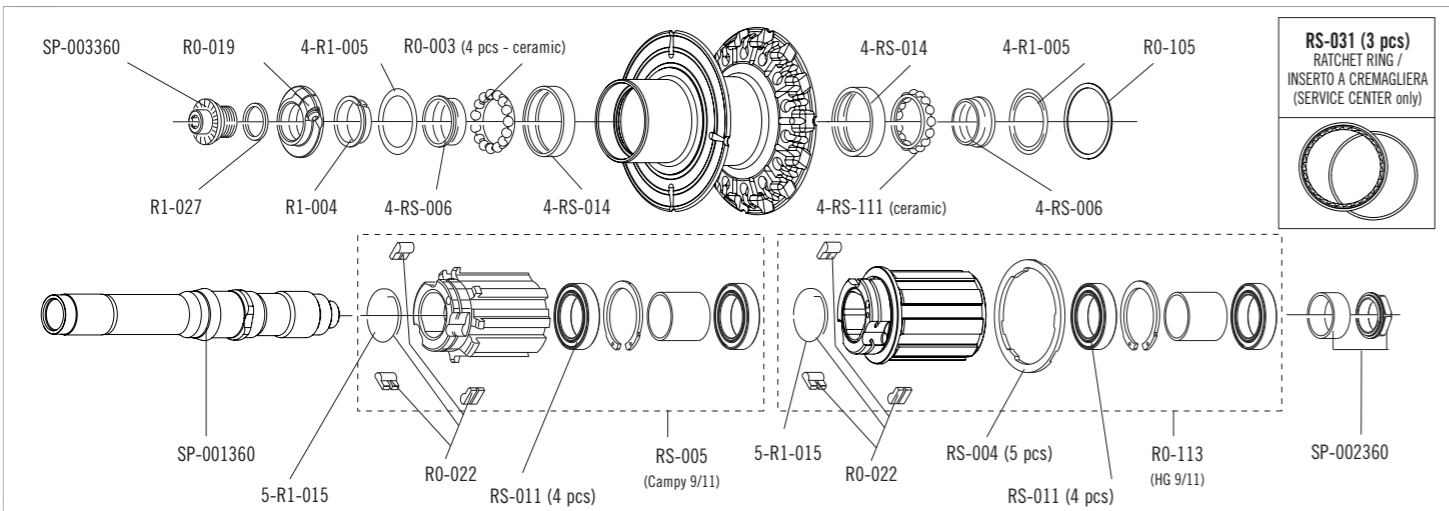
### RIM

LABEL FOR VALVE HOLE	RC-100 (5 pcs)
VALVE HOLE BUSHINGS	RWX-014 (5 pcs)
VALVE EXTENSION	T-15M (male valve extension)
BRAKE SHOES	for carbon rims - BR-B0500 (for brakes with retention spring or interference fixing) - BR-B0500X1 (for brakes with screw fixing)

### ACCESSORIES

Spacer for HG11 FW body	RS-004	5 pcs - to be used only with 9/10s sprockets <i>(please note that every HG11 rear wheel/HG11 FW body package contains the spacer)</i>
-------------------------	--------	--

### HUB



# VALVE EXTENSIONS

**NOTE:**  
USE AIR CHAMBERS (INNER TUBES) WITH A LONG VALVE (AT LEAST 35 mm).

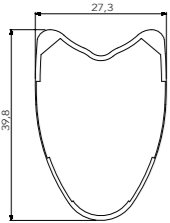
PROFILE RIM	MALE VALVE ADAPTER (SUPPLIED)		
RED WIND/RED WIND XLR H50	T-15M	L = 35 mm	
RED WIND/RED WIND XLR H80	T-16M	L = 65 mm	
RED WIND/RED WIND XLR H105	T-17M	L = 90 mm	
RACING SPEED XLR H80	T-19M	L = 74 mm	
PROFILE RIM	FEMALE VALVE ADAPTER (OPTION)		
RED WIND/RED WIND XLR H50	T-15F	L = 37 mm	
RED WIND/RED WIND XLR H80	T-16F	L = 67 mm	
RED WIND/RED WIND XLR H105	T-17F	L = 92 mm	
RACING SPEED XLR H80	T-19F	L = 80 mm	

# SPEED 40T DB tubular

AFS

## RIMS & SPOKES/CERCHI E RAGGI

### RIM

	FRONT/REAR RIM	<b>RSDB-R40T19 (with labels)</b>
	VALVE HOLE VALVE HOLE BUSHING DIAMETER	6,5 mm RWX-014 (for valve seat reduction - 5 pcs) 622 x 26,5 mm

### SPOKES

FRONT/REAR RIGHT	<b>RSDB-DS290</b>	4 spokes + 4 nipples
FRONT LEFT	<b>RSDB-DS291</b>	4 spokes + 4 nipples
REAR LEFT	<b>RSDB-DS292</b>	4 spokes + 4 nipples
NIPPLES	RWX-B	50 pcs.

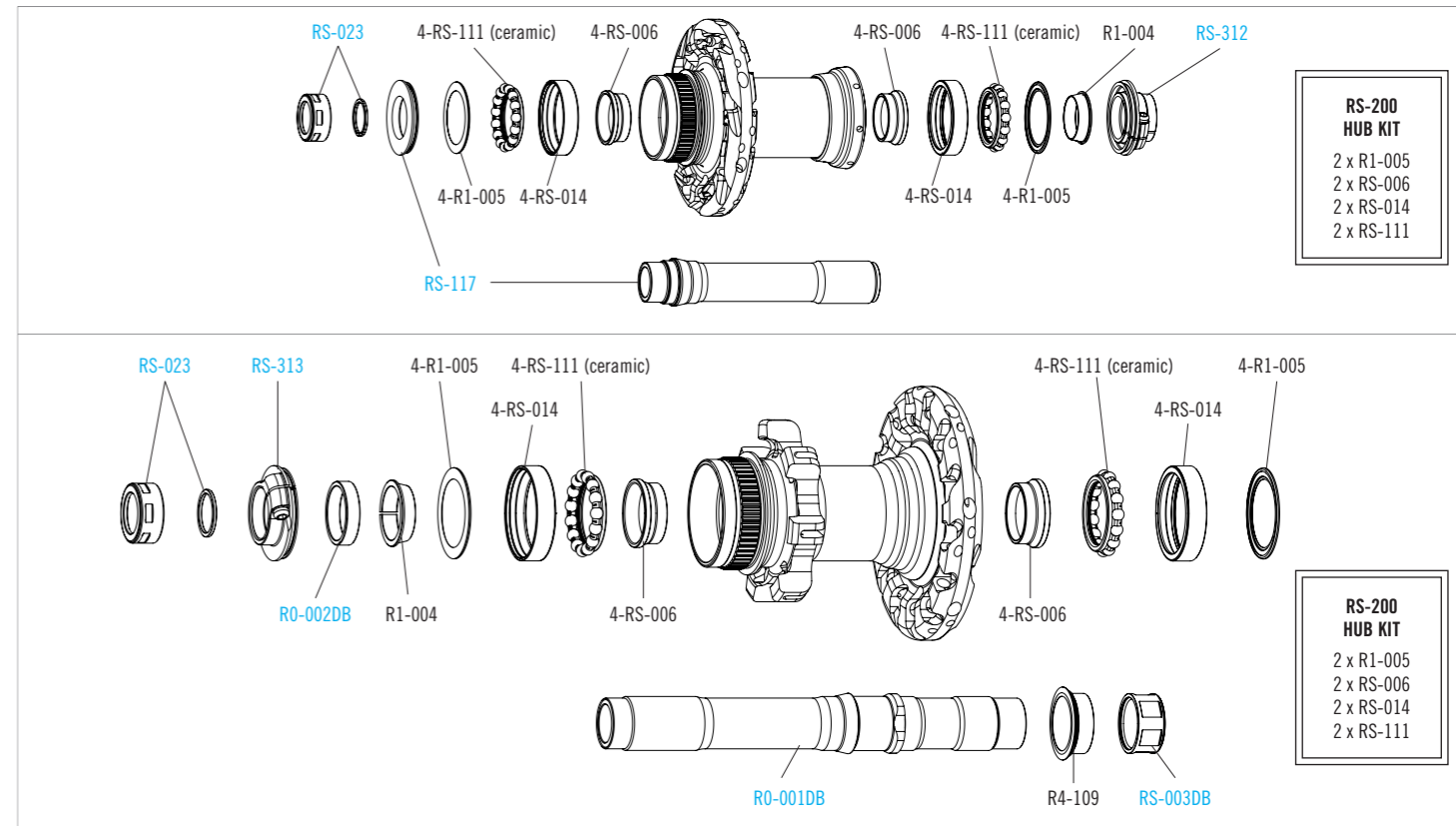
### ACCESSORIES

Spacer for HG11 FW body	RS-004	5 pcs - to be used only with 9/10s sprockets <i>(please note that every HG11 rear wheel/HG11 FW body package contains the spacer)</i>
-------------------------	--------	--

# SPEED 40T DB tubular

AFS

## RIMS & SPOKES/CERCHI E RAGGI



**RS-200 HUB KIT**

2 x R1-005  
2 x RS-006  
2 x RS-014  
2 x RS-111

Complete FW body / Corpetti RL completi

**R0-113** (HG 9/11) - **RS-005** (Campagnolo) - **R0-122** (XD) - **R0-123** (XDR)

See exploded view pag. 56

# SPEED 55T DB tubular

AFS

## RIMS & SPOKES/CERCHI E RAGGI

### RIM

	<p>FRONT/REAR RIM VALVE HOLE VALVE HOLE BUSHING DIAMETER</p>	<p><b>RSDB-R55T19 (with labels)</b> 6,5 mm RWX-014 (for valve seat reduction - 5 pcs) 622 x 26,5 mm</p>
---	--	---

### SPOKES

<p>FRONT/REAR RIGHT FRONT LEFT REAR LEFT NIPPLES</p>	<p><b>RSDB-DS293</b> <b>RSDB-DS294</b> <b>RSDB-DS295</b> RWX-B</p>	<p>4 spokes + 4 nipples 4 spokes + 4 nipples 4 spokes + 4 nipples 50 pcs.</p>
--	--	---

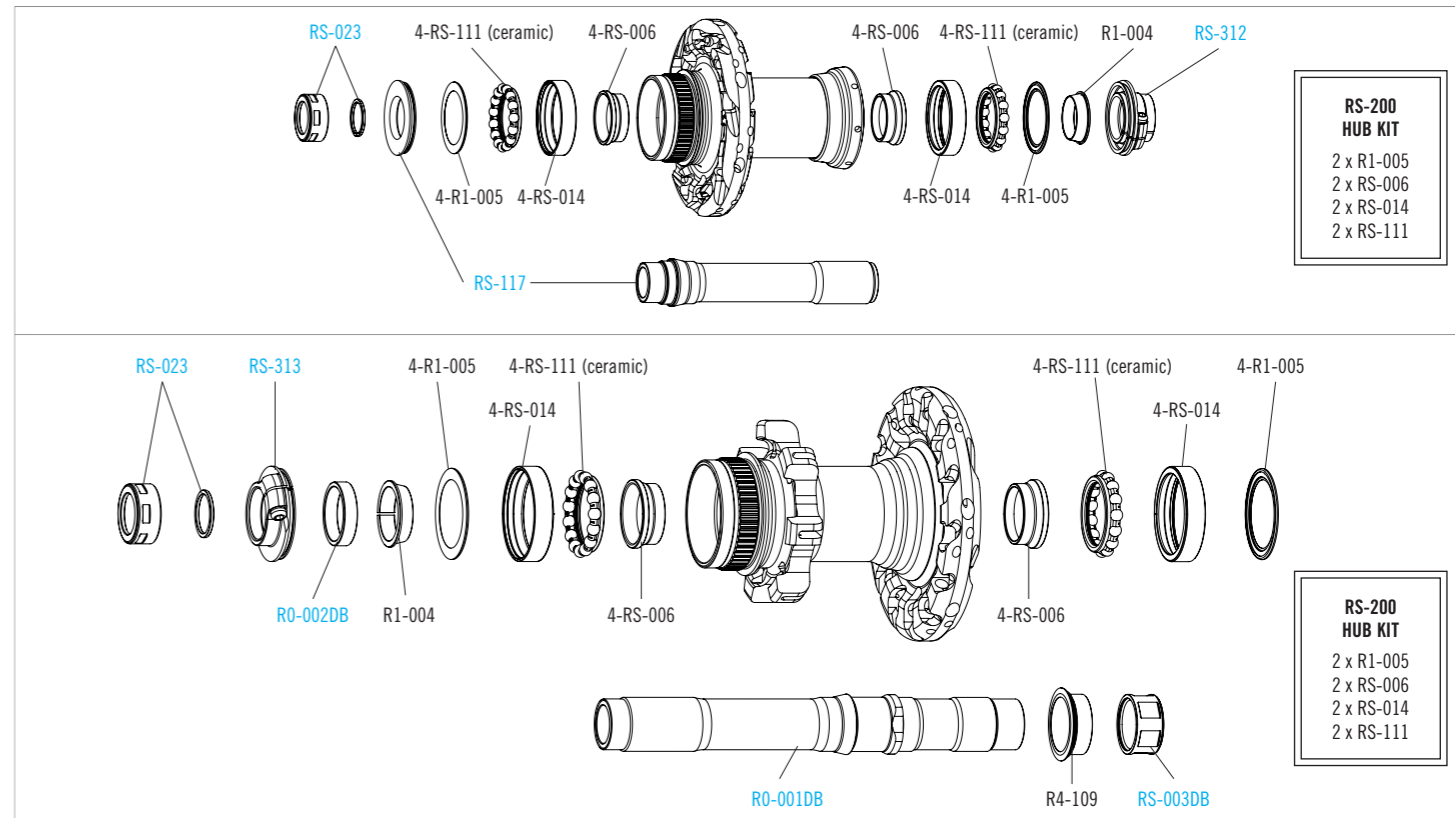
### ACCESSORIES

<p>Spacer for HG11 FW body</p>	<p>RS-004</p>	<p>5 pcs - to be used only with 9/10s sprockets <i>(please note that every HG11 rear wheel/HG11 FW body package contains the spacer)</i></p>
--------------------------------	---------------	--

# SPEED 55T DB tubular

AFS

## RIMS & SPOKES/CERCHI E RAGGI



Complete FW body / Corpetti RL completi

**R0-113** (HG 9/11) - **RS-005** (Campagnolo) - **R0-122** (XD) - **R0-123** (XDR)

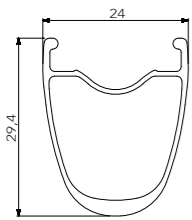
See exploded view pag. 56

# RACING ZERO DB

6 BOLTS

## RIMS & SPOKES/CERCHI E RAGGI

### RIM

	FRONT/REAR RIM LABEL KIT	ROF-CR01DB R0-LAB17DB
	VALVE HOLE VALVE HOLE BUSHING DIAMETER	6 mm R0-114 (for valve seat reduction - 5 pcs) 622 x C19

### SPOKES

COMPLETE FRONT KIT	ROF-SKB31	14 left + 7 rear
COMPLETE REAR KIT	ROR-SKB31	7 left + 14 rear
FRONT/REAR RIGHT	R0-217B	1 spokes + 1 nipples
FRONT LEFT	R0-216B	1 spokes + 1 nipples
REAR LEFT	R0-219B	1 spokes + 1 nipples
NIPPLES	R0DB-N1	10 pcs.

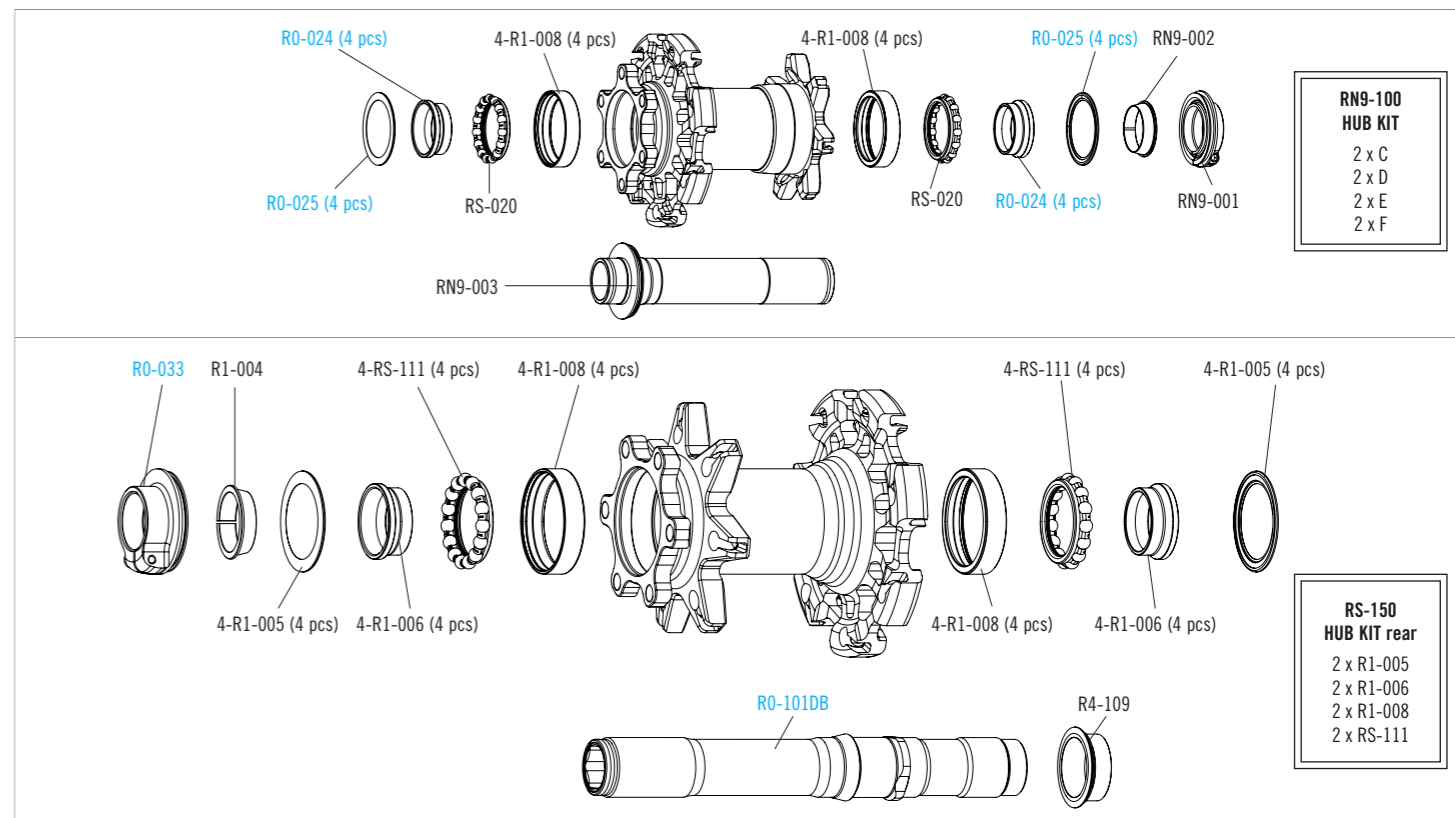
### ACCESSORIES

Spacer for HG11 FW body	RS-004	5 pcs - to be used only with 9/10s sprockets <i>(please note that every HG11 rear wheel/HG11 FW body package contains the spacer)</i>
<b>ADAPTERS FOR FRONT AND REAR AXLES ON PAGE 58</b>		

# RACING ZERO DB

6 BOLTS

## RIMS & SPOKES/CERCHI E RAGGI



Complete FW body / Corpetti RL completi

R0-113 (HG 9/11) - RS-005 (Campagnolo) - R0-122 (XD) - R0-123 (XDR)

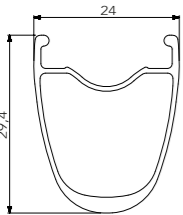
See exploded view pag. 56

# RACING ZERO DB

AFS

## RIMS & SPOKES/CERCHI E RAGGI

### RIM

	<p>FRONT/REAR RIM LABEL KIT VALVE HOLE VALVE HOLE BUSHING DIAMETER</p>	<p><b>ROF-CR01DB</b> <b>R0-LAB17DB</b> 6 mm R0-114 (for valve seat reduction - 5 pcs) 622 x C19</p>
---	--	---

### SPOKES

<p>COMPLETE FRONT KIT COMPLETE REAR KIT FRONT/REAR RIGHT FRONT LEFT REAR LEFT NIPPLES</p>	<p><b>ROF-SKB31</b> <b>ROR-SKB31</b> <b>R0-217B</b> <b>R0-216B</b> <b>R0-219B</b> <b>R0DB-N1</b></p>	<p>14 left + 7 rear 7 left + 14 rear 1 spokes + 1 nipples 1 spokes + 1 nipples 1 spokes + 1 nipples 10 pcs.</p>
---	--	---

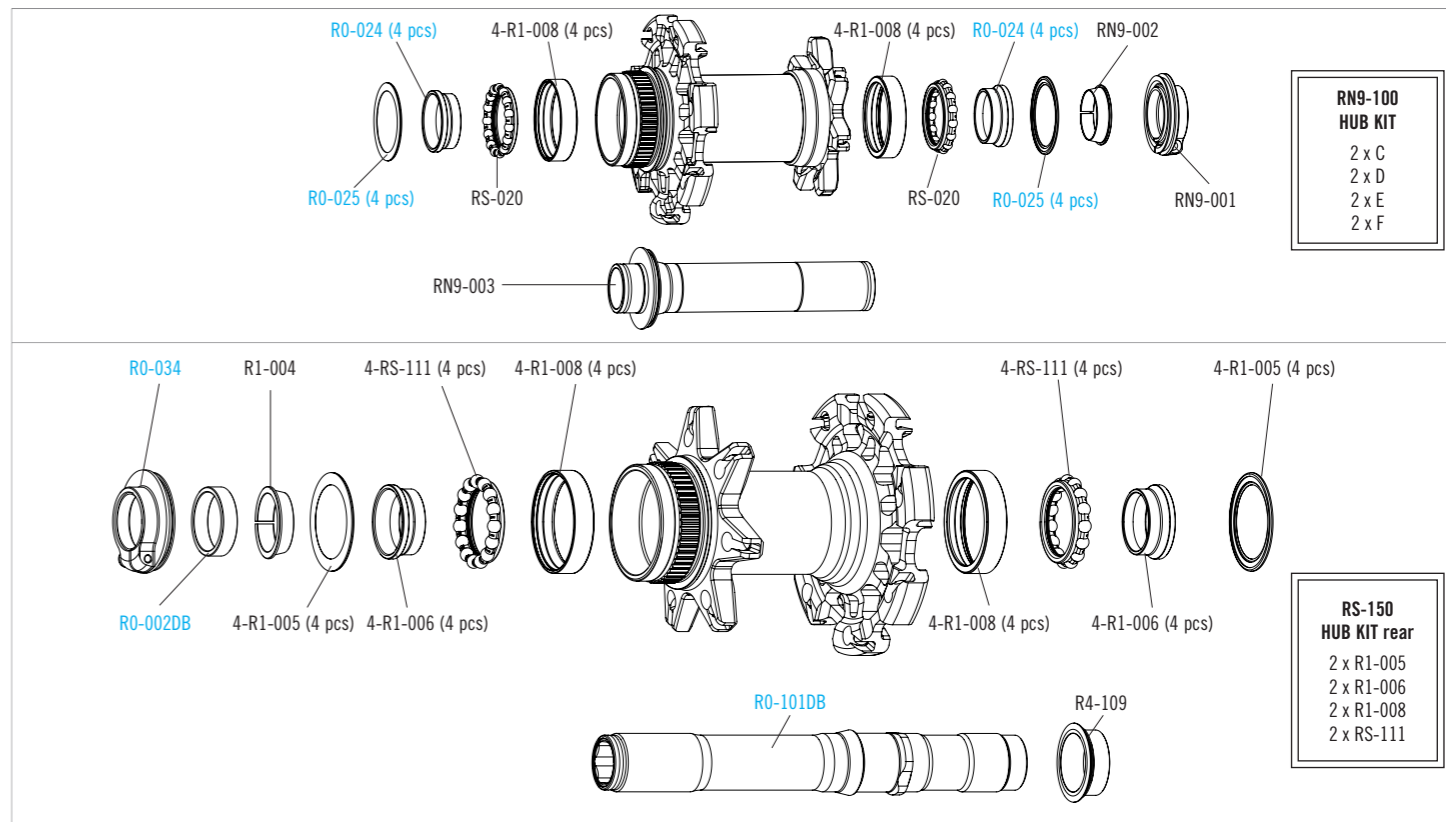
### ACCESSORIES

<p>Spacer for HG11 FW body</p>	<p>RS-004</p>	<p>5 pcs - to be used only with 9/10s sprockets <i>(please note that every HG11 rear wheel/HG11 FW body package contains the spacer)</i></p>
<p><b>ADAPTERS FOR FRONT AND REAR AXLES ON PAGE 58</b></p>		

# RACING ZERO DB

AFS

## RIMS & SPOKES/CERCHI E RAGGI



Complete FW body / Corpetti RL completi

**R0-113** (HG 9/11) - **RS-005** (Campagnolo) - **R0-122** (XD) - **R0-123** (XDR)

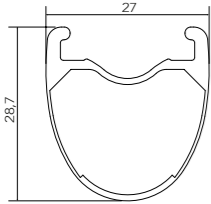
See exploded view pag. 56

# RACING ZERO CARBON DB

AFS

## RIMS & SPOKES/CERCHI E RAGGI

### RIM

	FRONT RIM	ROCDB-F011
	REAR RIM	ROCDB-R011
	VALVE HOLE	6 mm
	VALVE HOLE BUSHING	R0-114 (for valve seat reduction - 5 pcs)
	DIAMETER	622 x C19

### SPOKES

COMPLETE FRONT KIT	ROCDB-F001	14 left + 7 rear
COMPLETE REAR KIT	ROCDB-R002	7 left + 14 rear
FRONT/REAR RIGHT	ROCDB-003	1 spokes + 1 nipples
FRONT LEFT	ROCDB-004	1 spokes + 1 nipples
REAR LEFT	ROCDB-005	1 spokes + 1 nipples
NIPPLES	R0-115B	10 pcs.

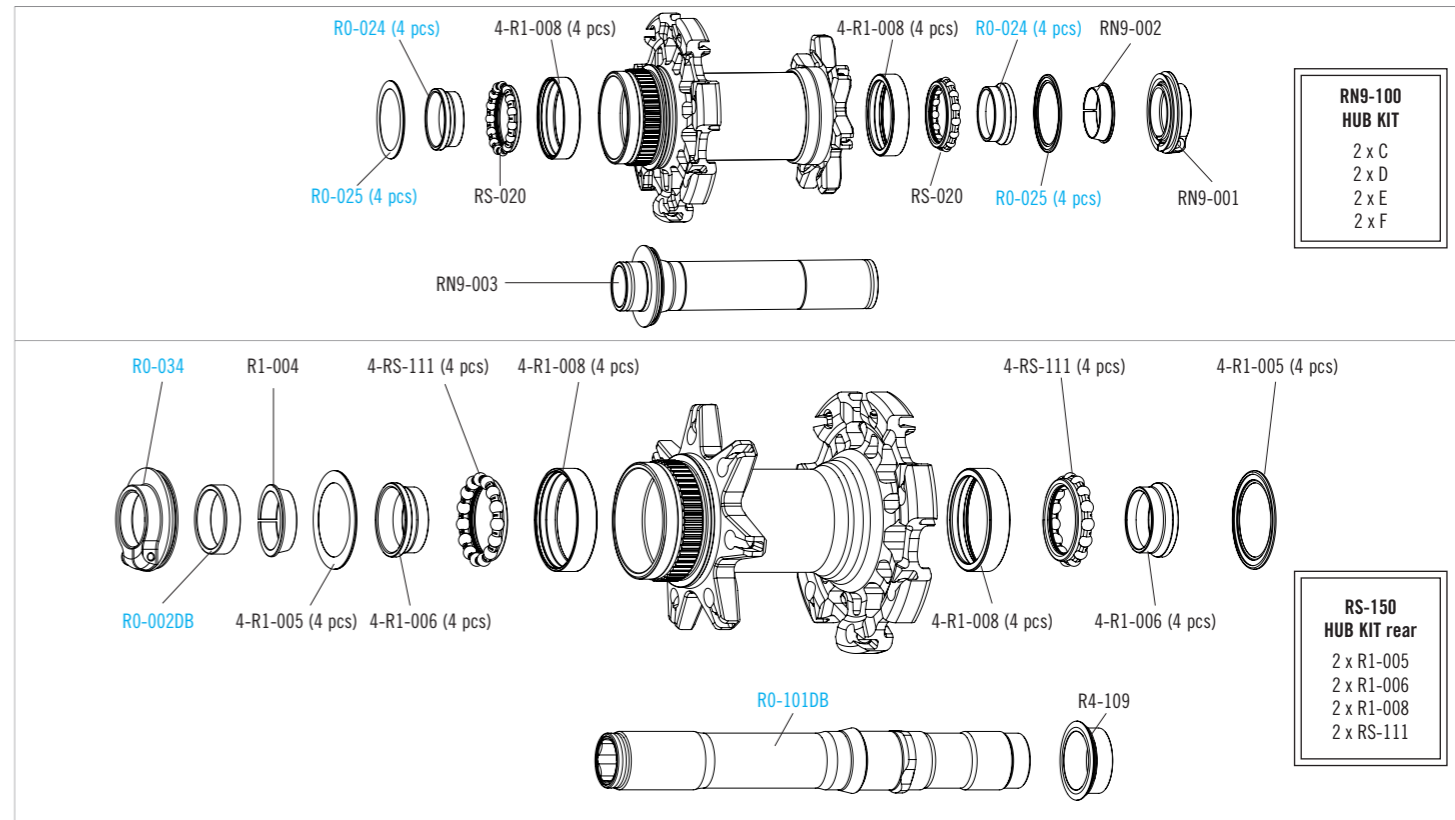
### ACCESSORIES

Spacer for HG11 FW body	RS-004	5 pcs - to be used only with 9/10s sprockets <i>(please note that every HG11 rear wheel/HG11 FW body package contains the spacer)</i>
<b>ADAPTERS FOR FRONT AND REAR AXLES ON PAGE 58</b>		

# RACING ZERO CARBON DB

AFS

## RIMS & SPOKES/CERCHI E RAGGI



Complete FW body / Corpetti RL completi

R0-113 (HG 9/11) - RS-005 (Campagnolo) - R0-122 (XD) - R0-123 (XDR)

See exploded view pag. 56

# RACING QUATTRO™ CARBON DB CLINCHER

## RIMS & SPOKES/CERCHI E RAGGI

### RIM

	FRONT/REAR RIM	R4F-CRCDB (with labels)
	LABEL KIT	R4-LAB16CCDB (front+rear)
	VALVE HOLE	6,5 mm
	VALVE HOLE BUSHING	RWX-014 (for valve seat reduction - 5 pcs)
	DIAMETER	622 X 17C

### SPOKES

FRONT RIGHT SPOKE	R4-116C	4 spokes + 4 nipples
FRONT LEFT/REAR RIGHT SPOKE	R4-117C	4 spokes + 4 nipples
REAR LEFT SPOKE	R4-119C	4 spokes + 4 nipples
NIPPLES	RWX-B	50 pcs.

### ACCESSORIES

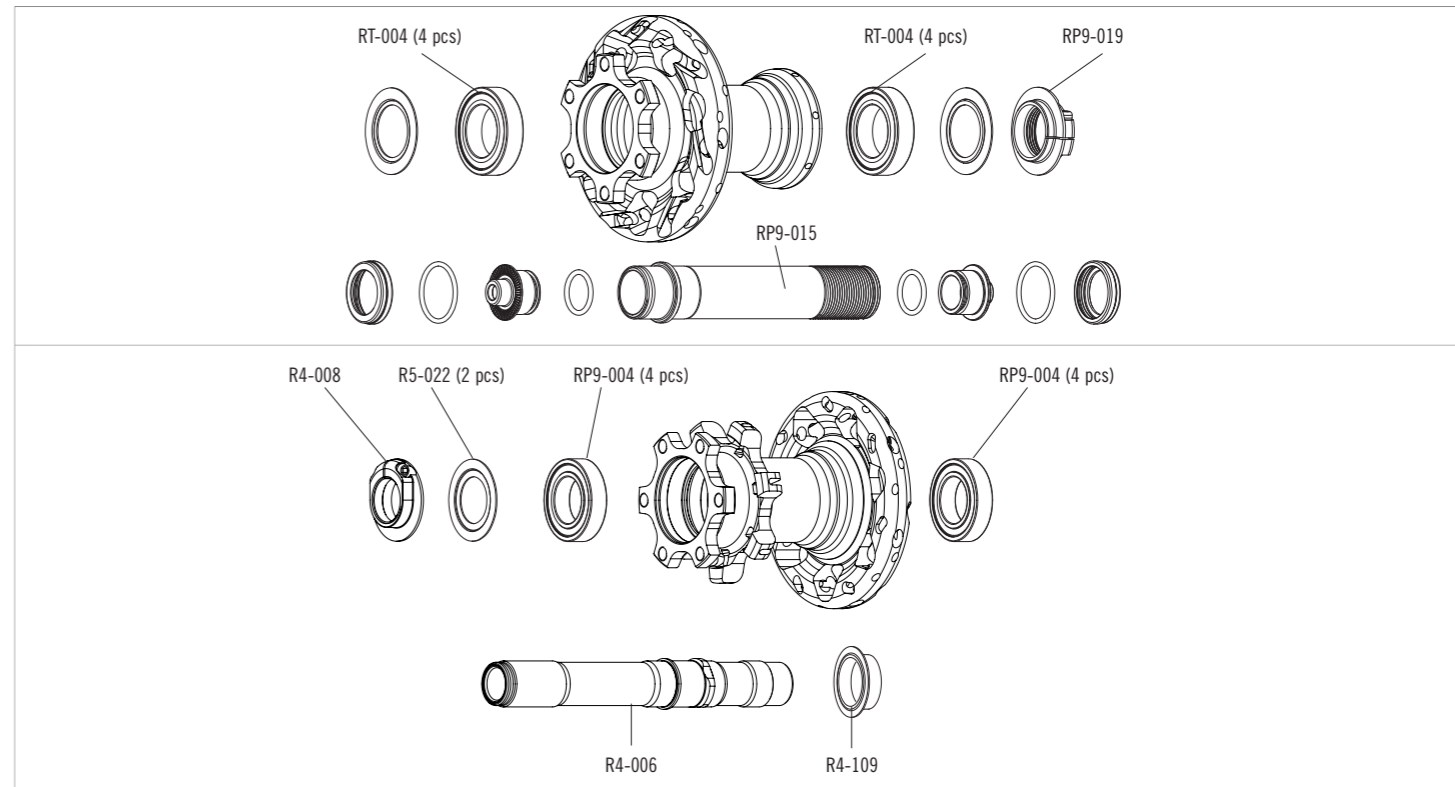
Spacer for HG11 FW body	RS-004	5 pcs - to be used only with 9/10s sprockets <i>(please note that every HG11 rear wheel/HG11 FW body package contains the spacer)</i>
KIT QR + QUICK RELEASE - FRONT	R4-QF16K	for front wheel - adapters + quick-release skewer
KIT QR + QUICK RELEASE - REAR	R4-QR16K	for rear wheel - adapters + quick-release skewer

**ADAPTERS FOR FRONT AND REAR AXLES ON PAGE 58**

# RACING QUATTRO™ CARBON DB

6 BOLTS & AFS

## RIMS & SPOKES/CERCHI E RAGGI



Complete FW body / Corpetti RL completi

**R0-113** (HG 9/11) - **RS-005** (Campagnolo) - **R0-122** (XD) - **R0-123** (XDR)

See exploded view pag. 56

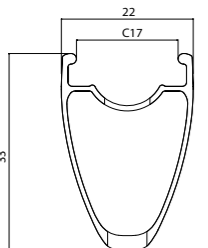


# RACING 4™ DB / 400 DB CLINCHER

AFS

## RIMS & SPOKES/CERCHI E RAGGI

### RIM

	RIM-TAPE LABEL KIT VALVE HOLE DIAMETER	2-S9-RT (22.5 mm - 2 pcs) R4-LAB18D (front+rear) - R400-LAB18D (front+rear) 6,5 mm 622 X 17C
---	---	---

### SPOKES

SPOKE L. 281 (front RH)	R4F-DS281	4 spokes + 4 nipples
SPOKE L. 285 (front LH+rear RH)	R4F-DS285	4 spokes + 4 nipples
SPOKE L. 282 (rear LH)	R4R-DS282	4 spokes + 4 nipples
NIPPLES	R5-B01	50 pcs

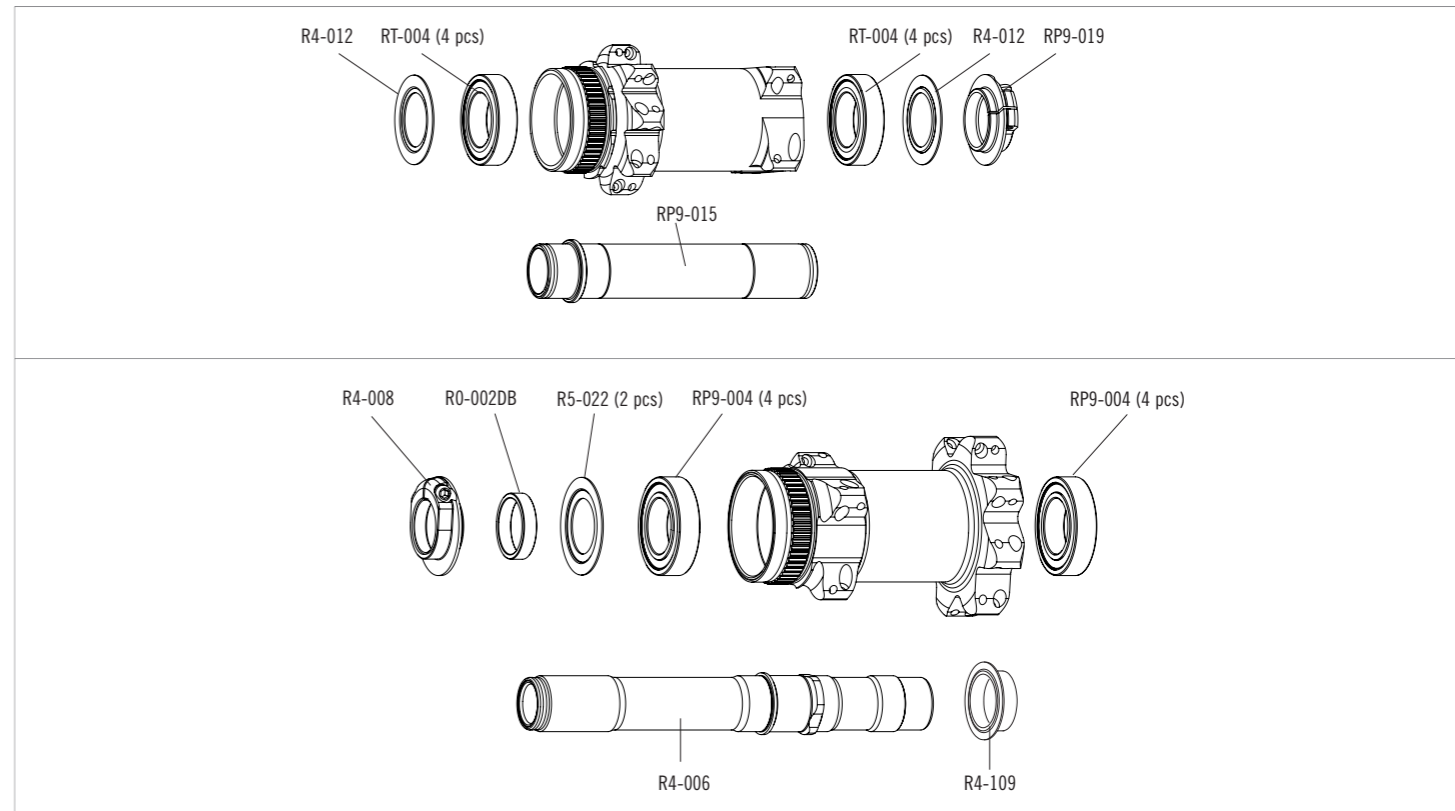
### ACCESSORIES

Spacer for HG11 FW body	RS-004	5 pcs - to be used only with 9/10s sprockets <i>(please note that every HG11 rear wheel/HG11 FW body package contains the spacer)</i>
KIT QR + QUICK RELEASE - FRONT	R5-QF16K	for front wheel - adapters + quick-release skewer
KIT QR + QUICK RELEASE - REAR	R5-QR16K	for rear wheel - adapters + quick-release skewer
<b>ADAPTERS FOR FRONT AND REAR AXLES ON PAGE 58</b>		

# RACING 4™ DB / 400 DB CLINCHER

AFS

## HUBS/MOZZI/MOYEUX



Complete FW body / Corpetti RL completi

R0-113 (HG 9/11) - RS-005 (Campagnolo) - R0-122 (XD) - R0-123 (XDR)

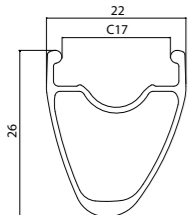
See exploded view pag. 56

# RACING 5™ DB / 500 DB CLINCHER

AFS

## RIMS & SPOKES/CERCHI E RAGGI

### RIM

	RIM-TAPE LABEL KIT VALVE HOLE DIAMETER	2-S9-RT (22.5 mm - 2 pcs) R5-LAB18D (front+rear) - R500-LAB18D (front+rear) 6,5 mm 622 X 17C
---	---	---

### SPOKES

SPOKE L. 288 (front RH)	R5F-DS288	4 spokes + 4 nipples
SPOKE L. 293 (front LH)	R5R-DS293	4 spokes + 4 nipples
SPOKE L. 293 (rear RH)	R5F-DS293	4 spokes + 4 nipples
SPOKE L. 289 (rear LH)	R5R-DS289	4 spokes + 4 nipples
NIPPLES	R5-B02	50 pcs

### ACCESSORIES

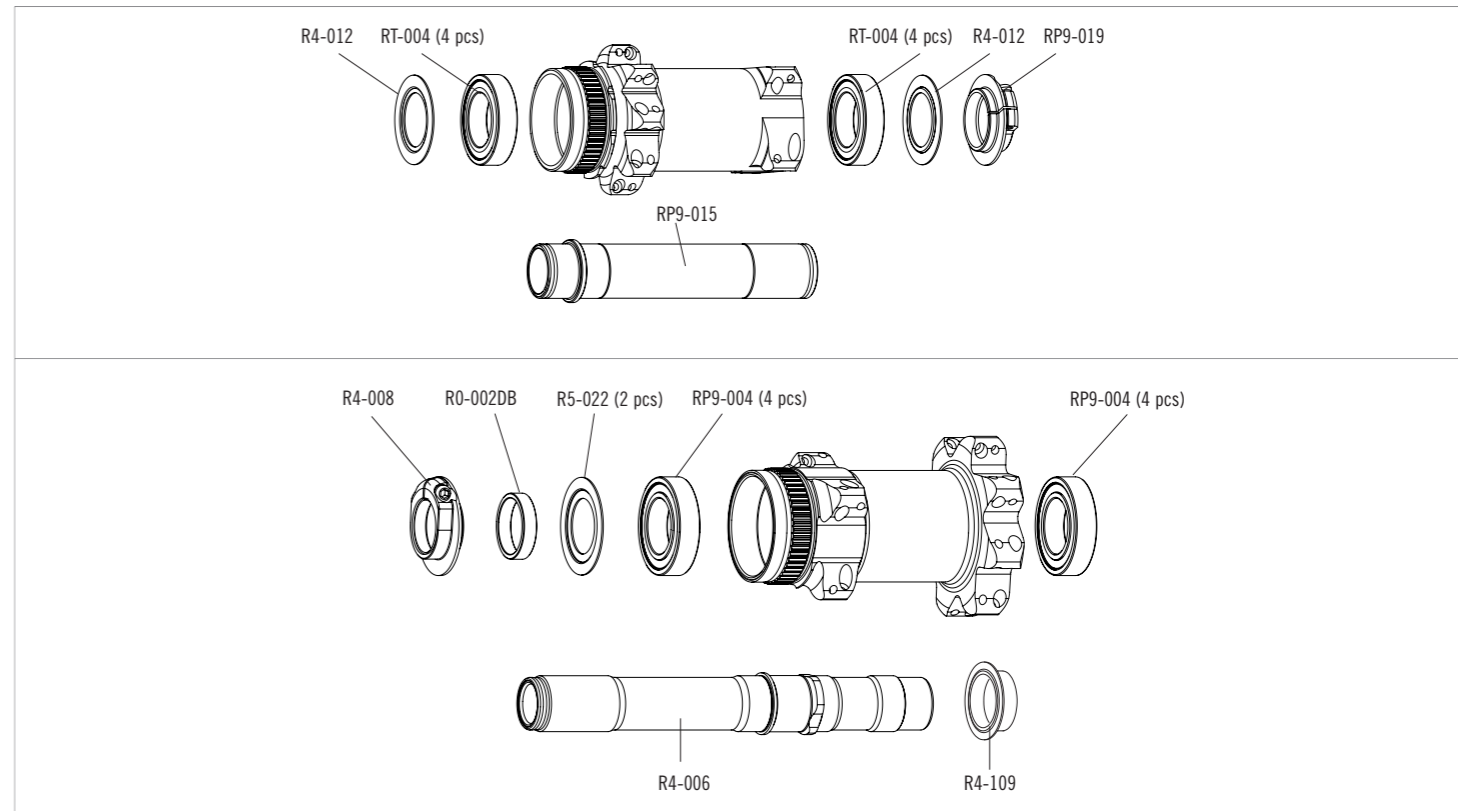
Spacer for HG11 FW body	RS-004	5 pcs - to be used only with 9/10s sprockets <i>(please note that every HG11 rear wheel/HG11 FW body package contains the spacer)</i>
KIT QR + QUICK RELEASE - FRONT	R5-QF16K	for front wheel - adapters + quick-release skewer
KIT QR + QUICK RELEASE - REAR	R5-QR16K	for rear wheel - adapters + quick-release skewer

**ADAPTERS FOR FRONT AND REAR AXLES ON PAGE 58**

# RACING 5™ DB / 500 DB CLINCHER

AFS

## HUBS/MOZZI/MOYEUX



Complete FW body / Corpetti RL completi

**R0-113** (HG 9/11) - **RS-005** (Campagnolo) - **R0-122** (XD) - **R0-123** (XDR)

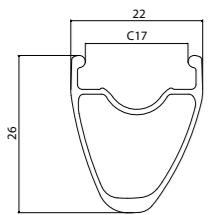
See exploded view pag. 56

# RACING 6™ DB / 600 DB CLINCHER

AFS

## RIMS & SPOKES/CERCHI E RAGGI

### RIM

	RIM-TAPE LABEL KIT VALVE HOLE DIAMETER	2-S9-RT (22.5 mm - 2 pcs) R6-LAB18D (front+rear) - R600-LAB18D (front+rear) 6,5 mm 622 X 17C
---	---	---

### SPOKES

SPOKE L. 279 (front RH)	R6F-DS279	4 spokes + 4 nipples
SPOKE L. 288 (front LH)	R6F-DS288	4 spokes + 4 nipples
SPOKE L. 285 (rear RH)	R6R-DS285	4 spokes + 4 nipples
SPOKE L. 274 (rear LH)	R6R-DS274	4 spokes + 4 nipples
NIPPLES	RZ7-B	50 pcs

### ACCESSORIES

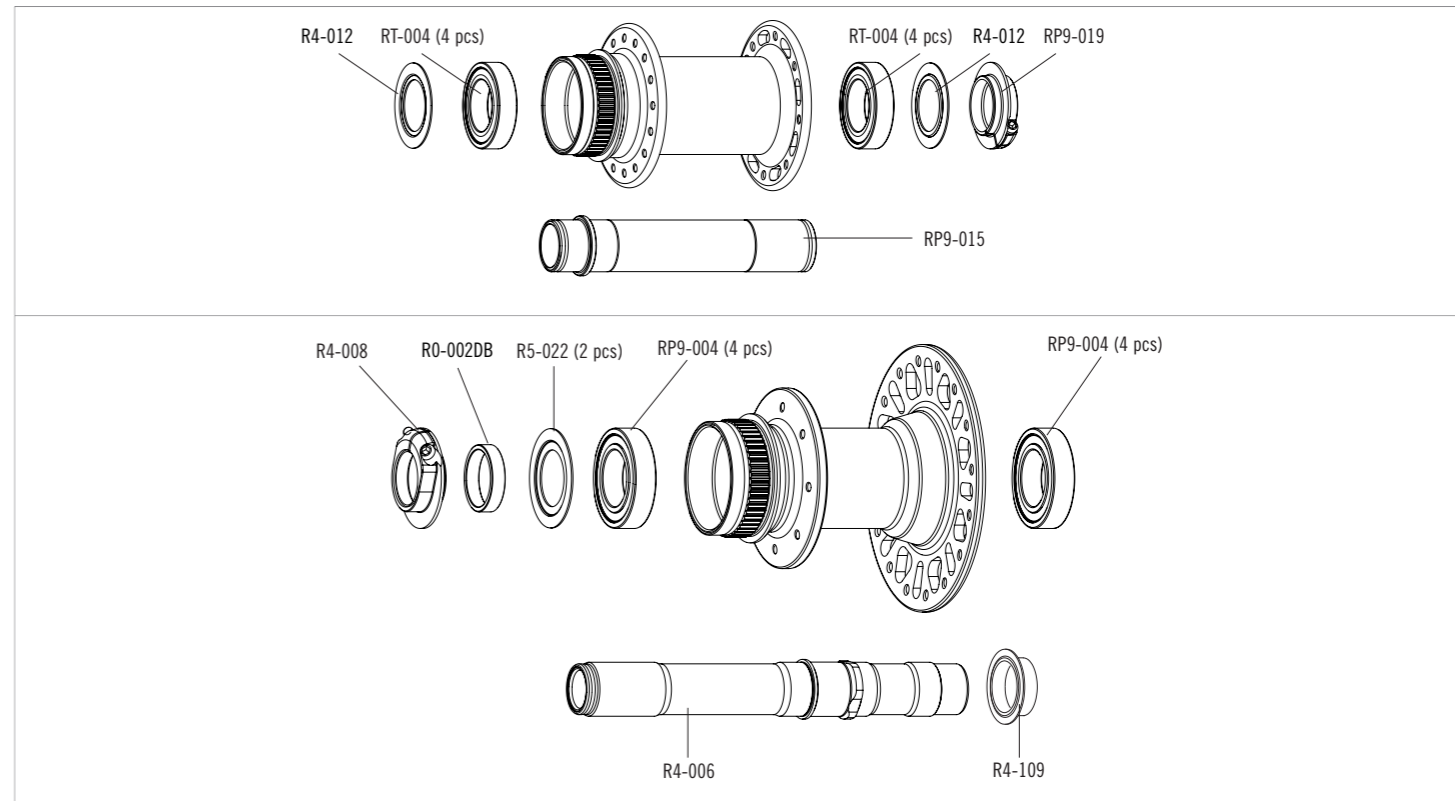
Spacer for HG11 FW body	RS-004	5 pcs - to be used only with 9/10s sprockets <i>(please note that every HG11 rear wheel/HG11 FW body package contains the spacer)</i>
KIT QR + QUICK RELEASE - FRONT	R5-QF16K	for front wheel - adapters + quick-release skewer
KIT QR + QUICK RELEASE - REAR	R5-QR16K	for rear wheel - adapters + quick-release skewer

**ADAPTERS FOR FRONT AND REAR AXLES ON PAGE 58**

# RACING 6™ DB / 600 DB CLINCHER

AFS

## HUBS/MOZZI/MOYEUX



Complete FW body / Corpetti RL completi

**R0-113** (HG 9/11) - **RS-005** (Campagnolo) - **R0-122** (XD) - **R0-123** (XDR)

See exploded view pag. 56

# RACING 7B™ DB / 700B DB CLINCHER

AFS

## RIMS & SPOKES/CERCHI E RAGGI

### RIM

	RIM-TAPE LABEL KIT VALVE HOLE DIAMETER	R700-RT02B (23 mm - 2 pcs) R7B-LAB19DB (front+rear) - R700B-LAB19DB (front+rear) 6,5 mm 27.5 2WF-Ready
---	---	---

### SPOKES

SPOKE L. 265 (front RH)	R7BF-DS294	4 spokes + 4 nipples
SPOKE L. 273,5 (front LH)	R7BF-DS293	4 spokes + 4 nipples
SPOKE L. 270,5 (rear RH)	R7BR-DS296	4 spokes + 4 nipples
SPOKE L. 259,5 (rear LH)	R7BR-DS295	4 spokes + 4 nipples
NIPPLES	RZ7-B	50 pcs
TOOL	T-18	spoke spanner

### ACCESSORIES

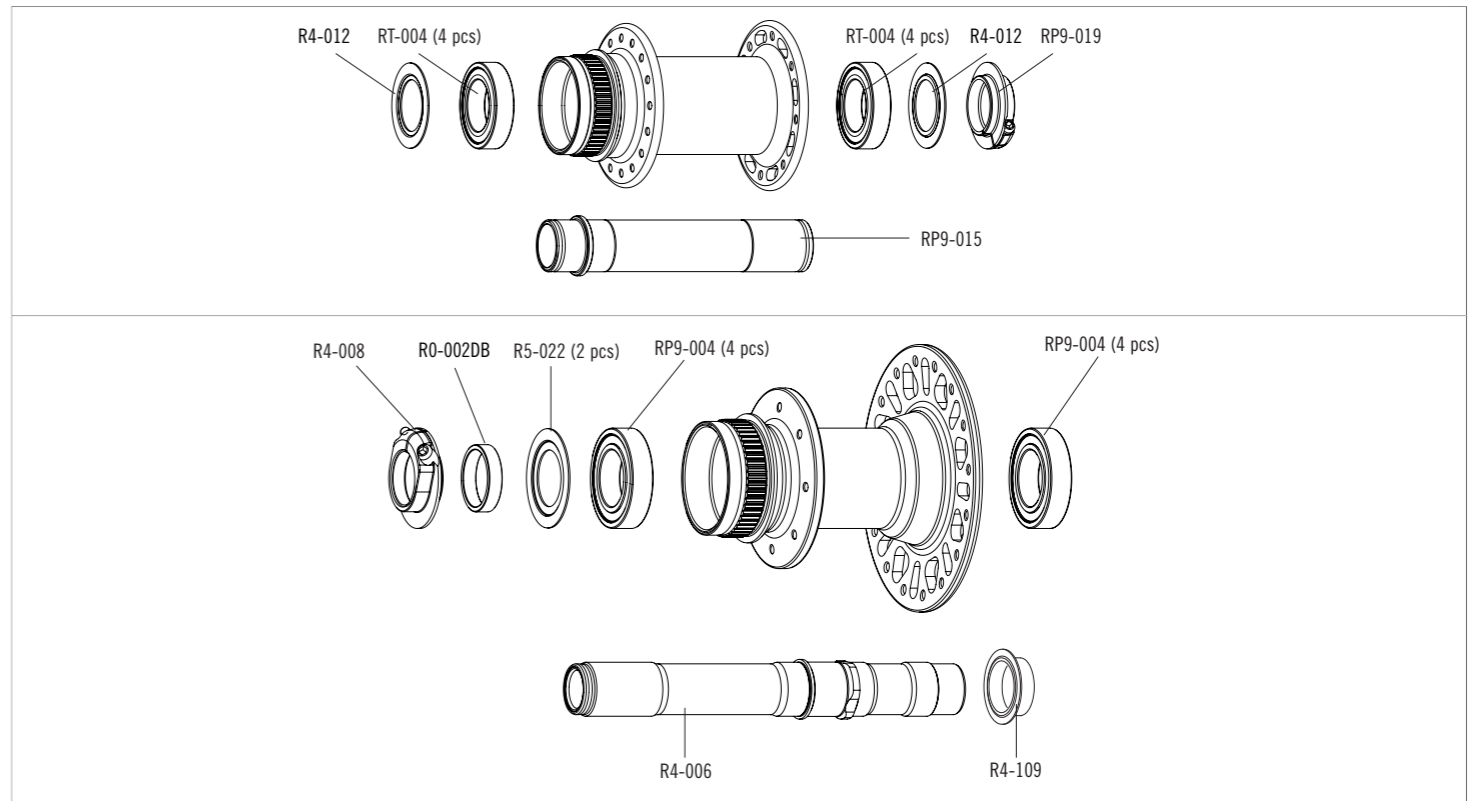
Spacer for HG11 FW body	RS-004	5 pcs - to be used only with 9/10s sprockets <i>(please note that every HG11 rear wheel/HG11 FW body package contains the spacer)</i>
KIT QR + QUICK RELEASE - FRONT	R5-QF16K	for front wheel - adapters + quick-release skewer
KIT QR + QUICK RELEASE - REAR	R5-QR16K	for rear wheel - adapters + quick-release skewer

**ADAPTERS FOR FRONT AND REAR AXLES ON PAGE 58**

# RACING 7B™ DB / 700B DB CLINCHER

AFS

## HUBS/MOZZI/MOYEUX



Complete FW body / Corpetti RL completi

R0-113 (HG 9/11) - RS-005 (Campagnolo) - R0-122 (XD) - R0-123 (XDR)

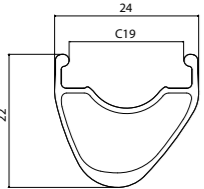
See exploded view pag. 56

# RACING 7™ DB / 700 DB CLINCHER

AFS

## RIMS & SPOKES/CERCHI E RAGGI

### RIM

	RIM-TAPE LABEL KIT VALVE HOLE DIAMETER	R7-RT01 (23 mm - 2 pcs) R7-LAB18D (front+rear) - R700-LAB18D (front+rear) 6,5 mm 622 X 19C
---	---	---

### SPOKES

SPOKE L. 283 (front RH)	R7F-DS283	4 spokes + 4 nipples
SPOKE L. 292 (front LH)	R7F-DS292	4 spokes + 4 nipples
SPOKE L. 290 (rear RH)	R7R-DS290	4 spokes + 4 nipples
SPOKE L. 277 (rear LH)	R7R-DS277	4 spokes + 4 nipples
NIPPLES	RZ7-B	50 pcs

### ACCESSORIES

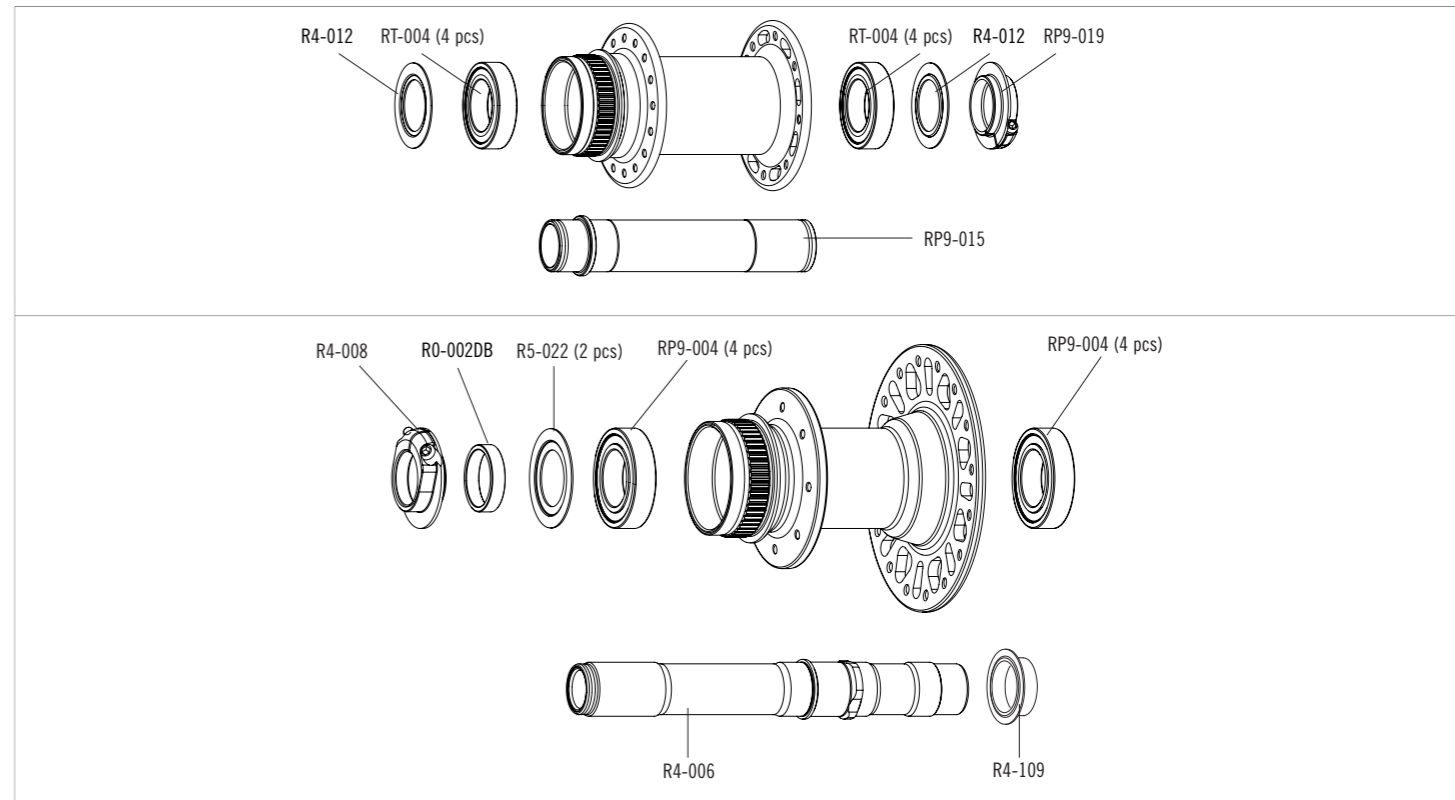
Spacer for HG11 FW body	RS-004	5 pcs - to be used only with 9/10s sprockets <i>(please note that every HG11 rear wheel/HG11 FW body package contains the spacer)</i>
KIT QR + QUICK RELEASE - FRONT	R5-QF16K	for front wheel - adapters + quick-release skewer
KIT QR + QUICK RELEASE - REAR	R5-QR16K	for rear wheel - adapters + quick-release skewer

**ADAPTERS FOR FRONT AND REAR AXLES ON PAGE 58**

# RACING 7™ DB / 700 DB CLINCHER

AFS

## HUBS/MOZZI/MOYEUX

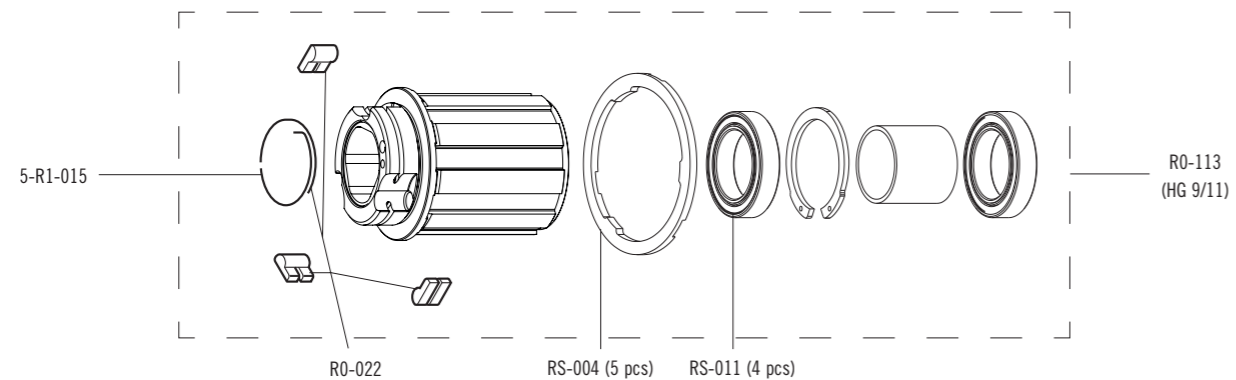
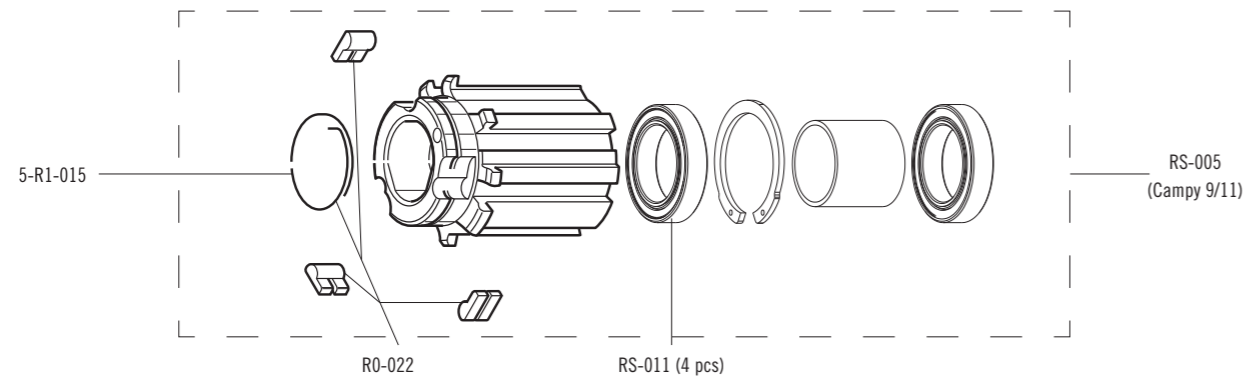


Complete FW body / Corpetti RL completi

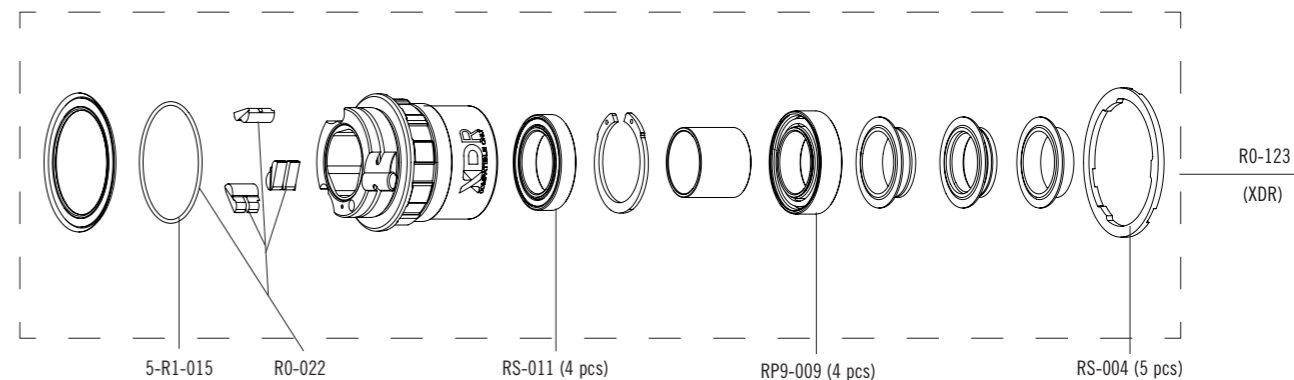
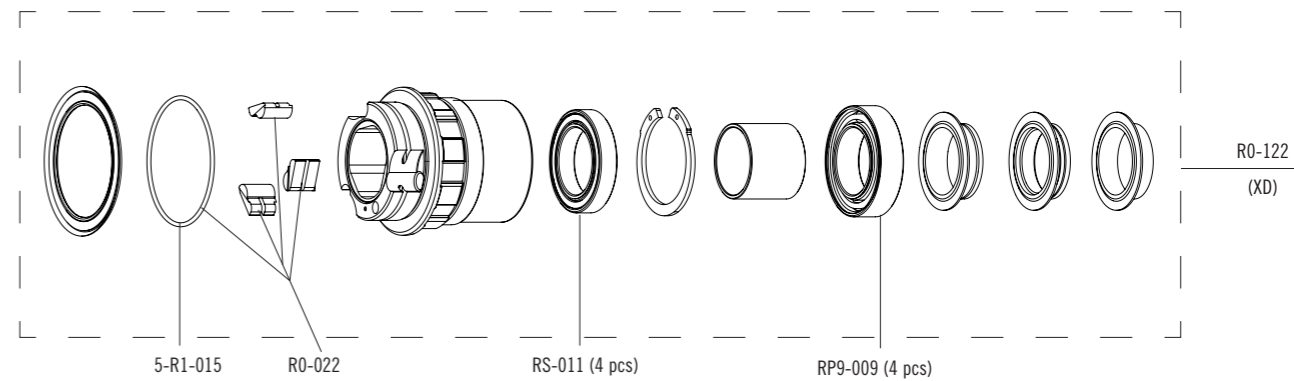
**R0-113** (HG 9/11) - **RS-005** (Campagnolo) - **R0-122** (XD) - **R0-123** (XDR)

See exploded view pag. 56

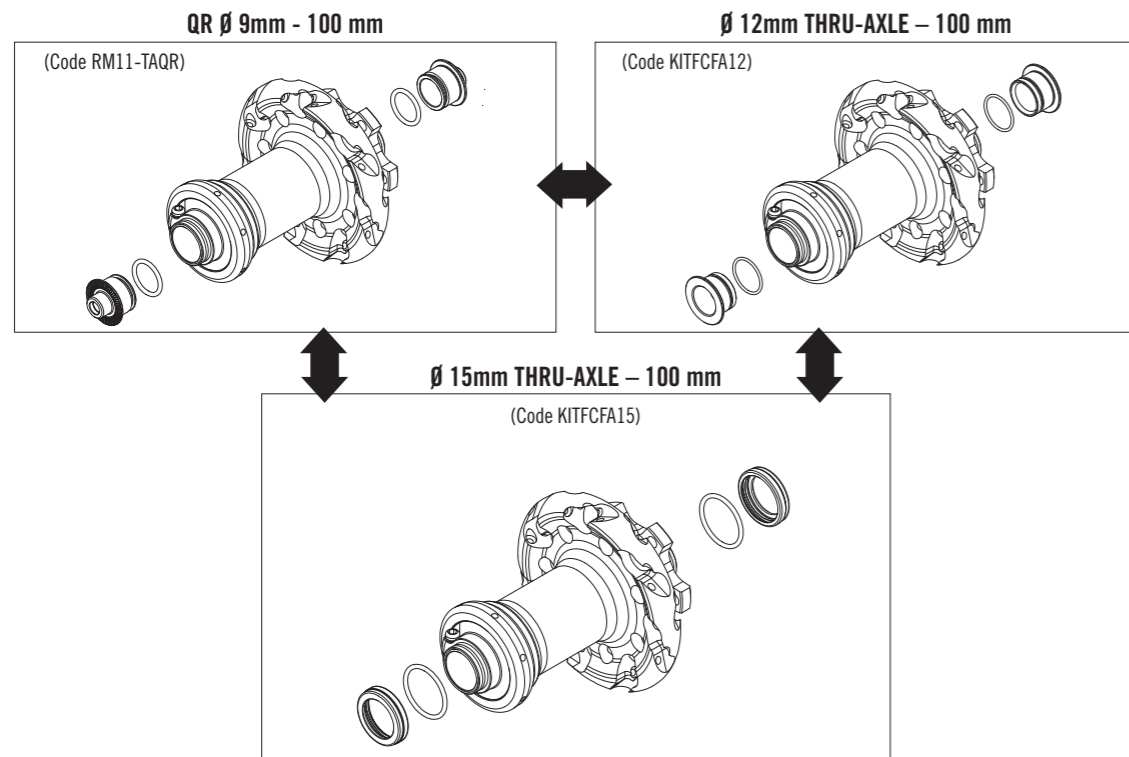
# FW BODIES ROAD WHEELS



# FW BODIES ROAD WHEELS



## ADAPTERS FOR ROAD DB FRONT AXLES



## ADAPTERS FOR ROAD DB REAR AXLES

