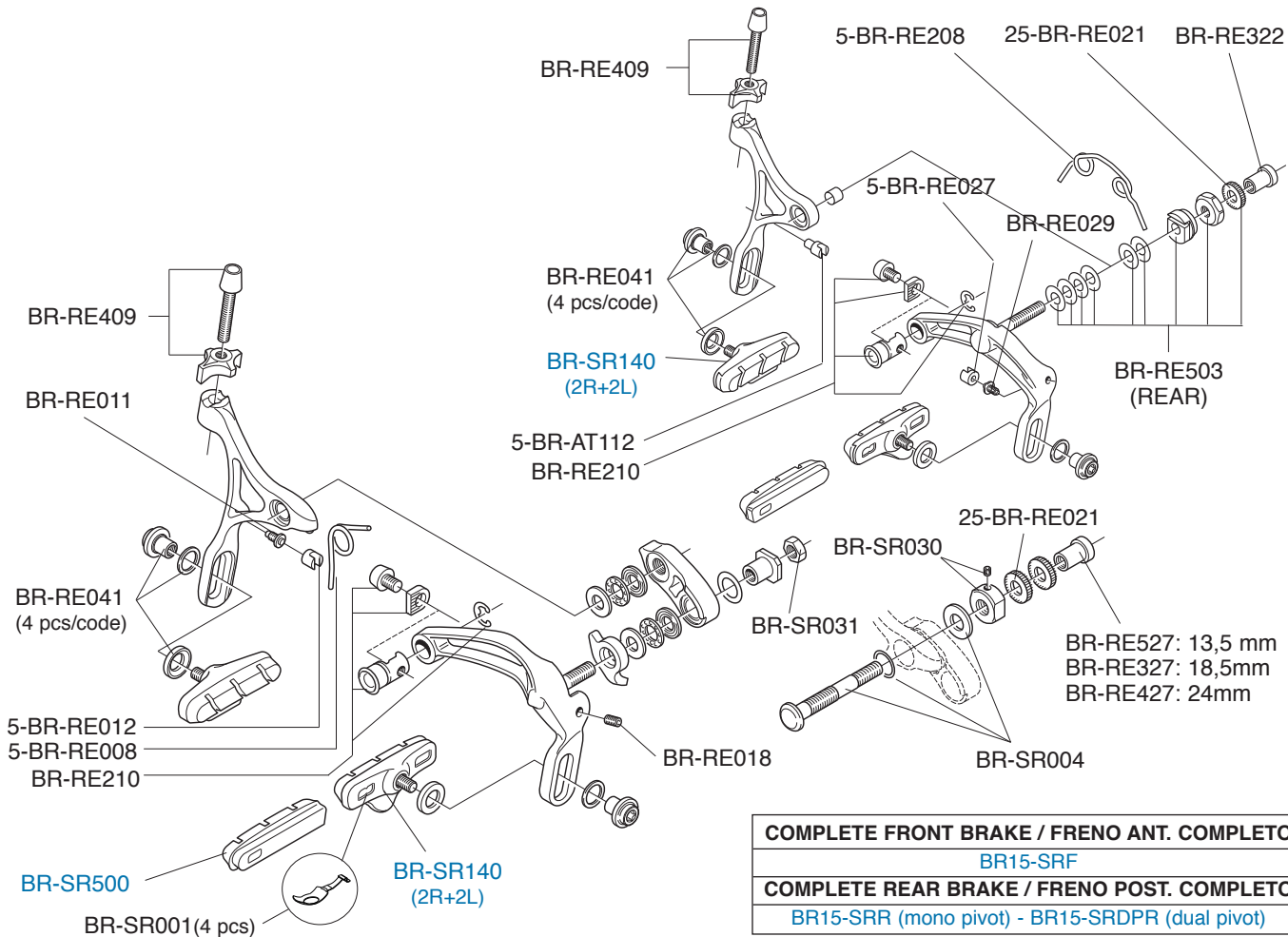


R.H. COMPLETE CONTROL LEVER / COMANDO DX COMPLETO
EP6-VLXFBR
L.H. COMPLETE CONTROL LEVER / COMANDO SX COMPLETO
EP6-VLXFBL

SUPER RECORD

SKELETON

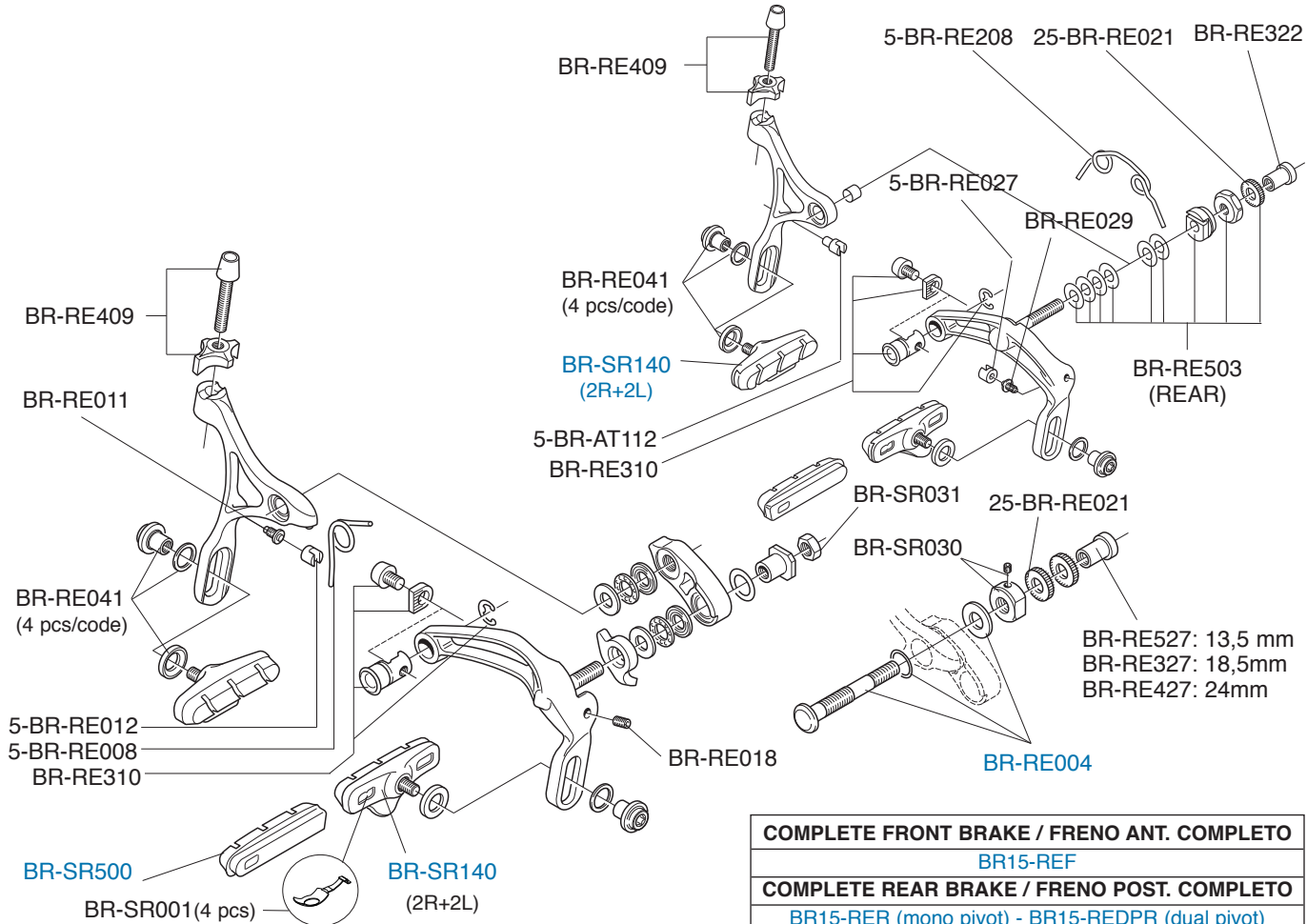


COMPLETE FRONT BRAKE / FRENO ANT. COMPLETO

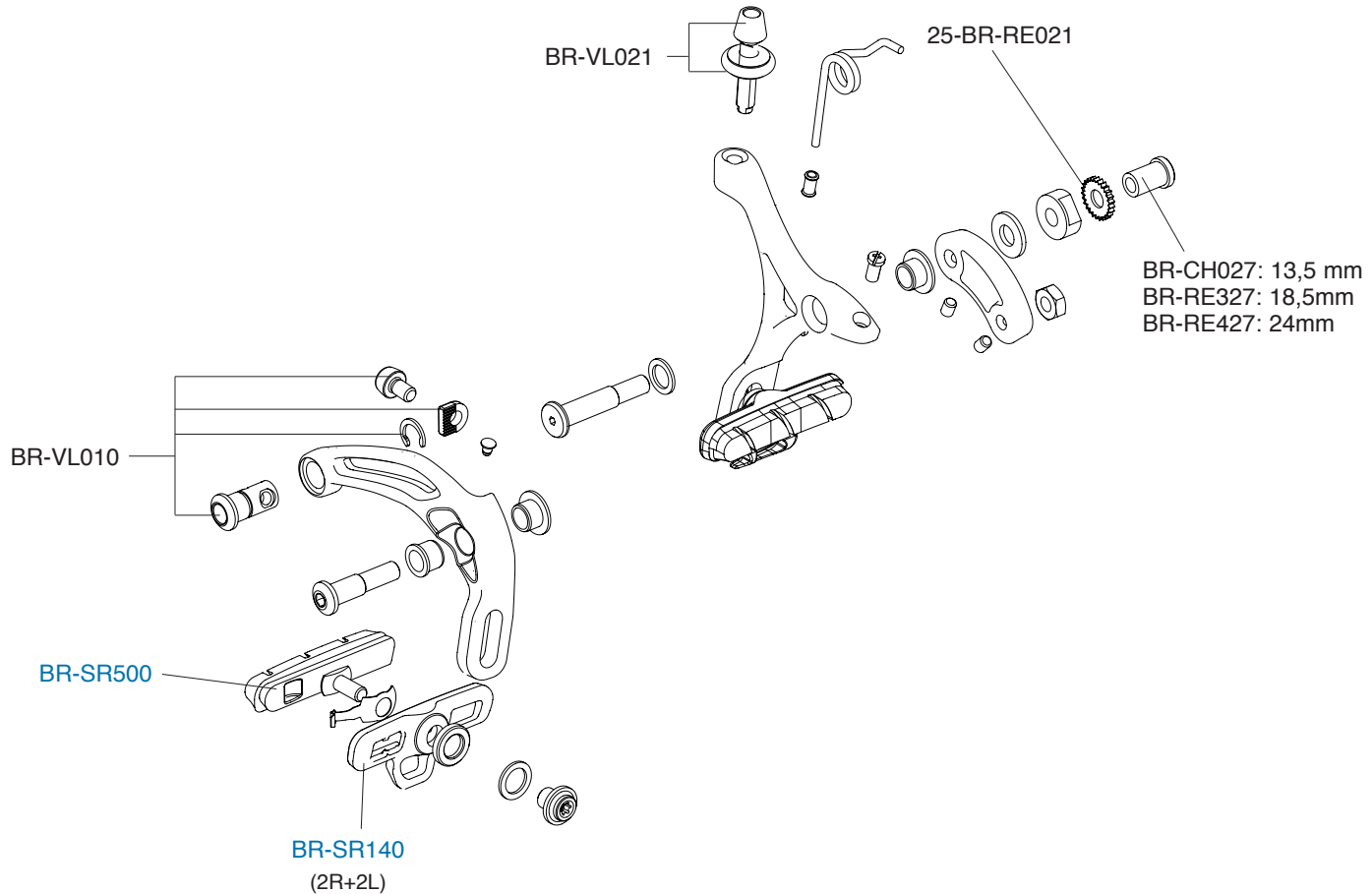
BR15-SRF

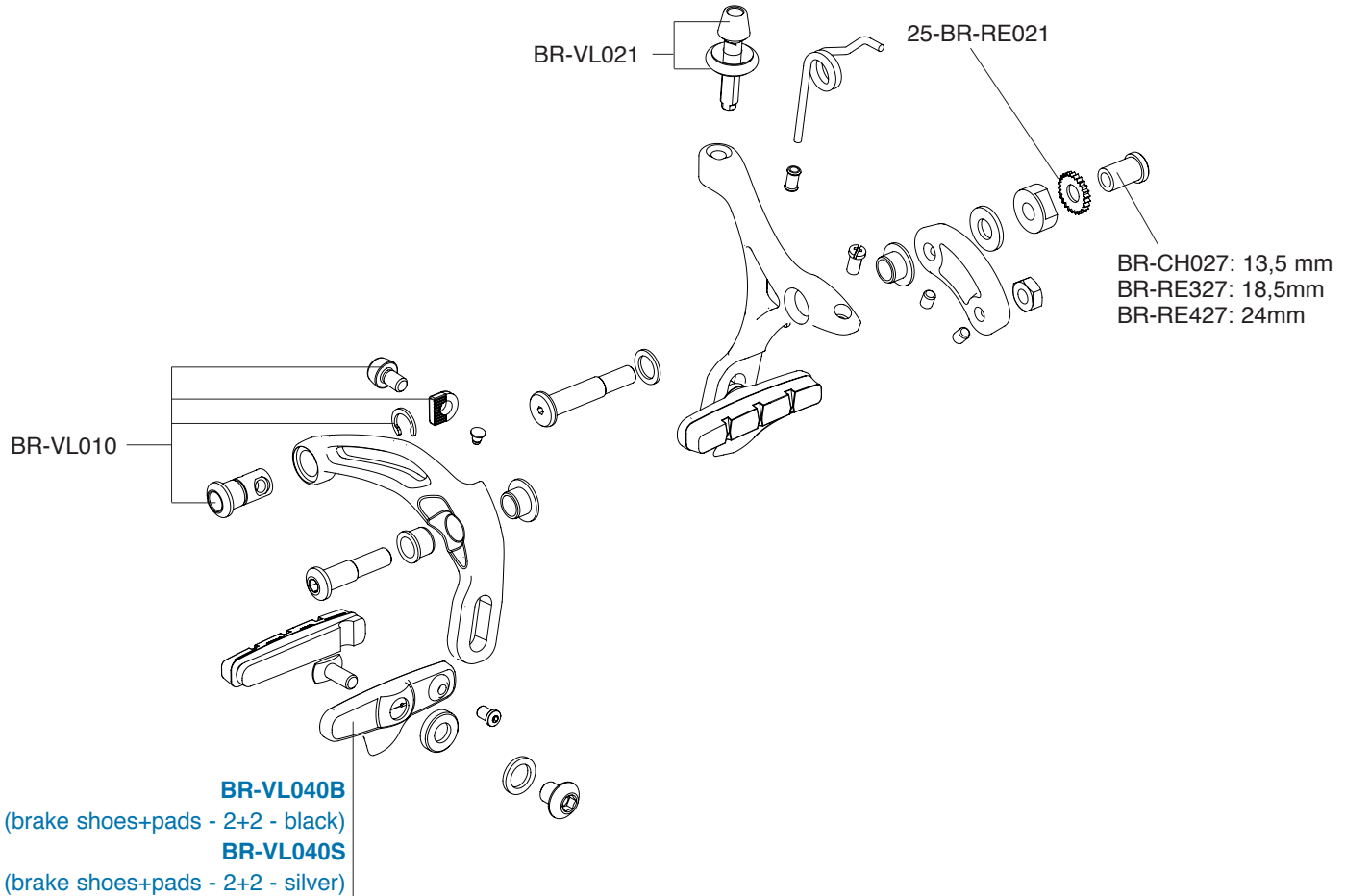
COMPLETE REAR BRAKE / FRENO POST. COMPLETO

BR15-SRR (mono pivot) - BR15-SRDPR (dual pivot)

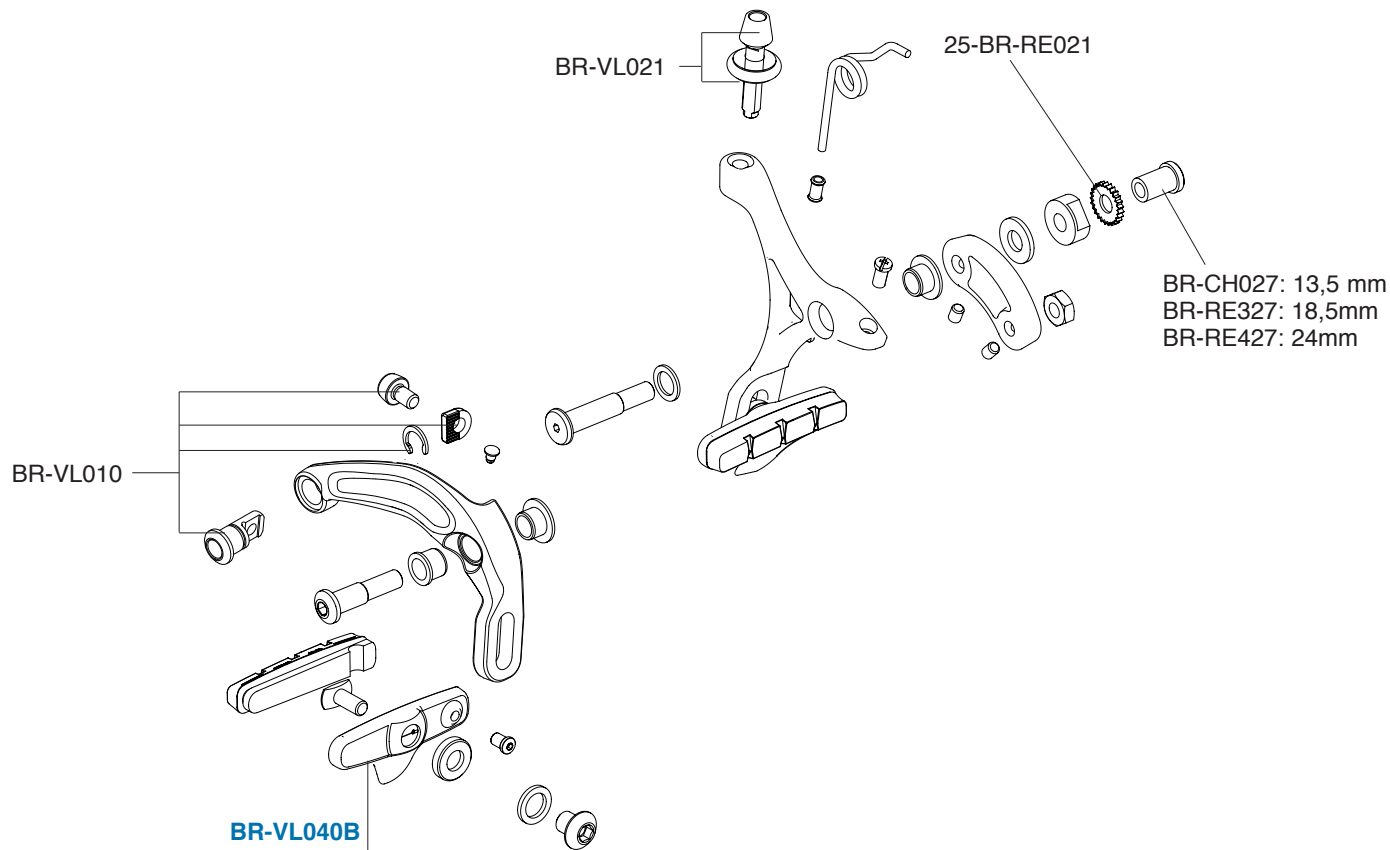


COMPLETE FRONT BRAKE / FRENO ANT. COMPLETO
BR15-REF
COMPLETE REAR BRAKE / FRENO POST. COMPLETO
BR15-RER (mono pivot) - BR15-REDPR (dual pivot)





VELOCE

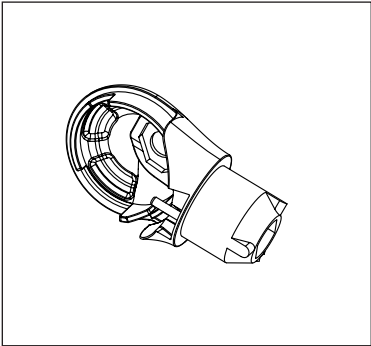


BR-VL040B

(brake shoes+pads - 2+2 - black)

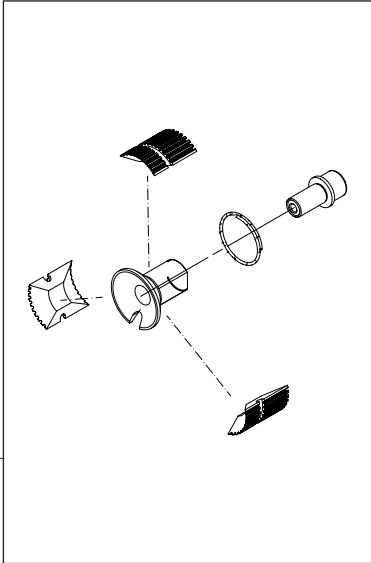
BR-VL040S

(brake shoes+pads - 2+2 - silver)



RECORD
RH: SL-RETT001EPS
LH: SL-RETT002EPS

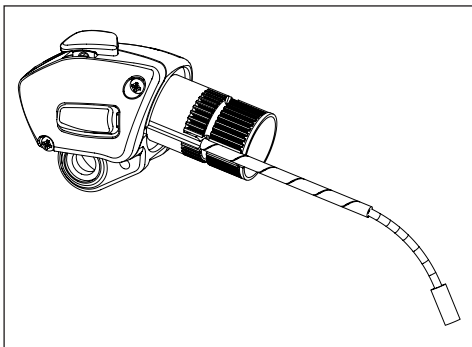
CHORUS
RH: SL-CHTT001EPS
LH: SL-CHTT002EPS



SL-TT008EPS

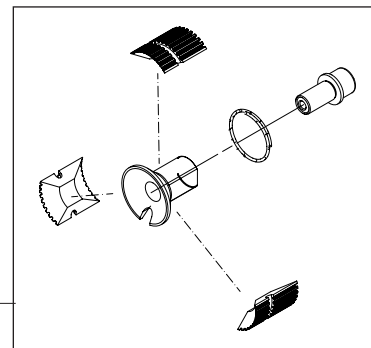
BRAKING LEVERS BAR-END EPS

BAR-END TT EPS

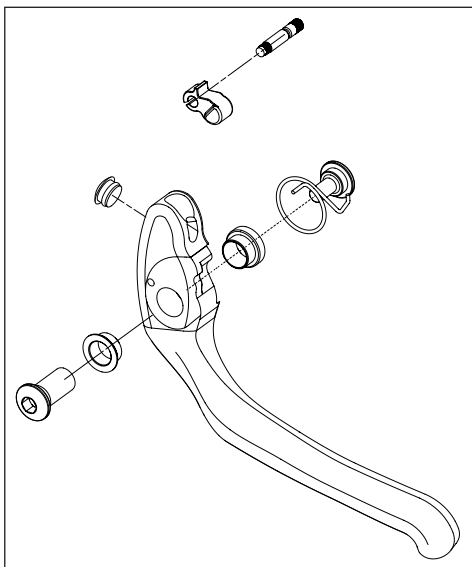


RECORD
RH: BL-RETT001EPS
LH: BL-RETT002EPS

CHORUS
RH: BL-CHTT001EPS
LH: BL-CHTT002EPS



SL-TT008EPS



RECORD
RH: BL-RETT003EPS
LH: BL-RETT004EPS

CHORUS
RH: BL-CHTT003EPS
LH: BL-CHTT004EPS

SHIFTING LEVERS 10S - 11S

BAR-END TT

R.H. COMPLETE CONTROL LEVER / COMANDO DX COMPLETO

SL12-TT10R - SL12-TT11R - [SL15-TT11CR](#)

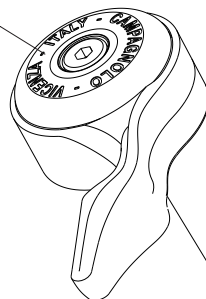
L.H. COMPLETE CONTROL LEVER / COMANDO SX COMPLETO

SL12-TT10L - SL12-TT11L - [SL15-TT11CL](#)

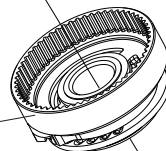
CABLES & CASINGS / CAVI E GUAINE

CG-SL500

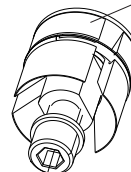
R: SL-TT003 (A) - SL-TT003C (C)
L: SL-TT004 (A) - SL-TT004C (C)



R: SL-TT005 (10s) - SL-TT007 (11s - A) - [SL-TT107 \(11S - C\)](#)
L: SL-TT106 (A) - [SL-TT106 \(C\)](#)

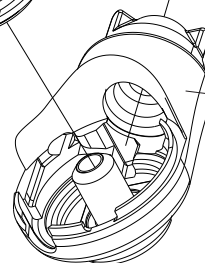


SL-TT008



R 10s: SL-TT001
R 11s: [SL-TT111C \(C\)](#)
R 11s: SL-TT011 (A)

L 10s: SL-TT002
L 11s: [SL-TT112C \(C\)](#)
L 11s: SL-TT012 (A)



BRAKE LEVERS

BAR-END TT

R.H. COMPLETE BRAKE LEVER / LEVA FRENO DX COMPLETA

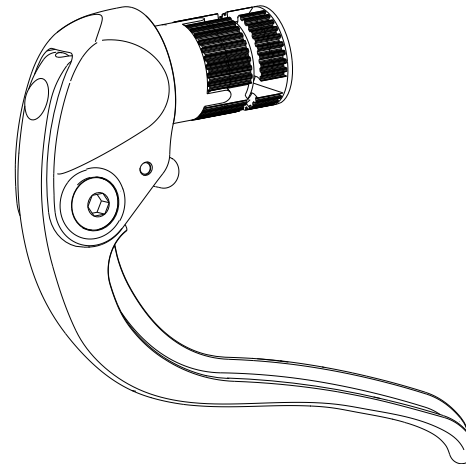
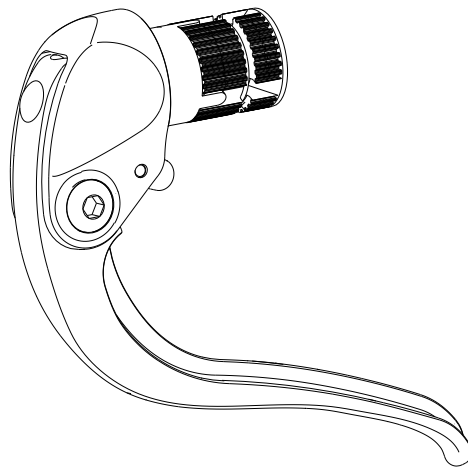
BL12-TTCR (carbon) - [BL15-TTR](#) (alu)

L.H. COMPLETE BRAKE LEVER / LEVA FRENO SX COMPLETA

BL12-TTCL (carbon) - [BL15-TTL](#) (alu)

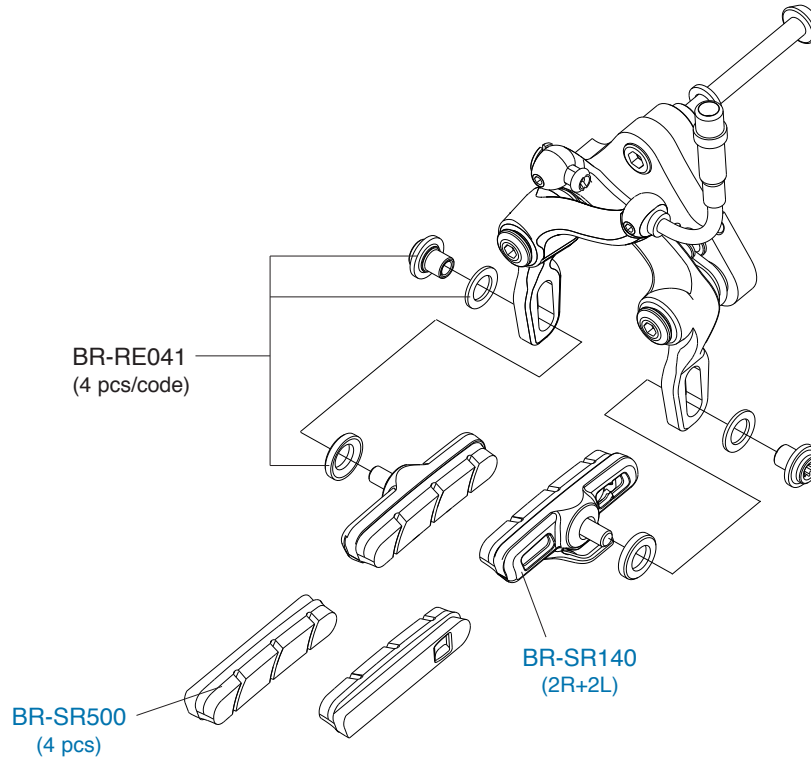
CABLES & CASINGS / CAVI E GUAINA

CG-BL500



FRONT BRAKE

TT



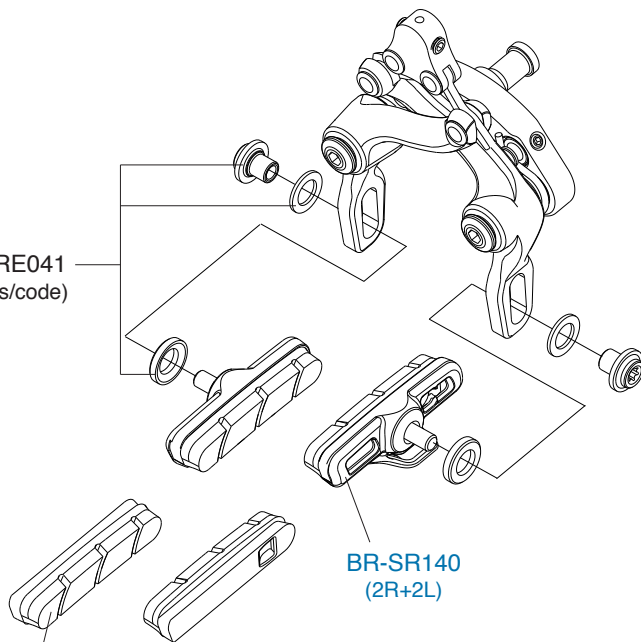
REAR BRAKES

TT

LATERAL PULL

CENTRAL PULL

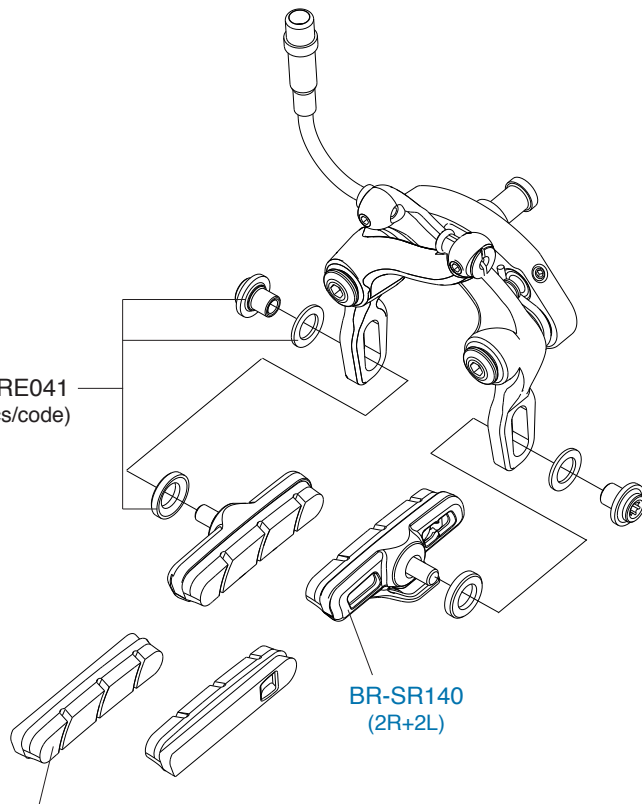
BR-RE041
(4 pcs/code)



BR-SR140
(2R+2L)

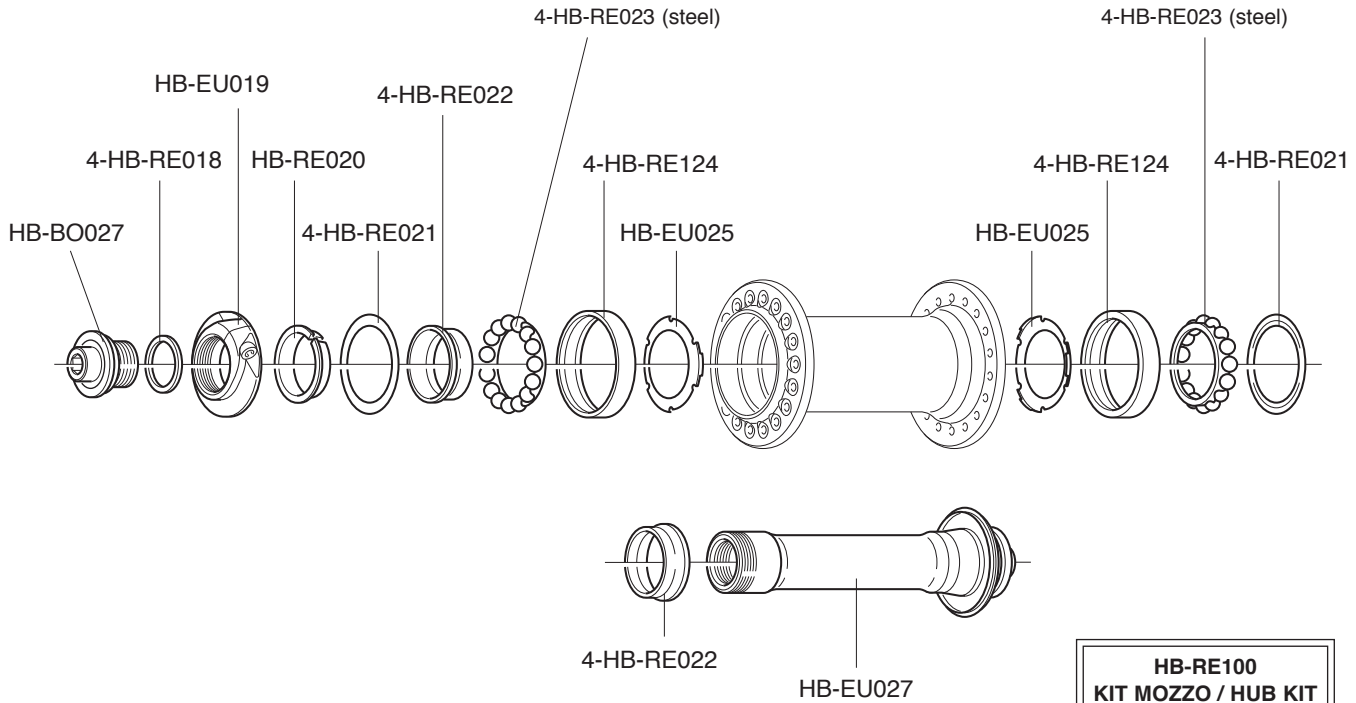
BR-SR500
(4 pcs)

BR-RE041
(4 pcs/code)



BR-SR140
(2R+2L)

BR-SR500
(4 pcs)



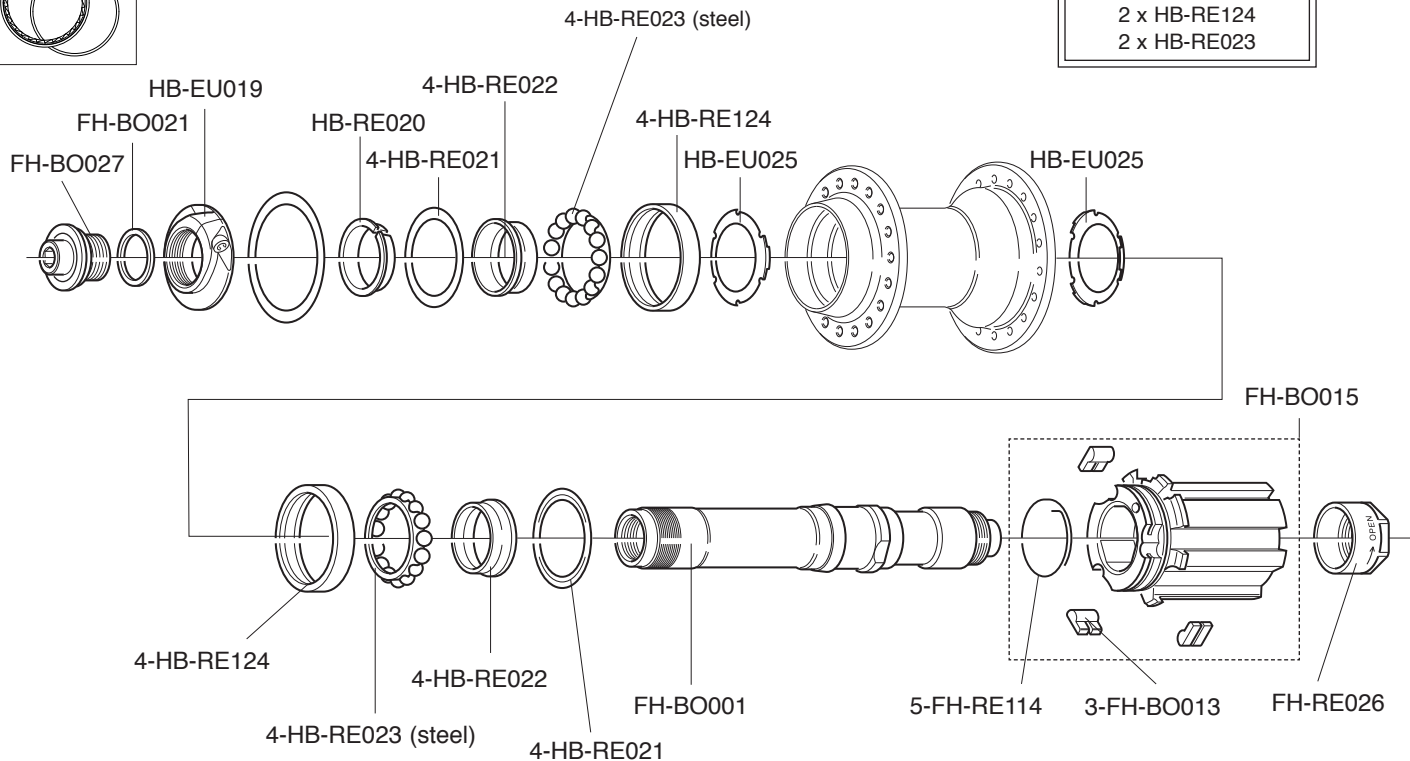
- | |
|---|
| <p>HB-RE100
KIT MOZZO / HUB KIT</p> <ul style="list-style-type: none">2 x HB-RE0212 x HB-RE0222 x HB-RE1242 x HB-RE023 |
|---|

HB-BO031 (3 pcs)
 RATCHET RING /
 INSERTO A
 CREMAGLIERA
 (SERVICE CENTER only)



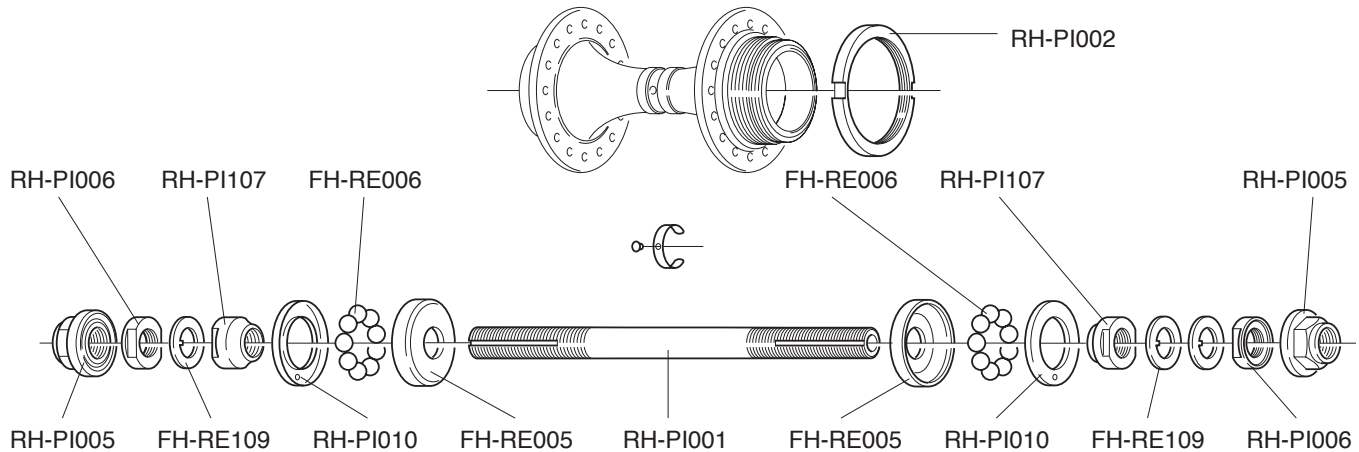
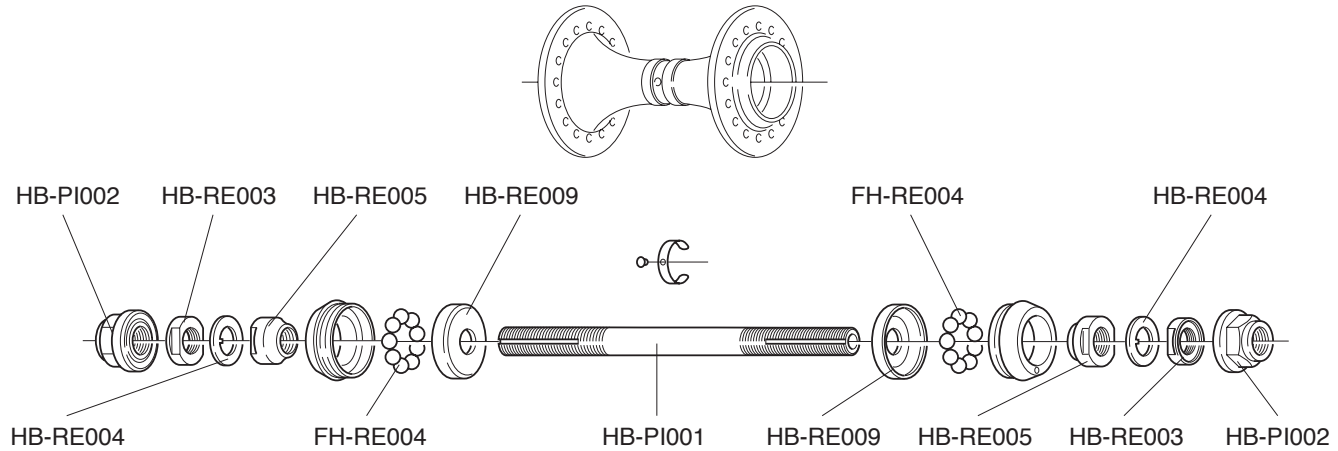
**HB-RE100
 KIT MOZZO / HUB KIT**

- 2 x HB-RE021
- 2 x HB-RE022
- 2 x HB-RE124
- 2 x HB-RE023

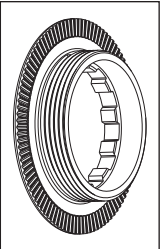

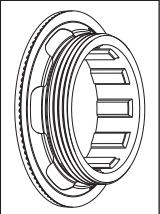


RECORD PISTA

FRONT - REAR



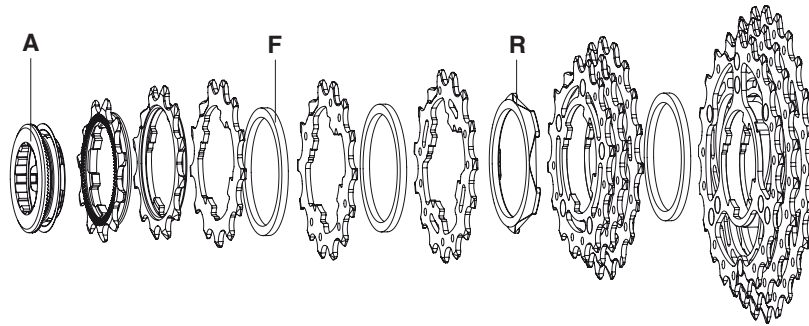
GHIERE - LOCKRINGS - ECROUS - VERSCHLUSSRING

	CODE CODICE	TYPE TIPO	RANGE GAMMA	HUB COMPATIBILITY COMPATIBILITÀ MOZZI	
	CS-401	<i>9s / 10s</i> "oversize" thread/fil.: 27 x 1	steel / acciaio	2000 e succ. 2000 and following	all groups / tutti i gruppi all wheels / tutte le ruote
				1999	RECORD™ - CHORUS™ all wheels / tutte le ruote
	CS-501	<i>9s / 10s</i> "oversize" thread/fil.: 27 x 1	steel / acciaio (for Z. 11)	2000 e succ. 2000 and following	all groups / tutti i gruppi all wheels / tutte le ruote
				1999	RECORD™ - CHORUS™ all wheels / tutte le ruote
	CS-112	<i>11^{SPEED} only</i> thread/fil.: 27 x 1	alloy / alluminio	2009 e succ. 2009 and following	only 11s sprocket sets / solo pacchi pignoni 11s
	CS-111	<i>11^{SPEED} only</i> thread/fil.: 27 x 1	alloy / alluminio (for Z. 11)	2009 e succ. 2009 and following	only 11s sprocket sets / solo pacchi pignoni 11s

SUPER RECORD 11S

STEEL - TITANIUM

A	CS-112	<i>11s only</i>
	CS-111	<i>11s only</i> (for Z 11)
F	2-CS-612 (2 pcs)	2,2 mm
R	2-CS-712 (2 pcs)	2,3 mm



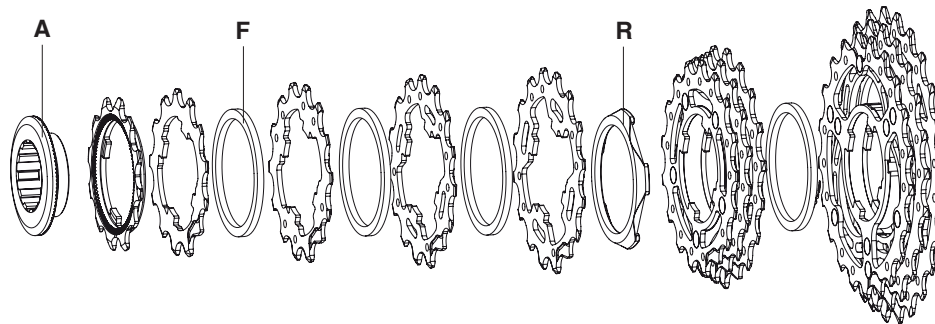
11-23	A	11A-1°	12A-2°	13A	F	14A	F	15A	R	16A-17A-18A*	F	19A-21A-23A*
		11S-011	11S-022	11S-131		11S-141		11S-151		11S-678T		11S-913T
11-25	A	11A-1°	12A-2°	13A	F	14A	F	15A	R	16A-17A-19B*	F	21B-23B-25B*
		11S-011	11S-022	11S-131		11S-141		11S-151		11S-679T		11S-135BT
11-27	A	11D-1°	12DD-2°	13D	F	14D	F	15D	R	17A-19B-21B*	F	23B-25B-27B*
		11S-111	11S-124	11S-134		11S-144		11S-154		11S-791T		11S-357T
11-29	A	11D-1°	12DD-2°	13D	F	14D	F	15D	R	17A-19B-21B*	F	23B-26B-29B*
		11S-111	11S-124	11S-134		11S-144		11S-154		11S-791T		11S-369T

* pre-assembled

SUPER RECORD 11S

STEEL - TITANIUM

A	CS-112	<i>11s only</i>
	CS-111	<i>11s only</i> (for Z 11)
F	2-CS-612 (2 pcs)	2,2 mm
R	2-CS-712 (2 pcs)	2,3 mm



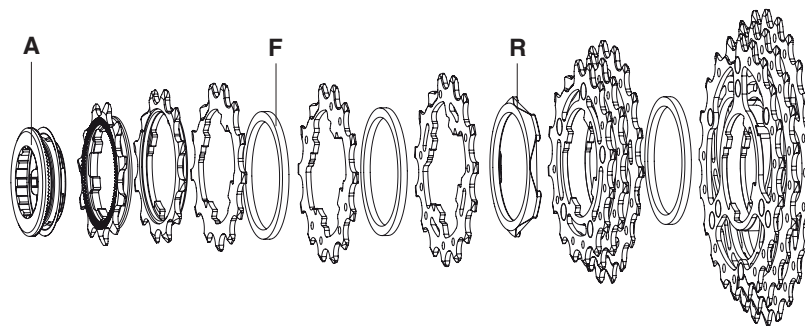
12-25	A	12A-1°	13A	F	14A	F	15A	F	16A	R	17A-18A-19A*	F	21A-23A-25A*
		11S-012	11S-131		11S-141		11S-151		11S-161		11S-789T		11S-135AT
12-27	A	12A-1°	13A	F	14A	F	15A	F	16A	R	17A-19B-21B*	F	23B-25B-27B*
		11S-012	11S-131		11S-141		11S-151		11S-161		11S-791T		11S-357T
12-29	A	12A-1°	13A	F	14A	F	15A	F	16A	R	17A-19B-21B*	F	23B-26C-29C*
		11S-012	11S-131		11S-141		11S-151		11S-161		11S-791T		11S-369T

* pre-assembled

RECORD 11S

STEEL - TITANIUM

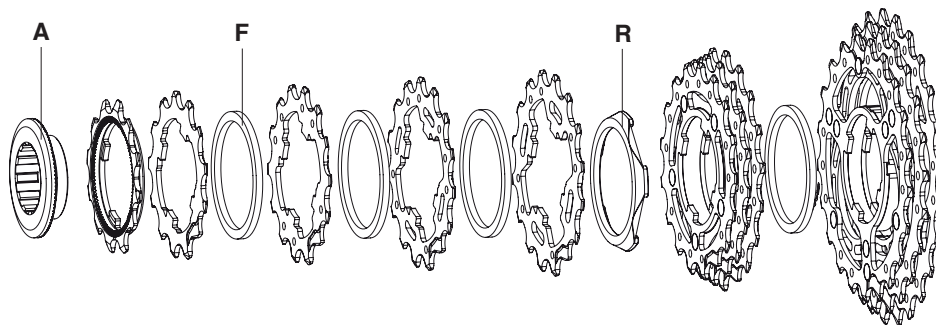
A	CS-112	<i>11s only</i>
	CS-111	<i>11s only</i> (for Z 11)
F	2-CS-612 (2 pcs)	2,2 mm
R	2-CS-712 (2 pcs)	2,3 mm



11-23	A	11A-1°	12A-2°	13A	F	14A	F	15A	R	16A-17A-18A*	F	19A-21A-23A*
		11S-011	11S-022	11S-131		11S-141		11S-151		11S-678		11S-913T
11-25	A	11A-1°	12A-2°	13A	F	14A	F	15A	R	16A-17A-19B*	F	21B-23B-25B*
		11S-011	11S-022	11S-131		11S-141		11S-151		11S-679		11S-135BT
11-27	A	11D-1°	12DD-2°	13D	F	14D	F	15D	R	17A-19B-21B	F	23B-25B-27B*
		11S-111	11S-124	11S-134		11S-144		11S-154		11S-791		11S-357T
11-29	A	11D-1°	12DD-2°	13D	F	14D	F	15D	R	17A-19B-21B	F	23B-26B-29B*
		11S-111	11S-124	11S-134		11S-144		11S-154		11S-791		11S-369T

* pre-assembled

A	CS-112	<i>11s only</i>
	CS-111	<i>11s only</i> (for Z 11)
F	2-CS-612 (2 pcs)	2,2 mm
R	2-CS-712 (2 pcs)	2,3 mm



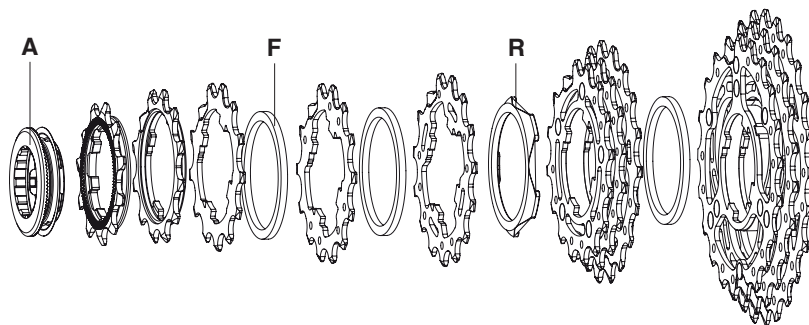
12-25	A	12A-1°	13A	F	14A	F	15A	F	16A	R	17A-18A-19A*	F	21A-23A-25A*
		11S-012	11S-131		11S-141		11S-151		11S-161		11S-789		11S-135AT
12-27	A	12A-1°	13A	F	14A	F	15A	F	16A	R	17A-19B-21B*	F	23B-25B-27B*
		11S-012	11S-131		11S-141		11S-151		11S-161		11S-791		11S-357T
12-29	A	12A-1°	13A	F	14A	F	15A	F	16A	R	17A-19B-21B*	F	23B-26C-29C*
		11S-012	11S-131		11S-141		11S-151		11S-161		11S-791		11S-369T

* pre-assembled

CHORUS 11S

STEEL

A	CS-112	<i>11s only</i>
	CS-111	<i>11s only</i> (for Z 11)
F	2-CS-612 (2 pcs)	2,2 mm
R	2-CS-712 (2 pcs)	2,3 mm



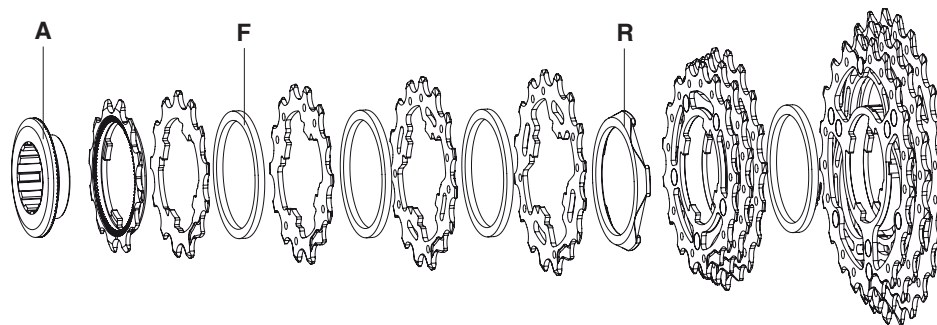
11-23	A	11A-1°	12A-2°	13A	F	14A	F	15A	R	16A-17A-18A*	F	19A-21A-23A*
		11S-011	11S-022	11S-131		11S-141		11S-151		11S-678		11S-913
11-25	A	11A-1°	12A-2°	13A	F	14A	F	15A	R	16A-17A-19B*	F	21B-23B-25B*
		11S-011	11S-022	11S-131		11S-141		11S-151		11S-679		11S-135B
11-27	A	11D-1°	12DD-2°	13D	F	14D	F	15D	R	17A-19B-21B	F	23B-25B-27B
		11S-111	11S-124	11S-134		11S-144		11S-154		11S-791		11S-357
11-29	A	11D-1°	12DD-2°	13D	F	14D	F	15D	R	17A-19B-21B	F	23B-26B-29B
		11S-111	11S-124	11S-134		11S-144		11S-154		11S-791		11S-369

* pre-assembled

CHORUS 11S

STEEL

A	CS-112	<i>11s only</i>
	CS-111	<i>11s only</i> (for Z 11)
F	2-CS-612 (2 pcs)	2,2 mm
R	2-CS-712 (2 pcs)	2,3 mm



12-25	A	12A-1°	13A	F	14A	F	15A	F	16A	R	17A-18A-19A*	F	21A-23A-25A*
		11S-012	11S-131		11S-141		11S-151		11S-161		11S-789		11S-135A
12-27	A	12A-1°	13A	F	14A	F	15A	F	16A	R	17A-19B-21B*	F	23B-25B-27B*
		11S-012	11S-131		11S-141		11S-151		11S-161		11S-791		11S-357
12-29	A	12A-1°	13A	F	14A	F	15A	F	16A	R	17A-19B-21B*	F	23B-26C-29C*
		11S-012	11S-131		11S-141		11S-151		11S-161		11S-791		11S-369

* pre-assembled

CENTAUR 10S

VELOCE 10S COMPATIBLE

DISTANZIALI / SPACERS

G = CS-602 (2,55 mm)

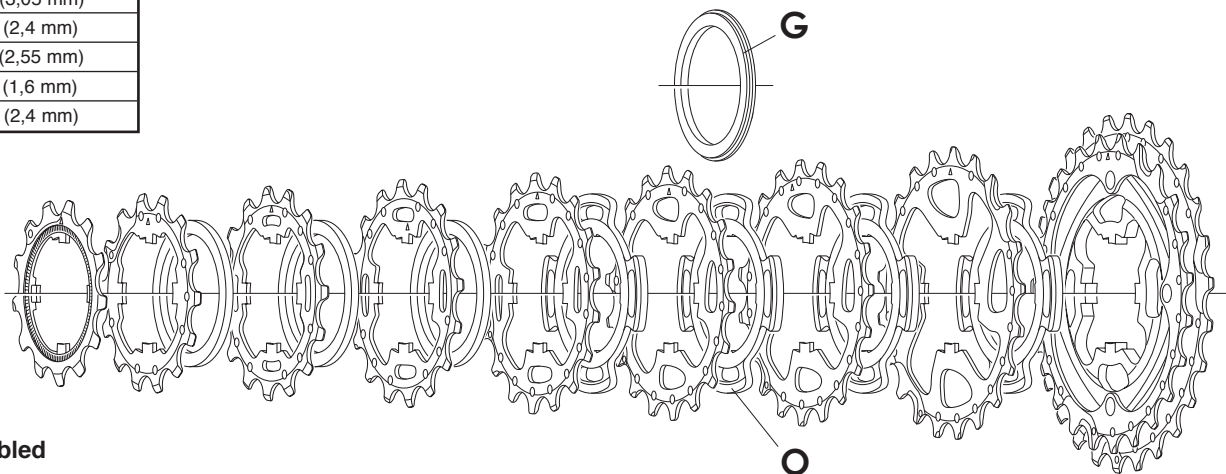
M = CS-606 (3,05 mm)

N = CS-607 (2,4 mm)

O = CS-609 (2,55 mm)

P = CS-608 (1,6 mm)

Q = CS-610 (2,4 mm)



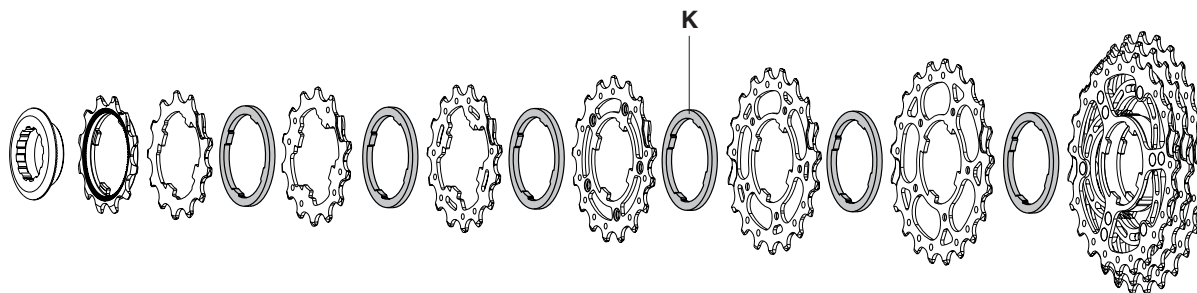
* pre-assembled

11 - 23	11A-1° 10S-011	12A-2° 10S-022	13A 10S-131	Q	14A 10S-141	Q	15A 10S-151	Q	16A 10S-161	G	17A 10S-171	N	19A 10S-191	M	21A-23A* 10S-13A			
11 - 25	11A-1° 10S-011	12A-2° 10S-022	13A 10S-131	Q	14A 10S-141	Q	15A 10S-151	Q	17G 10S-177	O	19G 10S-197	N	21G 10S-217	M	23G-25G* 10S-35G			
12 - 25	12A-1° 10S-032	13A 10S-131	Q	14A 10S-141	Q	15A 10S-151	Q	16A 10S-161	Q	17A 10S-171	O	19A 10S-191	N	21A 10S-211	M	23A-25A* 10S-35A		
13 - 26	13A-1° 10S-023	14A 10S-141	Q	15A 10S-151	Q	16A 10S-161	Q	17A 10S-171	N	18C 10S-183	O	19C 10S-193	N	21C 10S-213	M	23C-26C* 10S-36C		
13 - 29	13A-1° 10S-023	14A 10S-141	Q	15A 10S-151	Q	16A 10S-161	Q	17A 10S-171	N	19A 10S-191	O	21A 10S-211	N	23A 10S-231	M	26A-29A* 10S-69A		
14 - 23	14A-1° 10S-014	15A 10S-151	Q	16A 10S-161	Q	17A 10S-171	Q	18C 10S-183	N	19C 10S-193	O	20D 10S-204	N	21D 10S-214	N	22D 10S-224	P	23D 10S-234

CENTAUR 10S

STEEL

K	2-CS-812 (2 pcs)	2,6 mm
----------	----------------------------	---------------



12 - 27	12D-1° 10S-042	13D 10S-134	K	14D 10S-144	K	15D 10S-154	K	17A 10S-17127	K	19B 10S-192	K	21B 10S-212	K	23B-25B-27B* 10S-357
12 - 30	12D-1° 10S-042	13D 10S-134	K	14D 10S-144	K	15D 10S-154	K	17A 10S-17127	K	19B 10S-192	K	21B 10S-212	K	24B-27B-30B* 10S-470

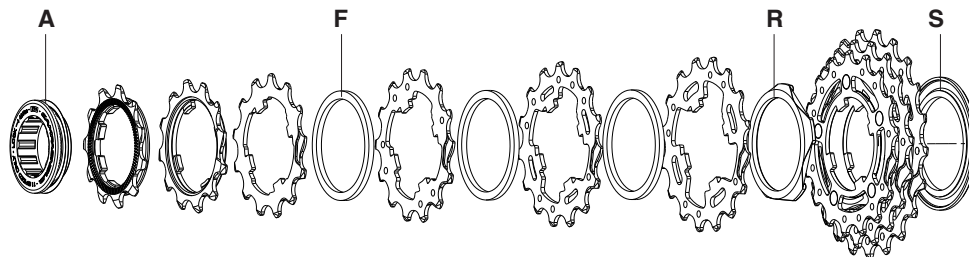
* pre-assembled

A	CS-111	<i>11s only</i> (for Z 11)
----------	---------------	-------------------------------

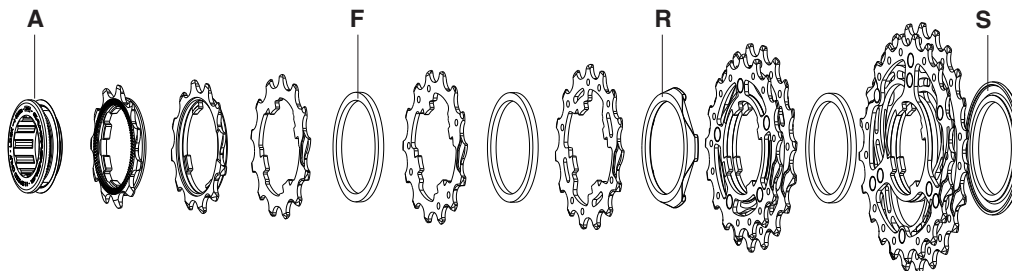
R	2-CS-712 (2 pcs)	2,3 mm
----------	----------------------------	---------------

F	2-CS-612 (2 pcs)	2,2 mm
----------	----------------------------	---------------

S	CS-613 (2 pcs)	2,5 mm
----------	--------------------------	---------------

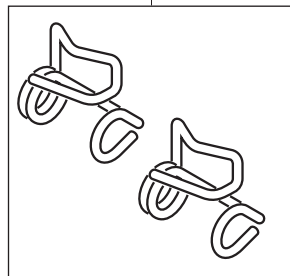


11-21	A	11A-1°	12A-2°	13A	F	14A	F	15A	F	16A	R	17A-19A-21A*	S
		11S-011	11S-022	11S-131		11S-141		11S-151		11S-161		11S-791	

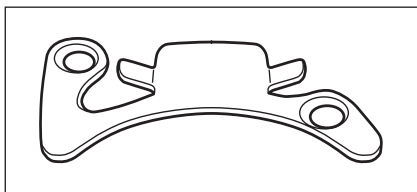
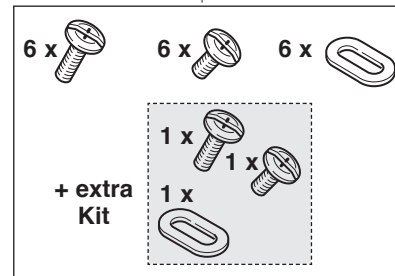


11-23	A	11A-1°	12A-2°	13A	F	14A	F	15A	R	17A-19A*	F	21A-23A*	S
		11S-011	11S-022	11S-131		11S-141		11S-151		11S-79GH		11S-13GH	

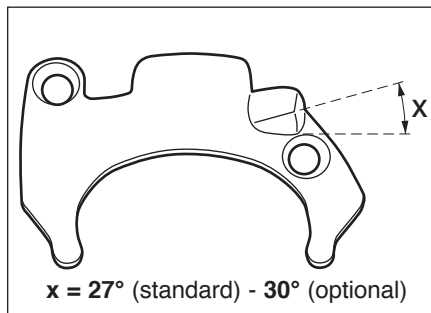
R + L: PD-RE105



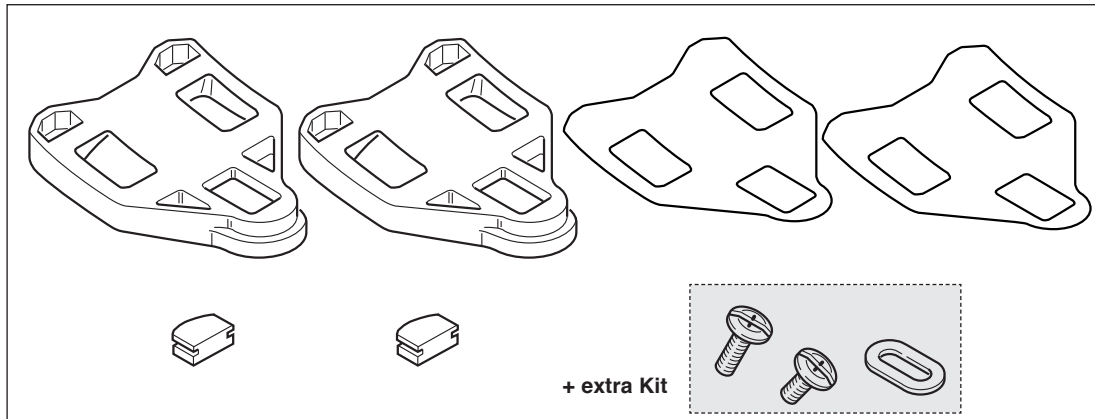
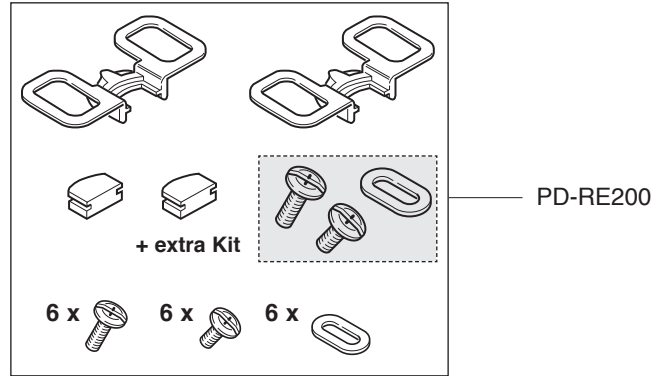
PD-RE116



PRO-FIT™
PD-RE111









PRO-FIT PLUS™
PD-RE110: standard - 27°
PD-RE109: HRE - optional - 30°



PD-RE020 FLOATING CLEATS - PD-RE021 FIXED CLEATS




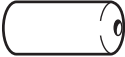

ULTRA-SHIFT & POWER-SHIFT

FOR ERGOWPOWER CONTROL LEVERS

		COMPLETE SET	
		BLACK	CG-ER600
		WHITE	CG-ER600W
		RED	CG-ER600R
		FRONT	REAR
BRAKES		Ø 1,6 mm L. 800 mm CG-CB003	Ø 1,6 mm L. 1600 mm 10-CG-CB013 (10 pcs.)
DERAILLEURS		L. 1600 CG-CB014	
	Ø 1,2 mm	L. 2000 10-CG-CB009 (10 pcs.)	
		Ø 5,7 mm 10-CG-CS112 (for CG-CS115 and CG-CS108 - sealed / con guarnizione - 10 pcs.)	
		Ø 5,7/4 mm 5-CG-CS113 (for CG-CS115 and CG-CS108 - sealed / con guarnizione - 5 pcs.)	
		CG-CB001 (casings tension adjuster / regolatore tensione guaine - 5 pcs.)	
	CG-CB101 (cable tension adjuster / regolatore tensione cavo - 5 pcs.)		

ALL VERSIONS (except for ULTRA-SHIFT & POWER-SHIFT)

FOR ERGOPOWER CONTROL LEVERS

		FRONT	REAR	
BRAKES		Ø 1,6 mm L. 800 mm CG-CB003	Ø 1,6 mm L. 1600 mm 10-CG-CB013 (10 pcs.)	
		Ø 6 mm 10-CG-CS011 (10 pcs.) (not sealed / senza guarnizione)		
DERAILLEURS		ERGOPOWER	L. 1600	CG-CB014
	Ø 1,2 mm	ERGOPOWER	L. 2000	10-CG-CB009 (10 pcs.)
		Ø 5,7 mm 10-CG-CS012 (for CG-CS015 and CG-CS008 - sealed / con guarnizione - 10 pcs.)		
	Ø 5,7/4 mm 5-CG-CS013 (for CG-CS015 and CG-CS008 - sealed / con guarnizione - 5 pcs.)			

TRADITIONAL LEVERS: CG-BR201 (brakes) - CG-DD101 (derailleurs)