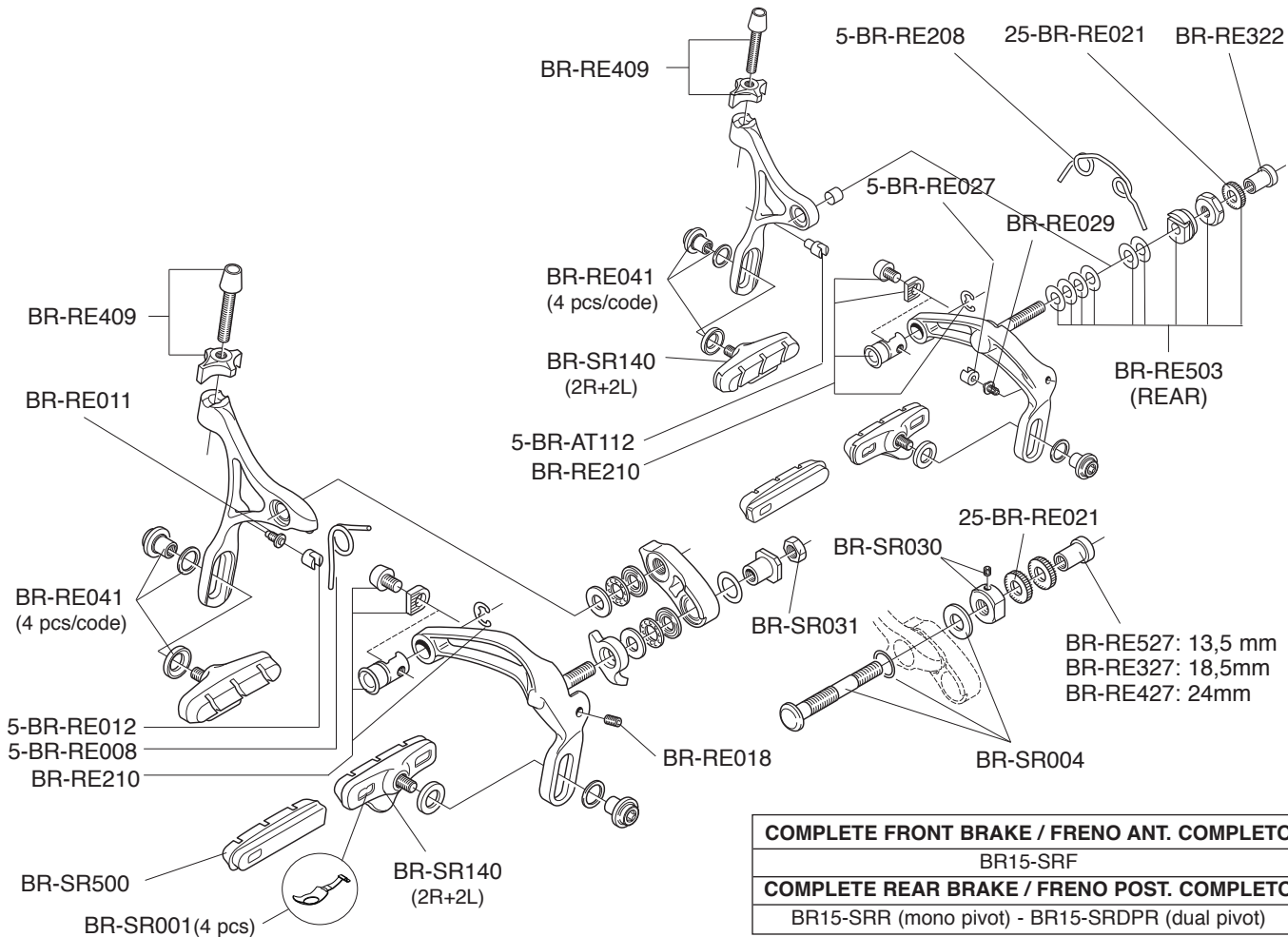


# SUPER RECORD

SKELETON

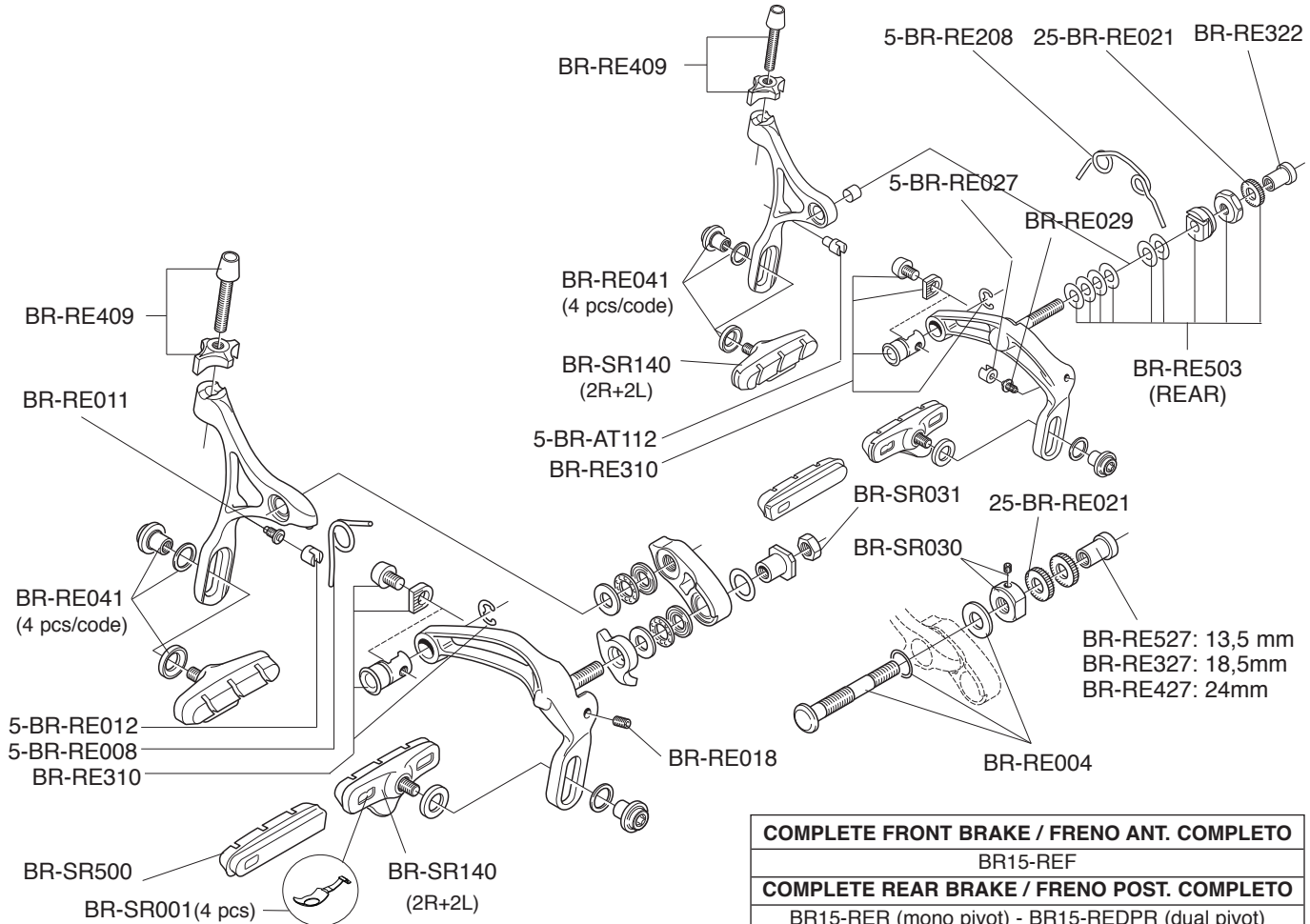


**COMPLETE FRONT BRAKE / FRENO ANT. COMPLETO**

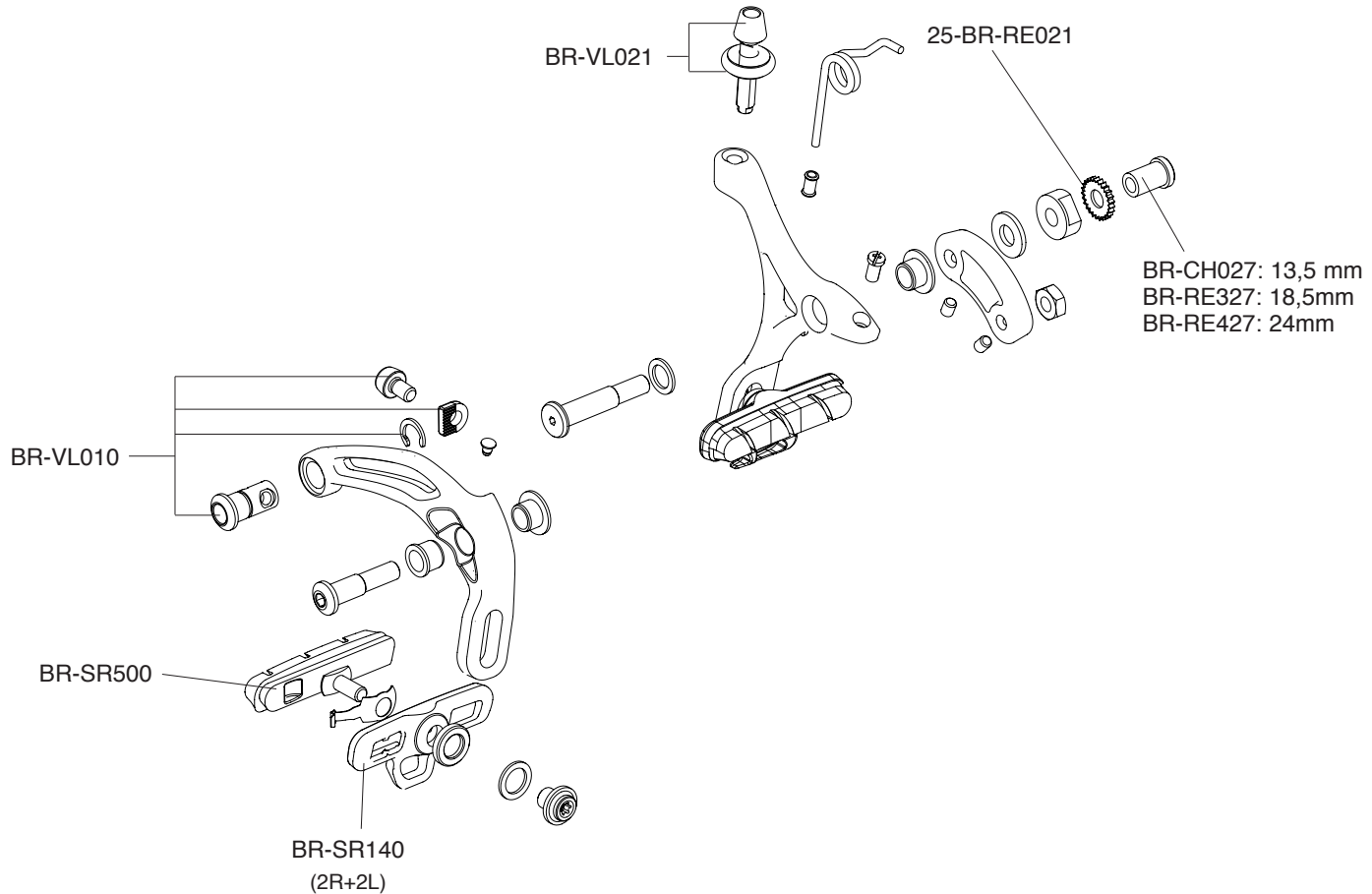
BR15-SRF

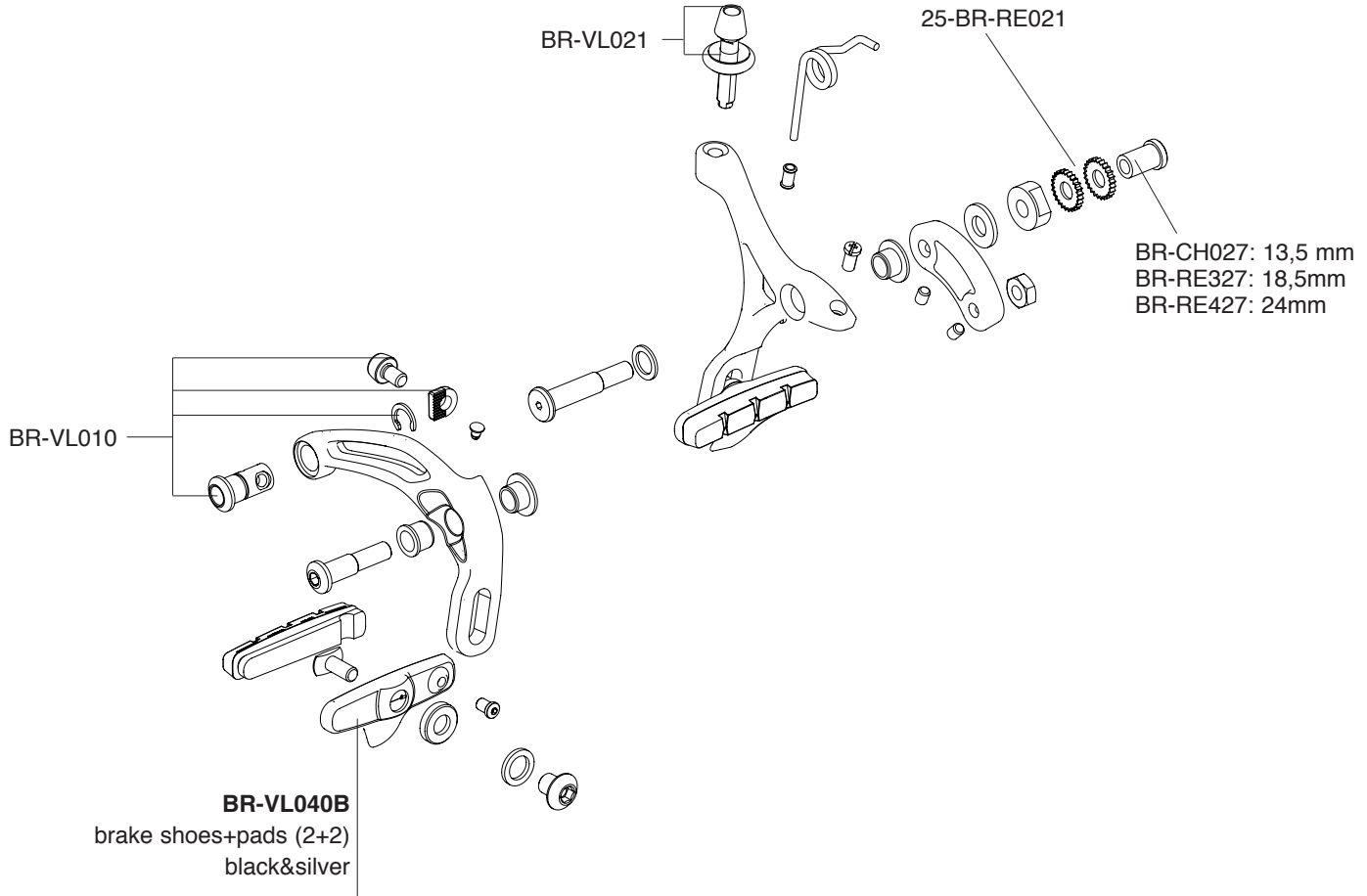
**COMPLETE REAR BRAKE / FRENO POST. COMPLETO**

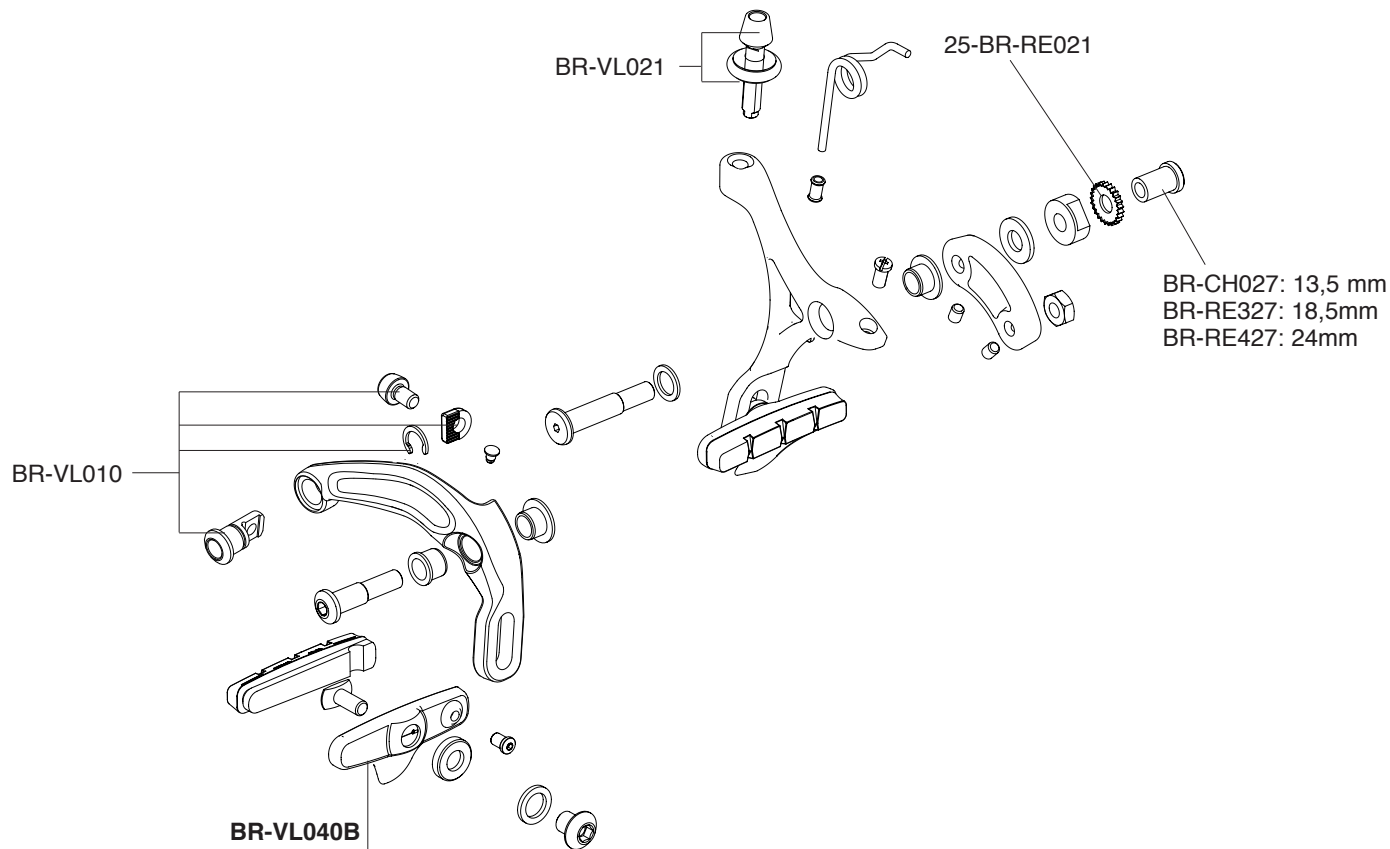
BR15-SRR (mono pivot) - BR15-SRDPR (dual pivot)



<b>COMPLETE FRONT BRAKE / FRENO ANT. COMPLETO</b>
BR15-REF
<b>COMPLETE REAR BRAKE / FRENO POST. COMPLETO</b>
BR15-RER (mono pivot) - BR15-REDPR (dual pivot)







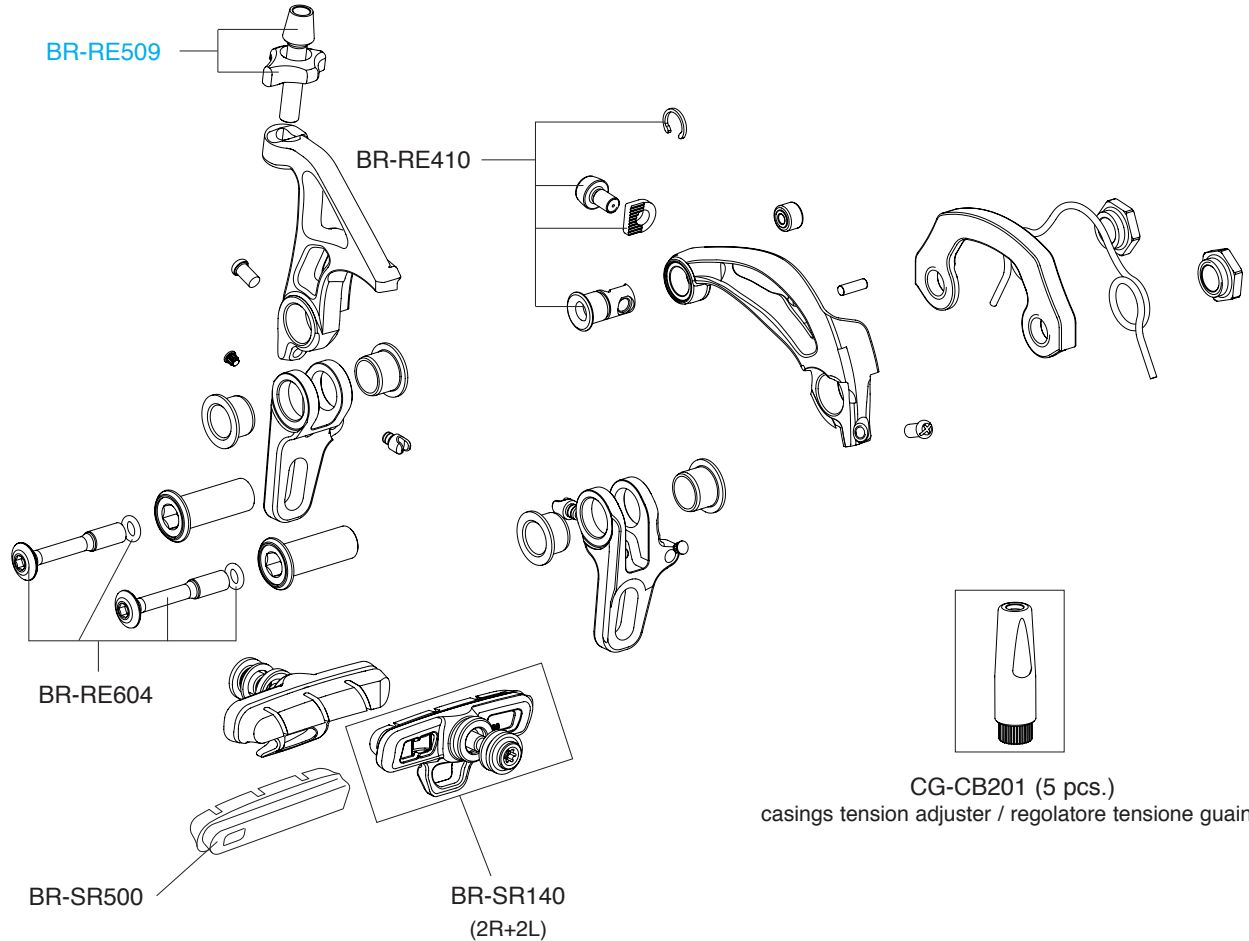
**BR-VL040B**

(brake shoes+pads - 2+2 - black)

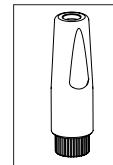
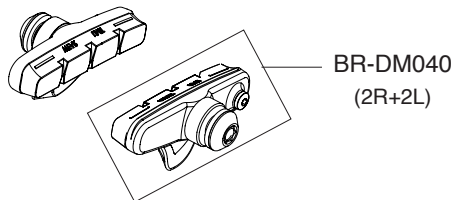
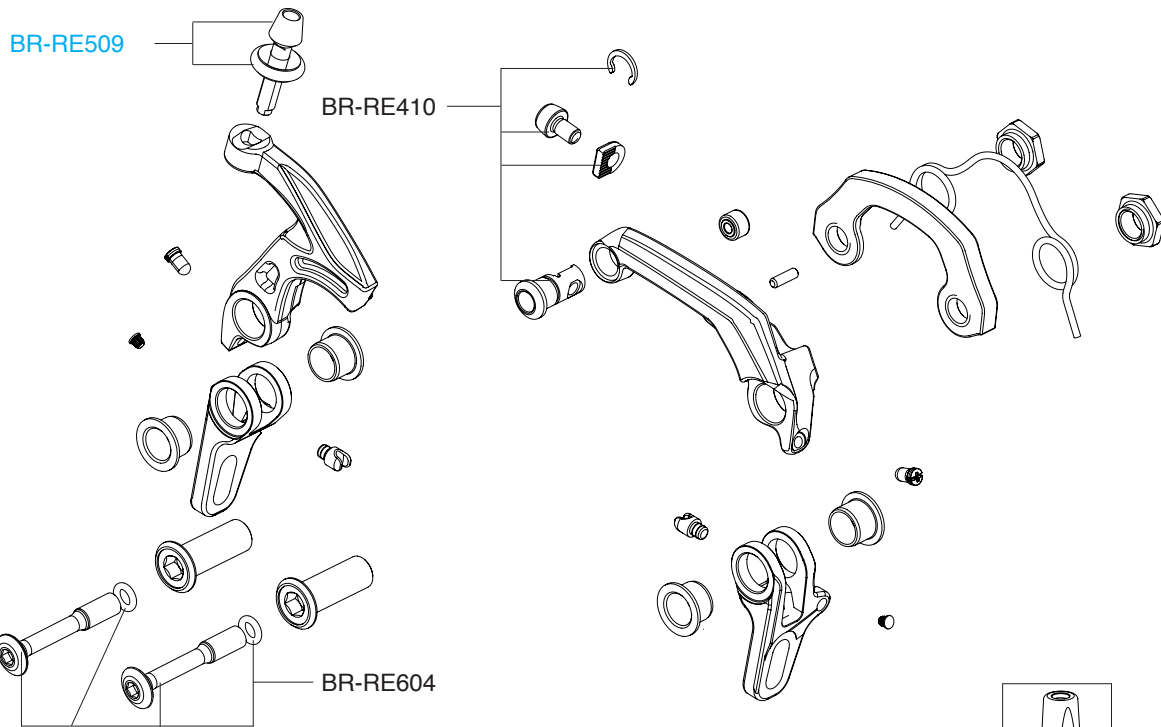
**BR-VL040S**

(brake shoes+pads - 2+2 - silver)

# RECORD DM



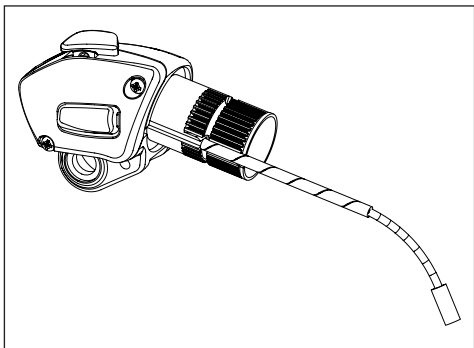
# DIRECT DM



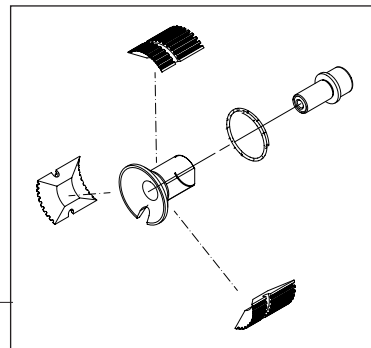
CG-CB201 (5 pcs.)  
casings tension adjuster / regolatore tensione guaine

# BRAKING & SHIFTING LEVERS BAR-END EPS

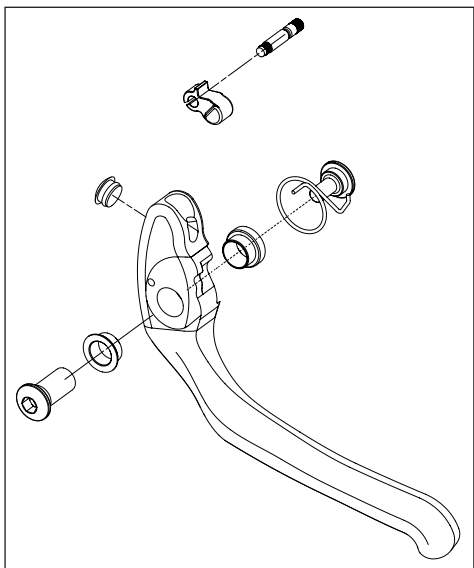
BAR-END TT EPS



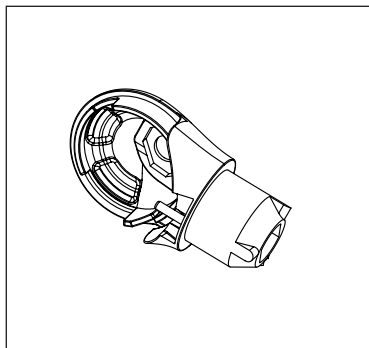
**RECORD**  
RH: BL-RETT001EPS  
LH: BL-RETT002EPS



**SL-TT008EPS**



**RECORD**  
RH: BL-RETT003EPS  
LH: BL-RETT004EPS



**RECORD**  
RH: SL-RETT001EPS  
LH: SL-RETT002EPS



# SHIFTING LEVERS 11S

R.H. COMPLETE CONTROL LEVER / COMANDO DX COMPLETO

SL17-TT11R

L.H. COMPLETE CONTROL LEVER / COMANDO SX COMPLETO

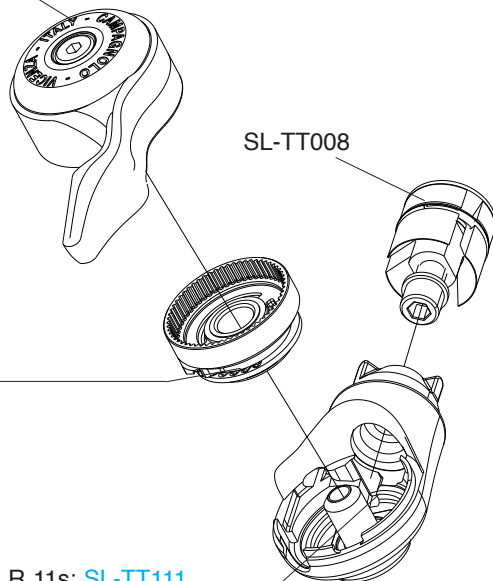
SL17-TT11L

CABLES & CASINGS / CAVI E GUAINE

CG-SL500

R: SL-TT003

L: SL-TT004



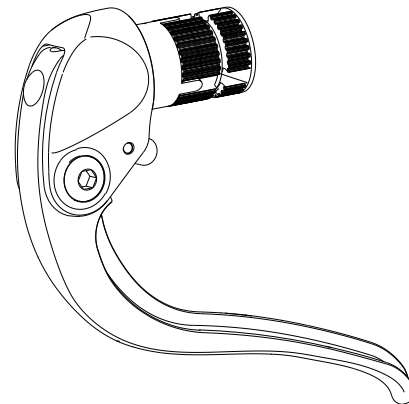
R: SL-TT007

L: SL-TT106

R 11s: SL-TT111

L 11s: SL-TT112

# BRAKE LEVERS



CABLES & CASINGS / CAVI E GUAINE

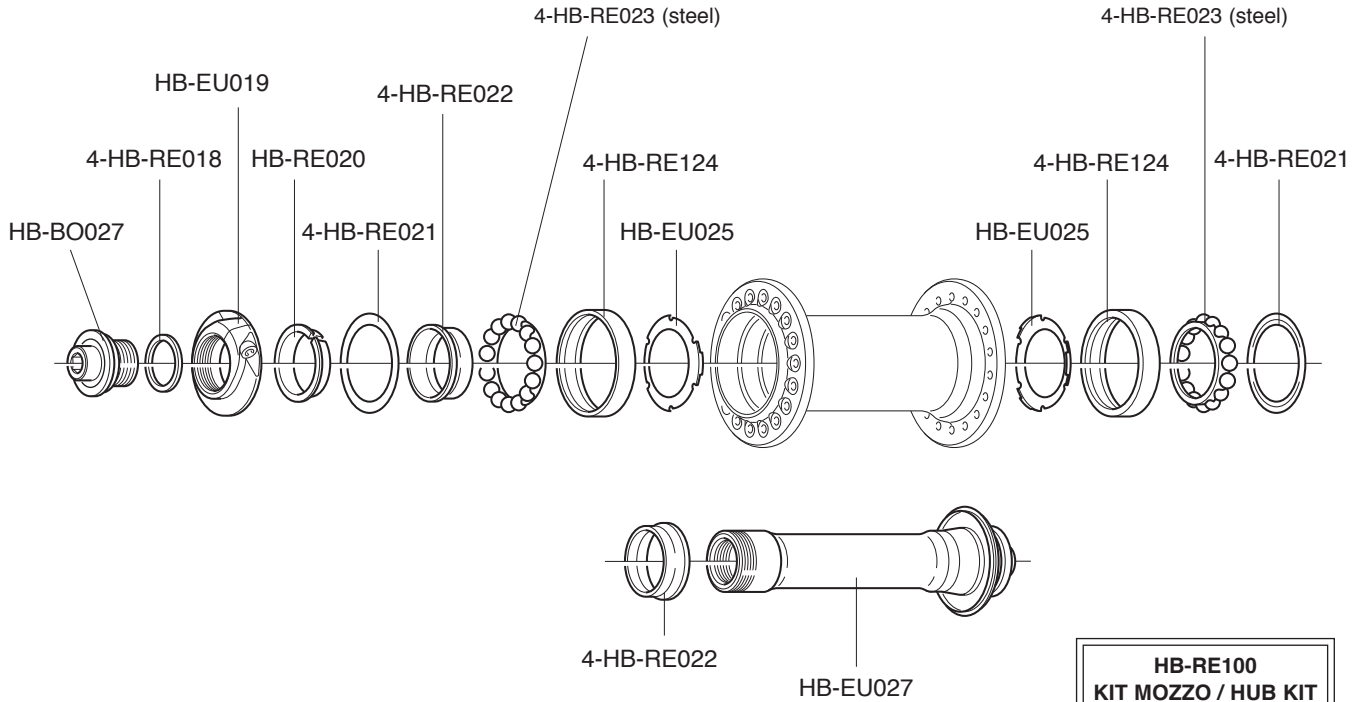
CG-BL500

R.H. COMPLETE BRAKE LEVER / LEVA FRENO DX COMPLETA

BL15-TTR (alu)

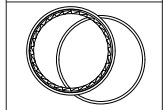
L.H. COMPLETE BRAKE LEVER / LEVA FRENO SX COMPLETA

BL15-TTL (alu)



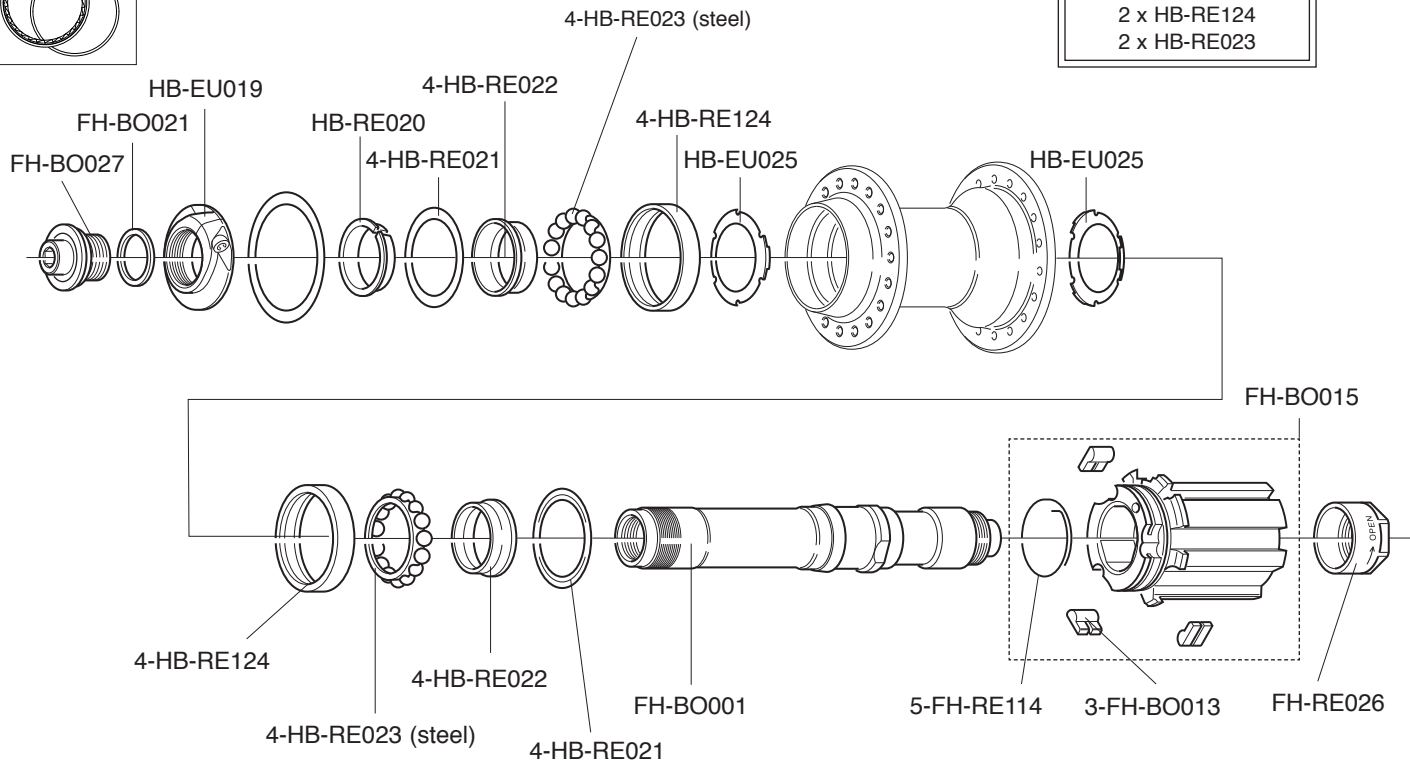
<p><b>HB-RE100 KIT MOZZO / HUB KIT</b></p> <p>2 x HB-RE021 2 x HB-RE022 2 x HB-RE124 2 x HB-RE023</p>
---

**HB-BO031 (3 pcs)**  
 RATCHET RING /  
 INSERTO A  
 CREMAGLIERA  
 (SERVICE CENTER only)

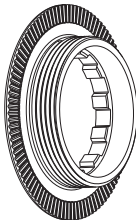

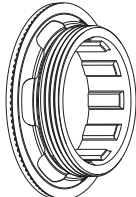


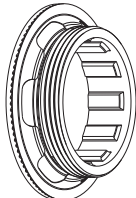




**HB-RE100**  
**KIT MOZZO / HUB KIT**

- 2 x HB-RE021
- 2 x HB-RE022
- 2 x HB-RE124
- 2 x HB-RE023



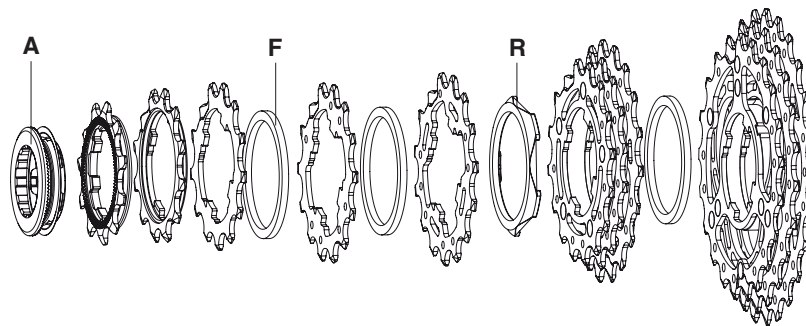
# GHIERE - LOCKRINGS - ECROUS - VERSCHLUSSRING

	CODE CODICE	TYPE TIPO	RANGE GAMMA	HUB COMPATIBILITY COMPATIBILITÀ MOZZI	
	CS-401	<i>9s / 10s</i> "oversize" thread/fil.: 27 x 1	steel / acciaio	2000 e succ. <b>2000 and following</b>	all groups / tutti i gruppi all wheels / tutte le ruote
				1999	<b>RECORD™ - CHORUS™</b> all wheels / tutte le ruote
	CS-501	<i>9s / 10s</i> "oversize" thread/fil.: 27 x 1	steel / acciaio (for Z. 11)	2000 e succ. <b>2000 and following</b>	all groups / tutti i gruppi all wheels / tutte le ruote
				1999	<b>RECORD™ - CHORUS™</b> all wheels / tutte le ruote
	CS-112	 thread/fil.: 27 x 1	alloy / alluminio	2009 e succ. <b>2009 and following</b>	only 11s sprocket sets / solo pacchi pignoni 11s
	CS-111	 thread/fil.: 27 x 1	alloy / alluminio (for Z. 11)	2009 e succ. <b>2009 and following</b>	only 11s sprocket sets / solo pacchi pignoni 11s
	CS-412	 thread/fil.: 27 x 1	steel / acciaio	2017 e succ. <b>2017 and following</b>	only 11s STEEL sprocket sets / solo pacchi pignoni 11s in ACCIAIO
	CS-411	 thread/fil.: 27 x 1	steel / acciaio (for Z. 11)	2017 e succ. <b>2017 and following</b>	only 11s STEEL sprocket sets / solo pacchi pignoni 11s in ACCIAIO

# SUPER RECORD 11S

STEEL - TITANIUM

A	CS-112	<i>11s only</i>
	CS-111	<i>11s only</i> (for Z 11)
F	2-CS-612 (2 pcs)	2,2 mm
R	2-CS-712 (2 pcs)	2,3 mm



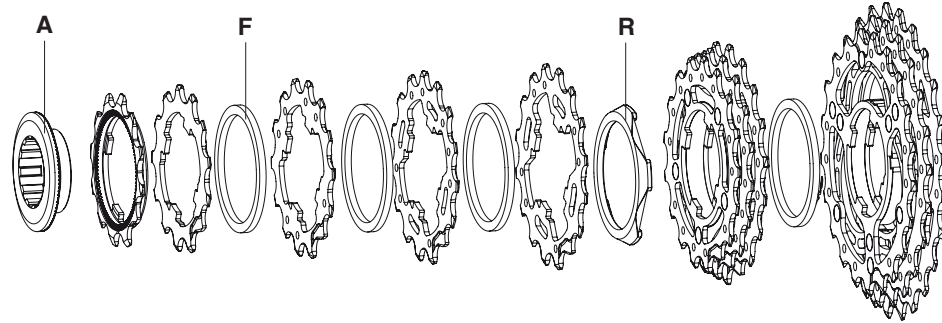
11-23	A	11A-1°	12A-2°	13A	F	14A	F	15A	R	16A-17A-18A*	F	19A-21A-23A*
		11S-011	11S-022	11S-131		11S-141		11S-151		11S-678T		11S-913T
11-25	A	11A-1°	12A-2°	13A	F	14A	F	15A	R	16A-17A-19B*	F	21B-23B-25B*
		11S-011	11S-022	11S-131		11S-141		11S-151		11S-679T		11S-135BT
11-27	A	11D-1°	12DD-2°	13D	F	14D	F	15D	R	17A-19B-21B*	F	23B-25B-27B*
		11S-111	11S-124	11S-134		11S-144		11S-154		11S-791T		11S-357T
11-29	A	11D-1°	12DD-2°	13D	F	14D	F	15D	R	17A-19B-21B*	F	23B-26B-29B*
		11S-111	11S-124	11S-134		11S-144		11S-154		11S-791T		11S-369T

\* pre-assembled

# SUPER RECORD 11S

STEEL - TITANIUM

<b>A</b>	<b>CS-112</b>	<i>11s only</i>
	<b>CS-111</b>	<i>11s only</i> (for Z 11)
<b>F</b>	<b>2-CS-612</b> (2 pcs)	<b>2,2 mm</b>
<b>R</b>	<b>2-CS-712</b> (2 pcs)	<b>2,3 mm</b>



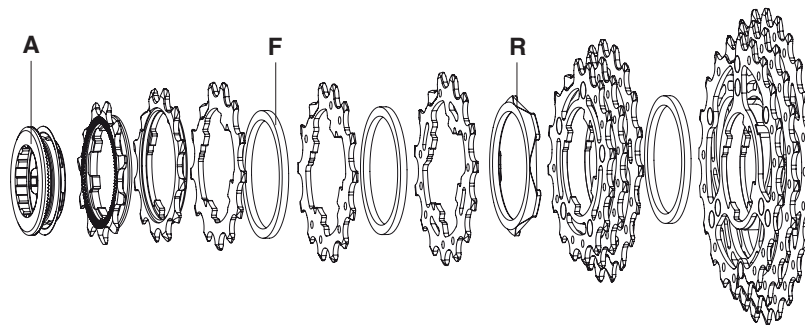
<b>12-25</b>	A	12A-1°	13A	F	14A	F	15A	F	16A	R	17A-18A-19A*	F	21A-23A-25A*
		11S-012	11S-131		11S-141		11S-151		11S-161		11S-789T		11S-135AT
<b>12-27</b>	A	12A-1°	13A	F	14A	F	15A	F	16A	R	17A-19B-21B*	F	23B-25B-27B*
		11S-012	11S-131		11S-141		11S-151		11S-161		11S-791T		11S-357T
<b>12-29</b>	A	12A-1°	13A	F	14A	F	15A	F	16A	R	17A-19B-21B*	F	23B-26C-29C*
		11S-012	11S-131		11S-141		11S-151		11S-161		11S-791T		11S-369T

\* pre-assembled

# RECORD 11S

STEEL - TITANIUM

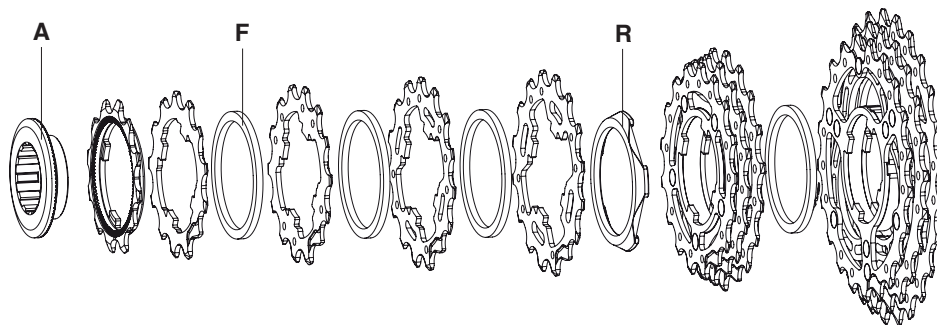
<b>A</b>	<b>CS-112</b>	<i>11s only</i>
	<b>CS-111</b>	<i>11s only</i> (for Z 11)
<b>F</b>	<b>2-CS-612</b> (2 pcs)	<b>2,2 mm</b>
<b>R</b>	<b>2-CS-712</b> (2 pcs)	<b>2,3 mm</b>



<b>11-23</b>	A	11A-1°	12A-2°	13A	F	14A	F	15A	R	16A-17A-18A*	F	19A-21A-23A*
		11S-011	11S-022	11S-131		11S-141		11S-151		11S-678		11S-913T
<b>11-25</b>	A	11A-1°	12A-2°	13A	F	14A	F	15A	R	16A-17A-19B*	F	21B-23B-25B*
		11S-011	11S-022	11S-131		11S-141		11S-151		11S-679		11S-135BT
<b>11-27</b>	A	11D-1°	12DD-2°	13D	F	14D	F	15D	R	17A-19B-21B	F	23B-25B-27B*
		11S-111	11S-124	11S-134		11S-144		11S-154		11S-791		11S-357T
<b>11-29</b>	A	11D-1°	12DD-2°	13D	F	14D	F	15D	R	17A-19B-21B	F	23B-26B-29B*
		11S-111	11S-124	11S-134		11S-144		11S-154		11S-791		11S-369T

\* pre-assembled

<b>A</b>	<b>CS-112</b>	<i>11s only</i>
	<b>CS-111</b>	<i>11s only</i> (for Z 11)
<b>F</b>	<b>2-CS-612</b> (2 pcs)	<b>2,2 mm</b>
<b>R</b>	<b>2-CS-712</b> (2 pcs)	<b>2,3 mm</b>



<b>12-25</b>	A	12A-1°	13A	F	14A	F	15A	F	16A	R	17A-18A-19A*	F	21A-23A-25A*
		11S-012	11S-131		11S-141		11S-151		11S-161		11S-789		11S-135AT
<b>12-27</b>	A	12A-1°	13A	F	14A	F	15A	F	16A	R	17A-19B-21B*	F	23B-25B-27B*
		11S-012	11S-131		11S-141		11S-151		11S-161		11S-791		11S-357T
<b>12-29</b>	A	12A-1°	13A	F	14A	F	15A	F	16A	R	17A-19B-21B*	F	23B-26C-29C*
		11S-012	11S-131		11S-141		11S-151		11S-161		11S-791		11S-369T

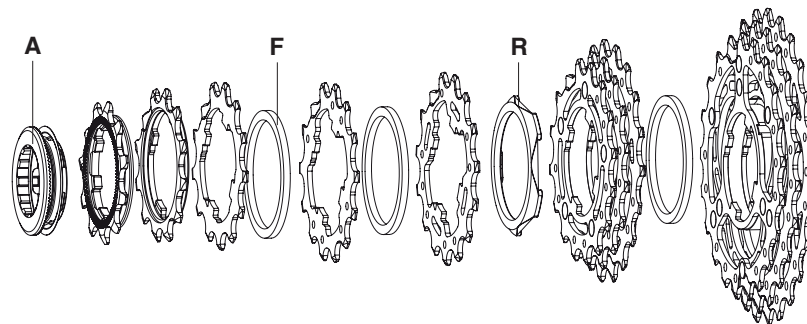
\* pre-assembled



# CHORUS 11S

STEEL

<b>A</b>	<b>CS-112</b>	<i>11s only</i>
	<b>CS-111</b>	<i>11s only</i> (for Z 11)
<b>F</b>	<b>2-CS-612</b> (2 pcs)	<b>2,2 mm</b>
<b>R</b>	<b>2-CS-712</b> (2 pcs)	<b>2,3 mm</b>



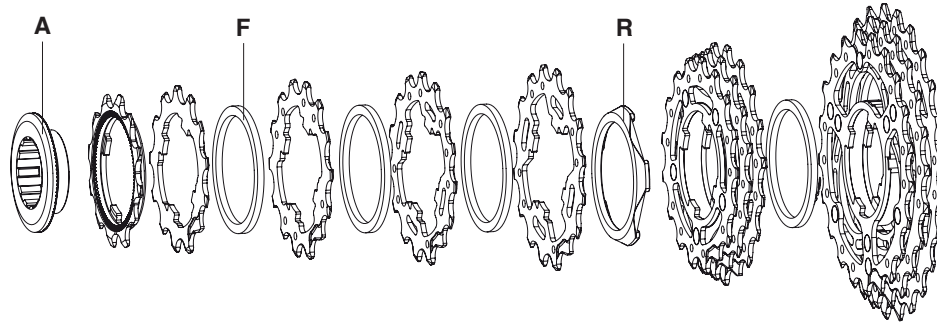
<b>11-23</b>	<b>A</b>	<b>11A-1°</b>	<b>12A-2°</b>	<b>13A</b>	<b>F</b>	<b>14A</b>	<b>F</b>	<b>15A</b>	<b>R</b>	<b>16A-17A-18A*</b>	<b>F</b>	<b>19A-21A-23A*</b>
		<b>11S-011</b>	<b>11S-022</b>	<b>11S-131</b>		<b>11S-141</b>		<b>11S-151</b>		<b>11S-678</b>		<b>11S-913</b>
<b>11-25</b>	<b>A</b>	<b>11A-1°</b>	<b>12A-2°</b>	<b>13A</b>	<b>F</b>	<b>14A</b>	<b>F</b>	<b>15A</b>	<b>R</b>	<b>16A-17A-19B*</b>	<b>F</b>	<b>21B-23B-25B*</b>
		<b>11S-011</b>	<b>11S-022</b>	<b>11S-131</b>		<b>11S-141</b>		<b>11S-151</b>		<b>11S-679</b>		<b>11S-135B</b>
<b>11-27</b>	<b>A</b>	<b>11D-1°</b>	<b>12DD-2°</b>	<b>13D</b>	<b>F</b>	<b>14D</b>	<b>F</b>	<b>15D</b>	<b>R</b>	<b>17A-19B-21B</b>	<b>F</b>	<b>23B-25B-27B</b>
		<b>11S-111</b>	<b>11S-124</b>	<b>11S-134</b>		<b>11S-144</b>		<b>11S-154</b>		<b>11S-791</b>		<b>11S-357</b>
<b>11-29</b>	<b>A</b>	<b>11D-1°</b>	<b>12DD-2°</b>	<b>13D</b>	<b>F</b>	<b>14D</b>	<b>F</b>	<b>15D</b>	<b>R</b>	<b>17A-19B-21B</b>	<b>F</b>	<b>23B-26B-29B</b>
		<b>11S-111</b>	<b>11S-124</b>	<b>11S-134</b>		<b>11S-144</b>		<b>11S-154</b>		<b>11S-791</b>		<b>11S-369</b>

\* pre-assembled

# CHORUS 11S

STEEL

<b>A</b>	<b>CS-112</b>	<i>11s only</i>
	<b>CS-111</b>	<i>11s only</i> (for Z 11)
<b>F</b>	<b>2-CS-612</b> (2 pcs)	2,2 mm
<b>R</b>	<b>2-CS-712</b> (2 pcs)	2,3 mm



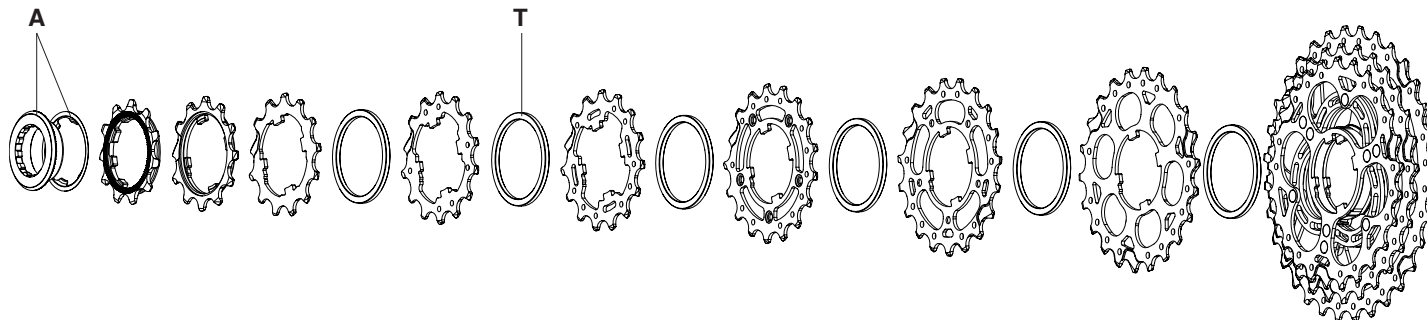
12-25	A	12A-1°	13A	F	14A	F	15A	F	16A	R	17A-18A-19A*	F	21A-23A-25A*
		11S-012	11S-131		11S-141		11S-151		11S-161		11S-789		11S-135A
12-27	A	12A-1°	13A	F	14A	F	15A	F	16A	R	17A-19B-21B*	F	23B-25B-27B*
		11S-012	11S-131		11S-141		11S-151		11S-161		11S-791		11S-357
12-29	A	12A-1°	13A	F	14A	F	15A	F	16A	R	17A-19B-21B*	F	23B-26C-29C*
		11S-012	11S-131		11S-141		11S-151		11S-161		11S-791		11S-369

\* pre-assembled

# CAMPAGNOLO 11S

STEEL

<b>A</b>	<b>CS-411</b>	<b>11s only</b> (for Z 11)	steel/acciaio
<b>T</b>	<b>CS-022</b> (6 pcs)	<b>2,2 mm</b>	



11-25	A	11A-1	12A-2	13A	T	14A	T	15A	T	16ASF	T	17ASF	T	19BSP	T	21B-23B-25B*
		11S-011	11S-022	11S-131		11S-141		11S-151		11S-16ASF		11S-17ASF		10S-192		11S-135B
11-27	A	11D-1	12DD-2	13D	T	14D	T	15D	T	17ASF	T	19BSP	T	21BSP	T	23B-25B-27B*
		11S-111	11S-124	10S-134		10S-144		10S-154		11S-17ASF		10S-192		10S-212		11S-357
11-29	A	11D-1	12DD-2	13D	T	14D	T	15D	T	17ASF	T	19BSP	T	21BSP	T	23B-26C-29C*
		11S-111	11S-124	10S-134		10S-144		10S-154		11S-17ASF		10S-192		10S-212		11S-369
11-32	A	11D-1	12DD-2	13D	T	14D	T	15D	T	17ASF	T	19BSP	T	22E	T	25E-28E-32E*
		11S-111	11S-124	10S-134		10S-144		10S-154		11S-17ASF		10S-192		11S-22E		11S-582

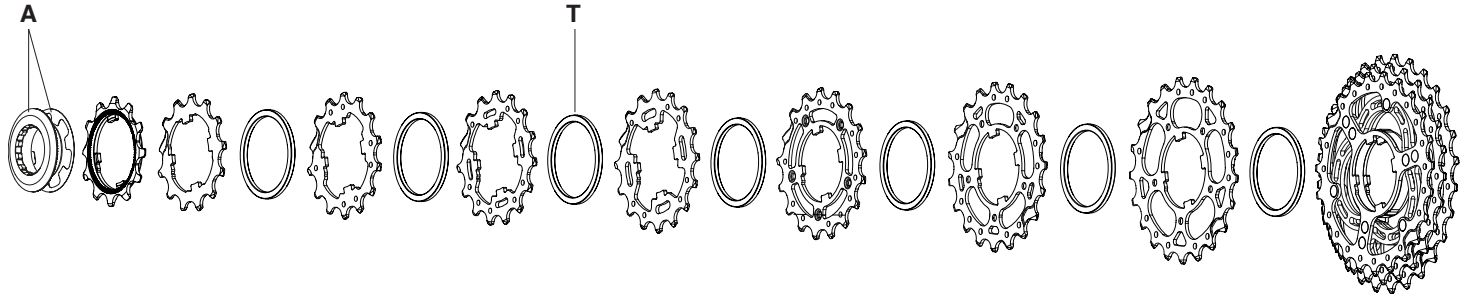
\* pre-assembled

# CAMPAGNOLO 11S

STEEL

<b>A</b>	<b>CS-412</b>	<b>11s only</b> (for Z 12)	steel/acciaio
----------	---------------	-------------------------------	---------------

<b>T</b>	<b>CS-022</b> (6 pcs)	<b>2,2 mm</b>
----------	--------------------------	---------------



<b>12-27</b>	<b>A</b>	12A-1	13A	<b>T</b>	14A	<b>T</b>	15A	<b>T</b>	16A	<b>T</b>	17ASF	<b>T</b>	18AT	<b>T</b>	21BSP	<b>T</b>	23B-25B-27B*
		11S-012	11S-131		11S-141		11S-151		11S-161		11S-17ASF		11S-18AT		10S-212		11S-357

\* pre-assembled

# CENTAUR 10S

VELOCE 10S COMPATIBLE

## DISTANZIALI / SPACERS

**G** = CS-602 (2,55 mm)

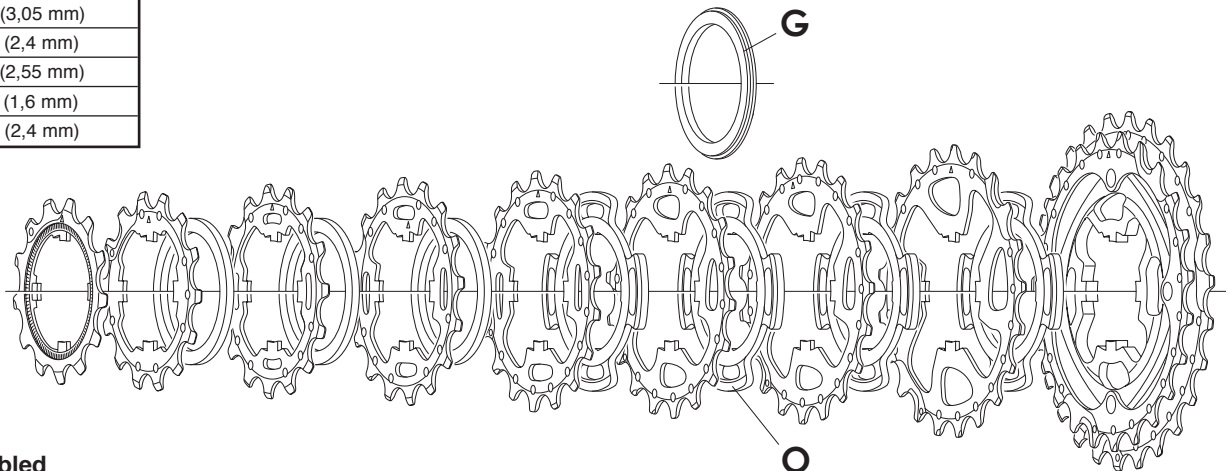
**M** = CS-606 (3,05 mm)

**N** = CS-607 (2,4 mm)

**O** = CS-609 (2,55 mm)

**P** = CS-608 (1,6 mm)

**Q** = CS-610 (2,4 mm)



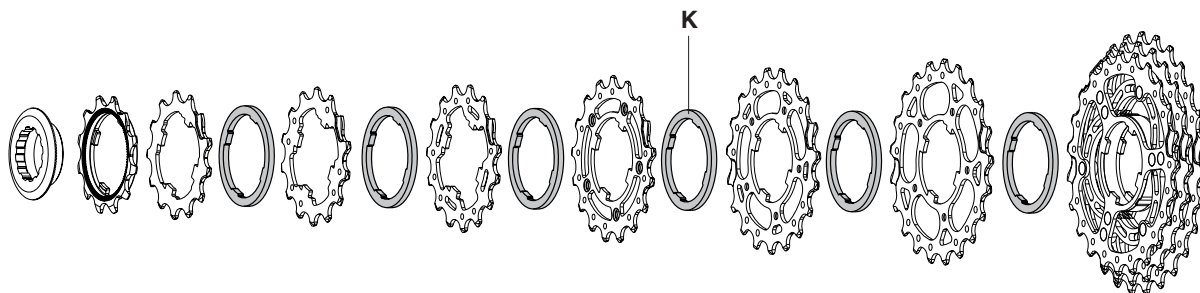
\* pre-assembled

11 - 23	11A-1° 10S-011	12A-2° 10S-022	13A 10S-131	Q	14A 10S-141	Q	15A 10S-151	Q	16A 10S-161	G	17A 10S-171	N	19A 10S-191	M	21A-23A* 10S-13A			
11 - 25	11A-1° 10S-011	12A-2° 10S-022	13A 10S-131	Q	14A 10S-141	Q	15A 10S-151	Q	17G 10S-177	O	19G 10S-197	N	21G 10S-217	M	23G-25G* 10S-35G			
12 - 25	12A-1° 10S-032	13A 10S-131	Q	14A 10S-141	Q	15A 10S-151	Q	16A 10S-161	Q	17A 10S-171	O	19A 10S-191	N	21A 10S-211	M	23A-25A* 10S-35A		
13 - 26	13A-1° 10S-023	14A 10S-141	Q	15A 10S-151	Q	16A 10S-161	Q	17A 10S-171	N	18C 10S-183	O	19C 10S-193	N	21C 10S-213	M	23C-26C* 10S-36C		
13 - 29	13A-1° 10S-023	14A 10S-141	Q	15A 10S-151	Q	16A 10S-161	Q	17A 10S-171	N	19A 10S-191	O	21A 10S-211	N	23A 10S-231	M	26A-29A* 10S-69A		
14 - 23	14A-1° 10S-014	15A 10S-151	Q	16A 10S-161	Q	17A 10S-171	Q	18C 10S-183	N	19C 10S-193	O	20D 10S-204	N	21D 10S-214	N	22D 10S-224	P	23D 10S-234

# CENTAUR 10S

STEEL

<b>K</b>	<b>2-CS-812</b> (2 pcs)	<b>2,55 mm</b>
----------	----------------------------	----------------



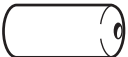





<b>12 - 27</b>	<b>12D-1°</b> 10S-042	<b>13D</b> 10S-134	<b>K</b>	<b>14D</b> 10S-144	<b>K</b>	<b>15D</b> 10S-154	<b>K</b>	<b>17A</b> 10S-17127	<b>K</b>	<b>19B</b> 10S-192	<b>K</b>	<b>21B</b> 10S-212	<b>K</b>	<b>23B-25B-27B*</b> 10S-357
<b>12 - 30</b>	<b>12D-1°</b> 10S-042	<b>13D</b> 10S-134	<b>K</b>	<b>14D</b> 10S-144	<b>K</b>	<b>15D</b> 10S-154	<b>K</b>	<b>17A</b> 10S-17127	<b>K</b>	<b>19B</b> 10S-192	<b>K</b>	<b>21B</b> 10S-212	<b>K</b>	<b>24B-27B-30B*</b> 10S-470

\* pre-assembled






# ULTRA-SHIFT & POWER-SHIFT

FOR ERGOWPOWER CONTROL LEVERS

		COMPLETE SET	
		BLACK	CG-ER600
		WHITE	CG-ER600W
		RED	CG-ER600R
		FRONT	REAR
BRAKES		Ø 1,6 mm L. 800 mm <b>CG-CB003</b>	Ø 1,6 mm L. 1600 mm <b>10-CG-CB013</b> (10 pcs.)
DERAILLEURS			L. 1600 <b>CG-CB014</b>
	Ø 1,2 mm		L. 2000 <b>10-CG-CB009</b> (10 pcs.)
			Ø 5,7 mm <b>10-CG-CS112</b> (for CG-CS115 and CG-CS108 - sealed / con guarnizione - 10 pcs.)
			Ø 5,7/4 mm <b>5-CG-CS113</b> (for CG-CS115 and CG-CS108 - sealed / con guarnizione - 5 pcs.)
			<b>CG-CB001</b> (casings tension adjuster / regolatore tensione guaine - 5 pcs.)
		<b>CG-CB101</b> (cable tension adjuster / regolatore tensione cavo - 5 pcs.)	

# ALL VERSIONS (except for ULTRA-SHIFT & POWER-SHIFT)

FOR ERGOPOWER CONTROL LEVERS

		FRONT	REAR	
<b>BRAKES</b>		Ø 1,6 mm L. 800 mm <b>CG-CB003</b>	Ø 1,6 mm L. 1600 mm <b>10-CG-CB013</b> (10 pcs.)	
		Ø 6 mm <b>10-CG-CS011</b> (10 pcs.) (not sealed / senza guarnizione)		
<b>DERAILLEURS</b>		ERGOPOWER	L. 1600	<b>CG-CB014</b>
	Ø 1,2 mm	ERGOPOWER	L. 2000	<b>10-CG-CB009</b> (10 pcs.)
		Ø 5,7 mm <b>10-CG-CS012</b> (for CG-CS015 and CG-CS008 - sealed / con guarnizione - 10 pcs.)		
	Ø 5,7/4 mm <b>5-CG-CS013</b> (for CG-CS015 and CG-CS008 - sealed / con guarnizione - 5 pcs.)			

**TRADITIONAL LEVERS: CG-BR201 (brakes) - CG-DD101 (derailleurs)**