



FULCRUM WHEELS
2020 SPARE PARTS BOOK

0509

2020 SPARE PARTS & TOOLS

ROAD - RIM BRAKE

SPEED 55T	6
SPEED 55C	8
SPEED 40T	10
SPEED 40C	12
WIND 40 / 400	14
RACING ZERO CARBON	16
RACING ZERO COMPETIZIONE	18
RACING ZERO NITE	20
RACING ZERO	22
RACING 3	24
RACING 4 / 400	26
RACING 5 / 500	28
RACING 6 / 600	30
RACING 900	32
SPEED 360T	34
VALVE EXTENSIONS	35

2020 SPARE PARTS & TOOLS

ROAD - DISC BRAKE

SPEED 40T DB	36
SPEED 55T DB	38
SPEED 40 DB	40
WIND 40 DB	42
WIND 55 DB	44
RACING ZERO DB	46
RACING ZERO CARBON DB	48
RACING 3 DB	50
RACING 4 DB	52
RACING 400 DB	54
RACING 5 DB	56
RACING 500 DB	58
RACING 6 DB	60
RACING 600 DB	62
RACING 7B DB	64
RACING 700B DB	66
RACING 7 DB	68
RACING 700 DB	70
RACING 900 DB	72

2020 SPARE PARTS & TOOLS

B - ROAD

RAPID RED 5 650b DB	74
RAPID RED 500 650b DB	76
RAPID RED 5 700c DB	78
RAPID RED 500 700c DB	80

FW BODIES - ROAD WHEELS

82

ROAD ADAPTERS - DISC BRAKE

84

MTB

RED ZONE 5 / 500	86
RED ZONE 7 / 700	98
RED METAL 5 / 500	110
RED FIRE 5 / 500	114

2020 SPARE PARTS & TOOLS

E-MTB

E-METAL 3 / 300	120
E-METAL 5 / 500	128
E-METAL 700	136
E-FIRE 3 / 300	144
E-FIRE 5 / 500	148
E-FIRE 700	152

MTB ADAPTERS

156

QUICK-RELEASES

159

TOOLS & ACCESSORIES

160

HEADQUARTERS

FULCRUM WHEELS S.R.L.

Via dell'Economia, 103
36100 Vicenza
Tel. +39 0444 289306
Fax +39 0444 962844
info@fulcrumwheels.com
technical@fulcrumwheels.com

BRANCH OFFICES

FRANCE

FULCRUM FRANCE
9 rue du progrès
69800 Saint Priest
Tel. +33(0)4.78.67.37.21
infos@fulcrumwheels.fr

GERMANY

FULCRUM CENTRAL EUROPE GmbH
Pasewaldtstrasse 16
D- 14169 Berlin
Tel:+49 (0)30 91570633
info@fulcrum-ce.com

JAPAN

FULCRUM JAPAN
65 Yoshida-cho, Naka-ku
231-0041 Yokohama
Tel +81 45 264 2780
info@fulcrum-jp.com

TAIWAN

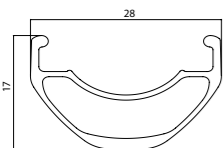
PRIMATEK Ltd.
No.4, Gongyequ 10th Rd.
Taichung City 407 - Xitun Dist.
Taiwan (R.O.C.)
Tel: +886 4 23506831
Fax: +886 4 23596764
info@primatek.biz

RED ZONE 5/500 27.5

AFS
front: QR/15mm ta
rear: QR/12mm ta 142-135

RIMS & SPOKES/CERCHI E RAGGI

RIM

	<p>LABEL KIT VALVE HOLE RIM-TAPE DIAMETER</p>	<p>RZ500-LAB19275 (Red Zone 500 FRONT+REAR) - RZ5-LAB19275 (Red Zone 5 FRONT+REAR) 6,5 mm RZ5-RT02 (28 mm - 2 pcs) 27.5 2WF-Ready</p>
-----------------------------------------------------------------------------------	-----------------------------------------------------------	---------------------------------------------------------------------------------------------------------------------------------------------------

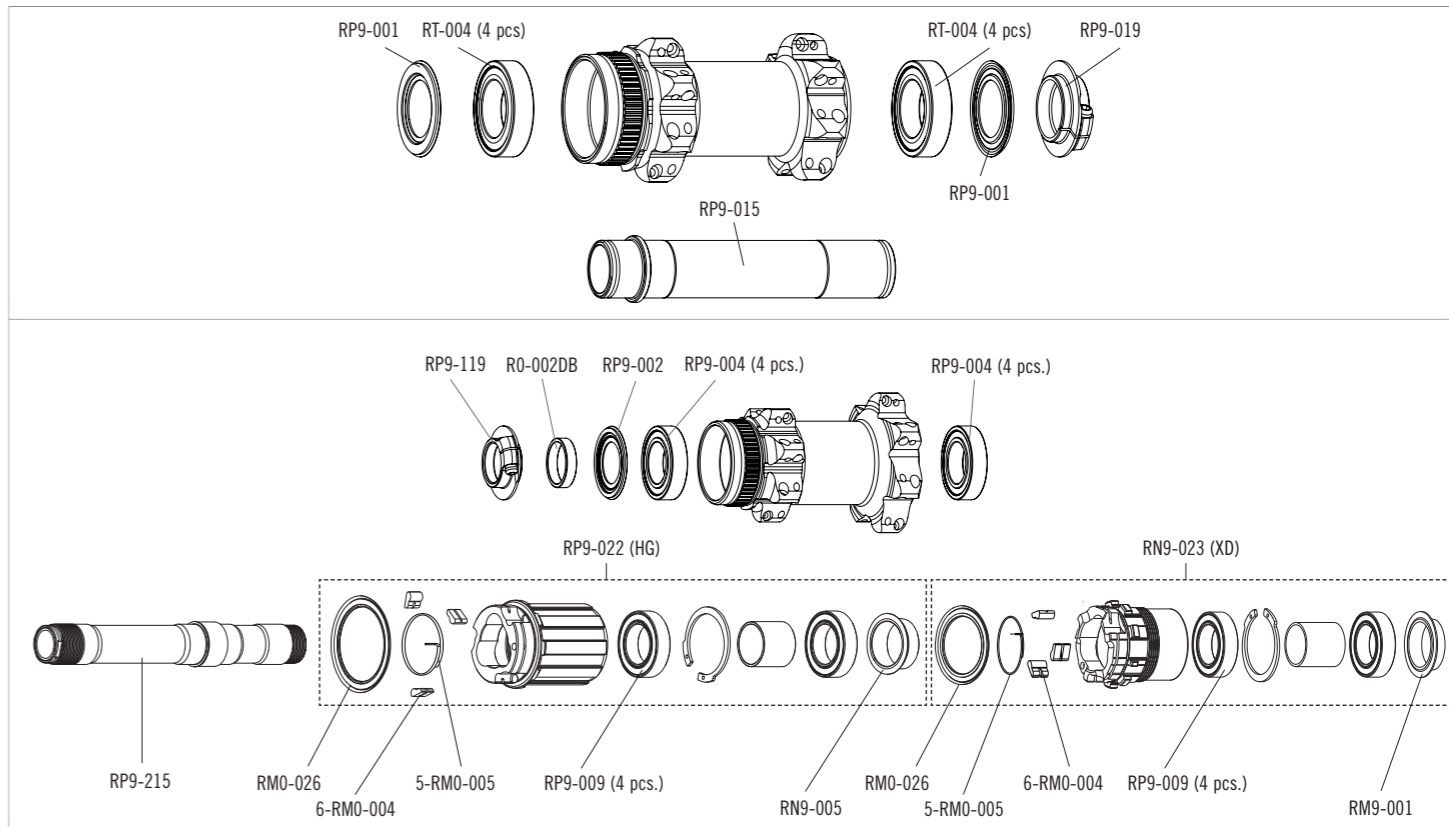
SPOKES

<p>SPOKES L. 284,5+1,5 mm (front RH/rear LH) SPOKES L. 283+1,5 mm (front RH/rear LH) NIPPLES TOOL</p>	<p>RZ5-DS307 RZ5-DS306 R5-B01 T-18</p>	<p>8 spokes + 8 nipples 8 spokes + 8 nipples 50 pcs. spoke spanner</p>
-------------------------------------------------------------------------------------------------------------------	----------------------------------------------------	------------------------------------------------------------------------------------

RED ZONE 5/500 27.5

AFS
front: QR/15mm ta
rear: QR/12mm ta 142-135

HUBS/MOZZI



Complete FW body / Corpetti RL completi

RP9-022 (HG) - RN9-023 (XD)

RED ZONE 5/500 27.5

AFS / HG - XD

front BOOST: HH15-110
rear BOOST: HH12-148

RIMS & SPOKES/CERCHI E RAGGI

RIM

	<p>LABEL KIT VALVE HOLE RIM-TAPE DIAMETER</p>	<p>RZ500-LAB19275 (Red Zone 500 FRONT+REAR) - RZ5-LAB19275 (Red Zone 5 FRONT+REAR) 6,5 mm RZ5-RT02 (28 mm - 2 pcs) 27.5 2WF-Ready</p>
-----------------------------------------------------------------------------------	-----------------------------------------------------------	---------------------------------------------------------------------------------------------------------------------------------------------------

SPOKES

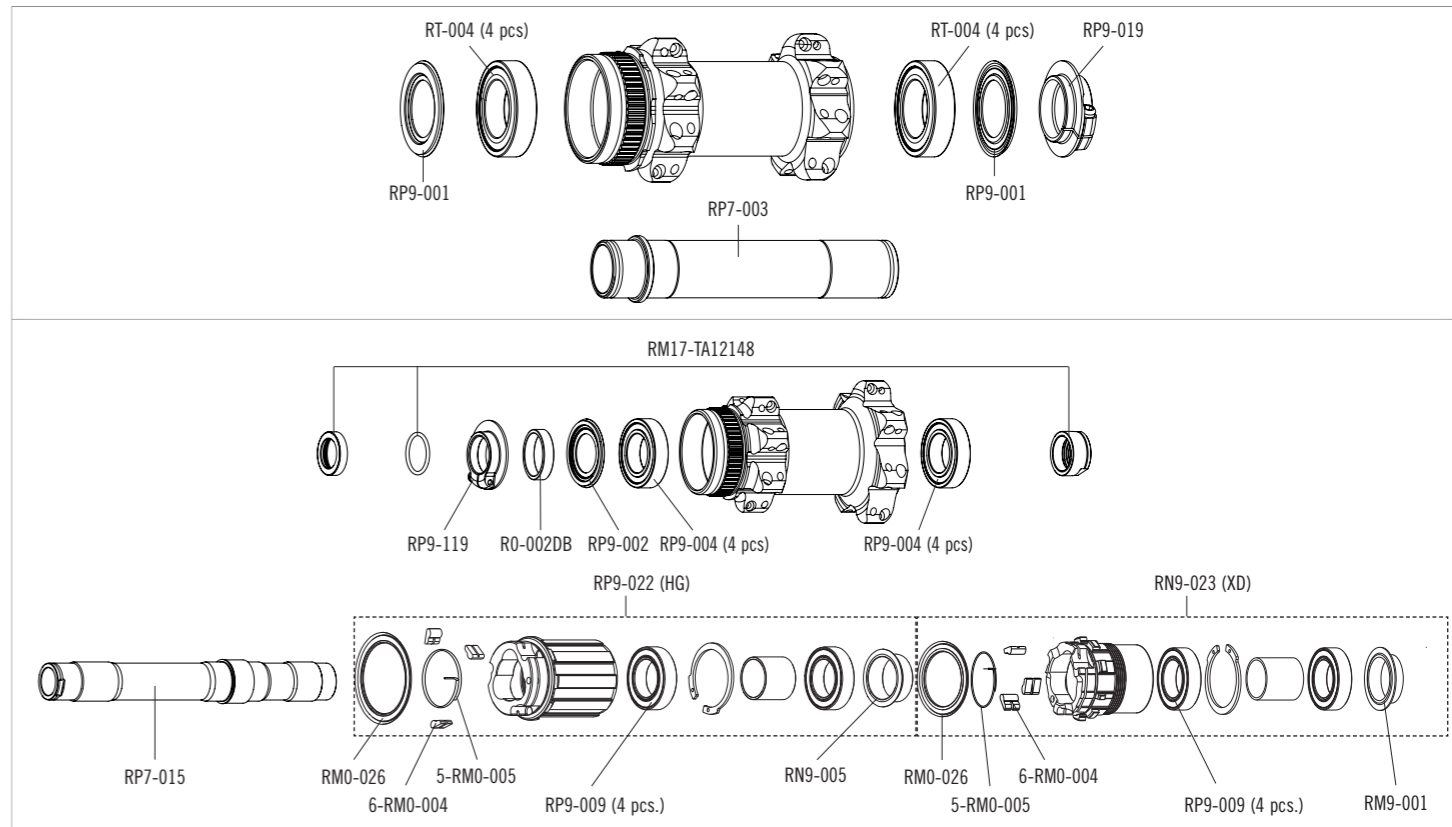
SPOKES L. 286+1,5 mm (front RH/rear LH)	RZ5-DS308	8 spokes + 8 nipples
SPOKES L. 284,5+1,5 mm (front RH/rear LH)	RZ5-DS307	8 spokes + 8 nipples
NIPPLES	R5-B01	50 pcs.
TOOL	T-18	spoke spanner

RED ZONE 5/500 27.5

AFS / HG - XD

front BOOST: HH15-110
rear BOOST: HH12-148

HUBS/MOZZI



XD FW body / Corpetto RL XD

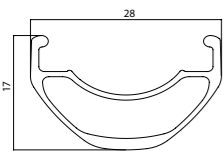
RN9-023 (FW body) + **RM17-TA12148** (adapter)

RED ZONE 5/500 27.5

AFS / MICROSPLINE
front BOOST: HH15-110
rear BOOST: HH12-148

RIMS & SPOKES/CERCHI E RAGGI

RIM

	<p>LABEL KIT VALVE HOLE RIM-TAPE DIAMETER</p>	<p>RZ500-LAB19275 (Red Zone 500 FRONT+REAR) - RZ5-LAB19275 (Red Zone 5 FRONT+REAR) 6,5 mm RZ5-RT02 (28 mm - 2 pcs) 27.5 2WF-Ready</p>
-----------------------------------------------------------------------------------	-----------------------------------------------------------	---------------------------------------------------------------------------------------------------------------------------------------------------

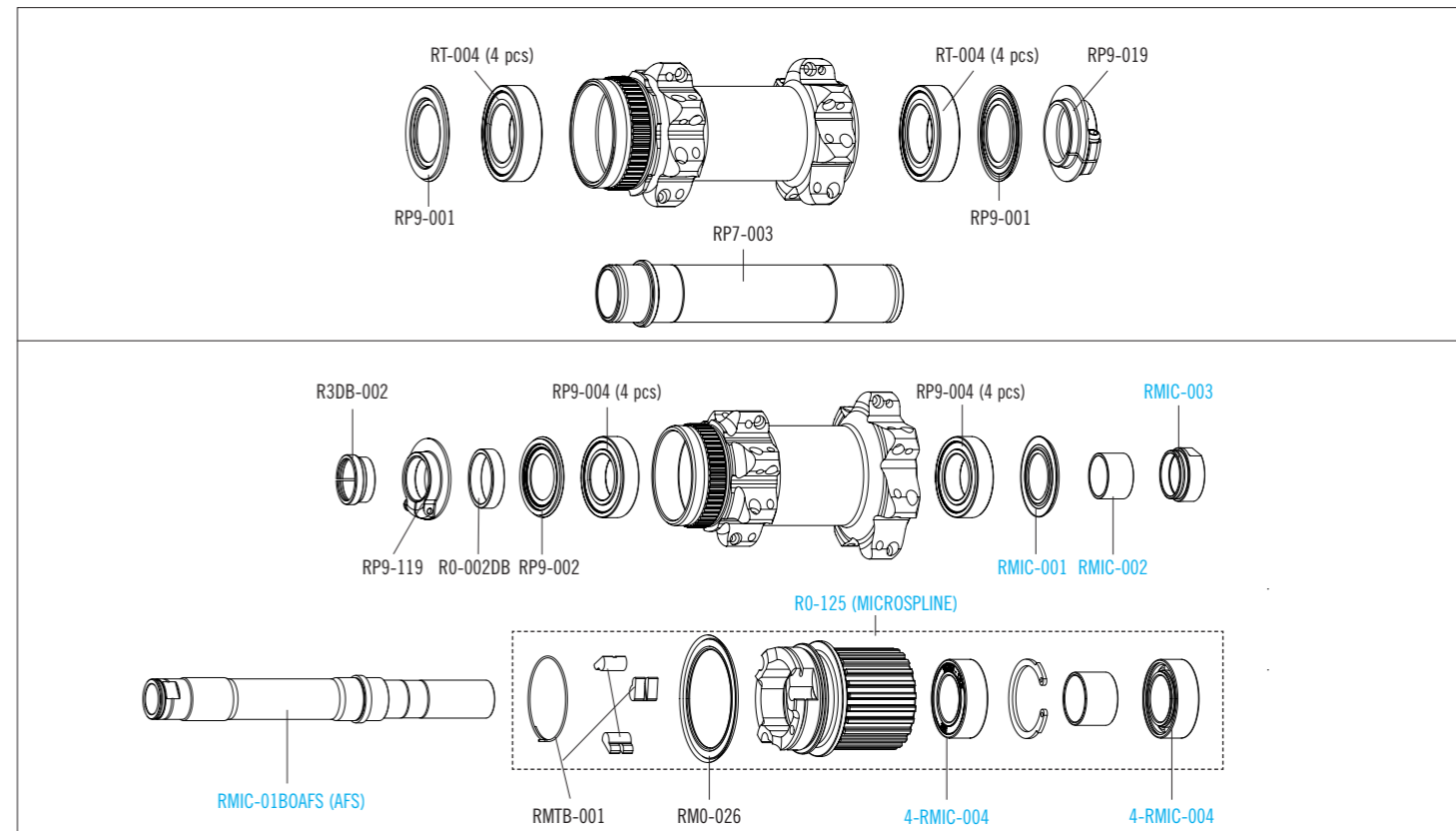
SPOKES

SPOKES L. 286+1,5 mm (front RH/rear LH)	RZ5-DS308	8 spokes + 8 nipples
SPOKES L. 284,5+1,5 mm (front RH/rear LH)	RZ5-DS307	8 spokes + 8 nipples
NIPPLES	R5-B01	50 pcs.
TOOL	T-18	spoke spanner

RED ZONE 5/500 27.5

AFS / MICROSPLINE
front BOOST: HH15-110
rear BOOST: HH12-148

HUBS/MOZZI



RED ZONE 5/500 29

AFS
front: QR/15mm ta
rear: QR/12mm ta 142-135

RIMS & SPOKES/CERCHI E RAGGI

RIM

	<p>LABEL KIT VALVE HOLE RIM-TAPE DIAMETER</p>	<p>RZ500-LAB18DB (Red Zone 500 FRONT+REAR) - RZ5-LAB18DB (Red Zone 5 FRONT+REAR) 6,5 mm RZ5-RT01 (28 mm - 2 pcs) 29 2WF-Ready</p>
-----------------------------------------------------------------------------------	-----------------------------------------------------------	-----------------------------------------------------------------------------------------------------------------------------------------------

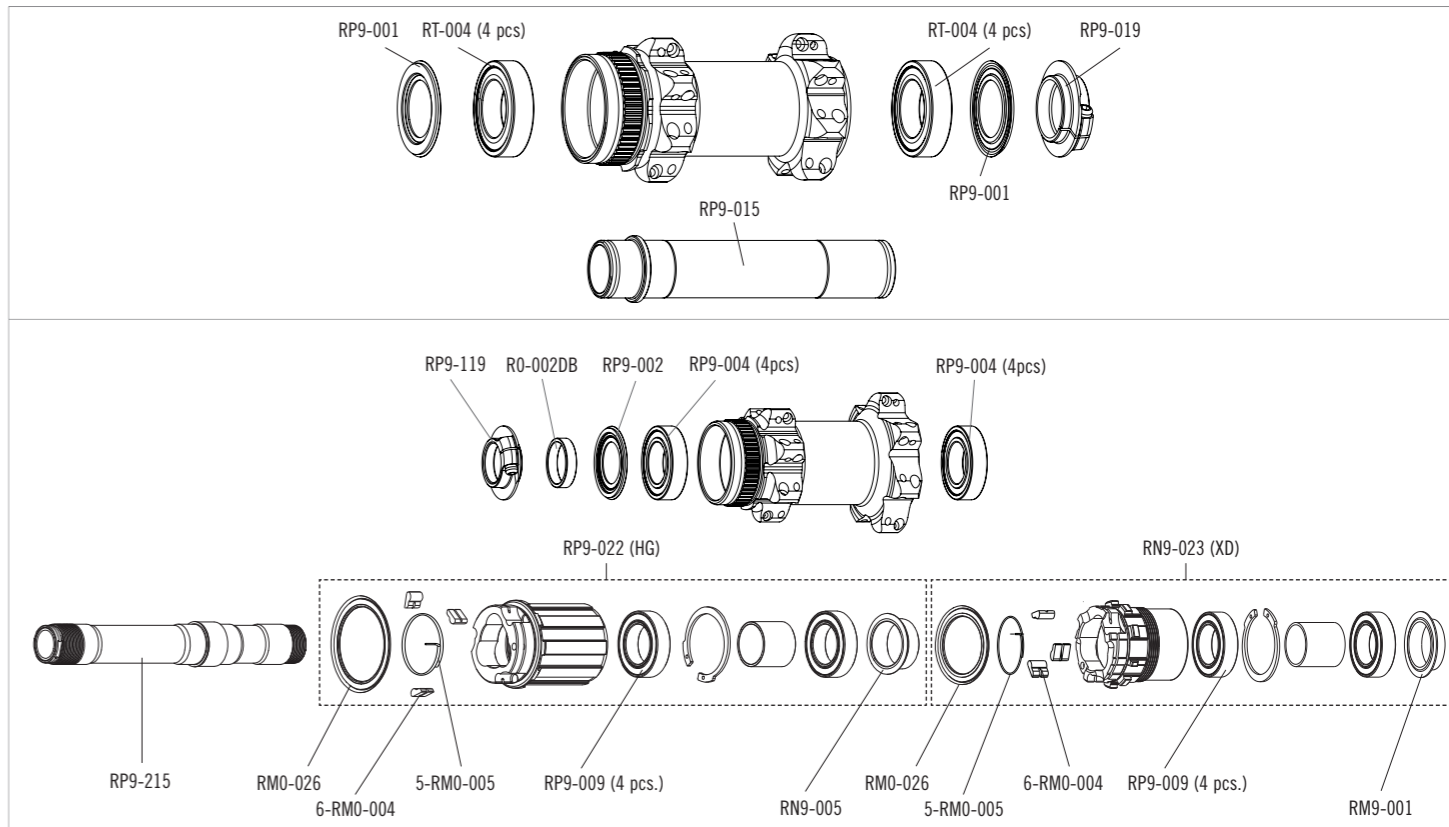
SPOKES

<p>SPOKES L. 303 (front RH/rear LH) SPOKES L. 302 (front LH/rear RH) NIPPLES TOOL</p>	<p>RZ5-DS303 RZ5-DS302 R5-B01 T-18</p>	<p>8 spokes + 8 nipples 8 spokes + 8 nipples 50 pcs. spoke spanner</p>
---------------------------------------------------------------------------------------------------	----------------------------------------------------	------------------------------------------------------------------------------------

RED ZONE 5/500 29

AFS
front: QR/15mm ta
rear: QR/12mm ta 142-135

HUBS/MOZZI



Complete FW body / Corpetti RL completi

RP9-022 (HG) - RN9-023 (XD)

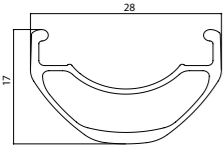
RED ZONE 5/500 29

AFS / HG - XD

front BOOST: HH15-110
rear BOOST: HH12-148

RIMS & SPOKES/CERCHI E RAGGI

RIM

	<p>LABEL KIT VALVE HOLE RIM-TAPE DIAMETER</p>	<p>RZ500-LAB18DB (Red Zone 500 FRONT+REAR) - RZ5-LAB18DB (Red Zone 5 FRONT+REAR) 6,5 mm RZ5-RT01 (28 mm - 2 pcs) 29 2WF-Ready</p>
-----------------------------------------------------------------------------------	-----------------------------------------------------------	-----------------------------------------------------------------------------------------------------------------------------------------------

SPOKES

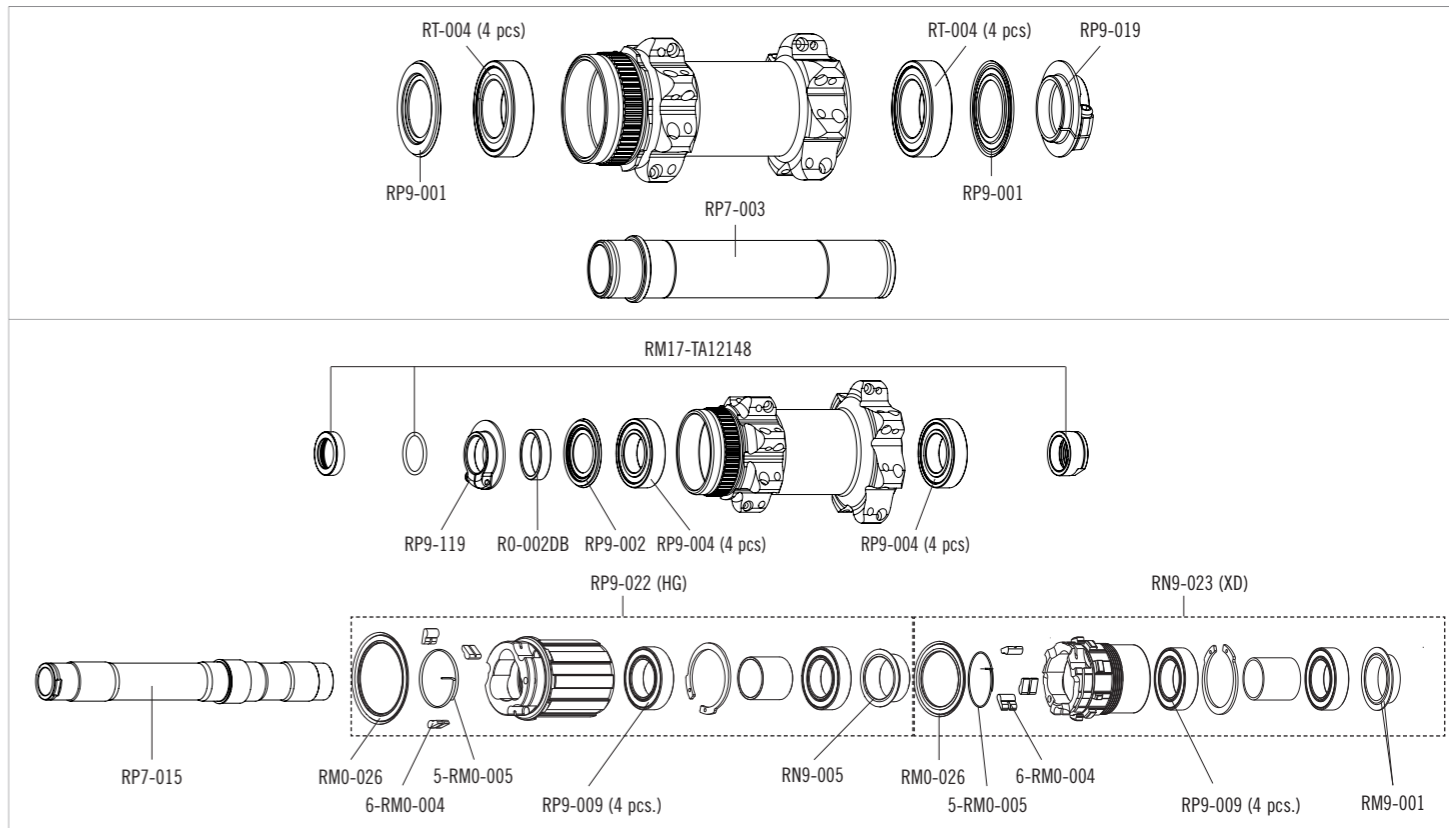
<p>SPOKES L. 305 (front RH/rear LH) SPOKES L. 303 (front LH/rear RH) NIPPLES TOOL</p>	<p>RZ5-DS305 RZ5-DS303 R5-B01 T-18</p>	<p>8 spokes + 8 nipples 8 spokes + 8 nipples 50 pcs. spoke spanner</p>
---------------------------------------------------------------------------------------------------	----------------------------------------------------	------------------------------------------------------------------------------------

RED ZONE 5/500 29

AFS / HG - XD

front BOOST: HH15-110
rear BOOST: HH12-148

HUBS/MOZZI



XD FW body / Corpetto RL XD

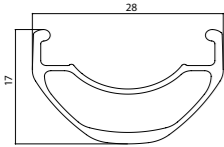
RN9-023 (FW body) + **RM17-TA12148** (adapter)

RED ZONE 5/500 29

AFS / MICROSPLINE
front BOOST: HH15-110
rear BOOST: HH12-148

RIMS & SPOKES/CERCHI E RAGGI

RIM

	<p>LABEL KIT VALVE HOLE RIM-TAPE DIAMETER</p>	<p>RZ500-LAB18DB (Red Zone 500 FRONT+REAR) - RZ5-LAB18DB (Red Zone 5 FRONT+REAR) 6,5 mm RZ5-RT01 (28 mm - 2 pcs) 29 2WF-Ready</p>
-----------------------------------------------------------------------------------	-----------------------------------------------------------	-----------------------------------------------------------------------------------------------------------------------------------------------

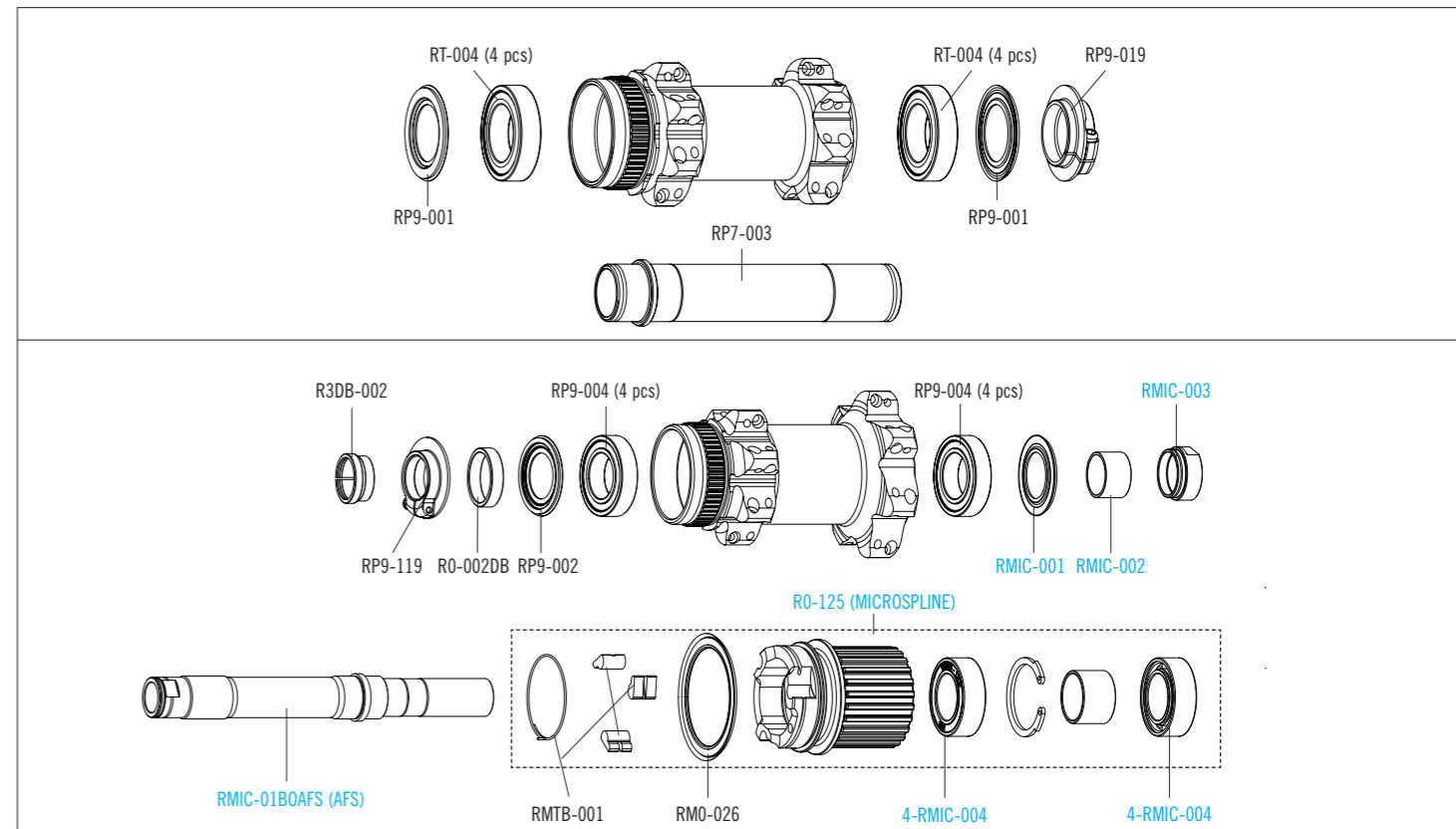
SPOKES

<p>SPOKES L. 305 (front RH/rear LH) SPOKES L. 303 (front LH/rear RH) NIPPLES TOOL</p>	<p>RZ5-DS305 RZ5-DS303 R5-B01 T-18</p>	<p>8 spokes + 8 nipples 8 spokes + 8 nipples 50 pcs. spoke spanner</p>
---------------------------------------------------------------------------------------------------	----------------------------------------------------	------------------------------------------------------------------------------------

RED ZONE 5/500 29

AFS / MICROSPLINE
front BOOST: HH15-110
rear BOOST: HH12-148

HUBS/MOZZI

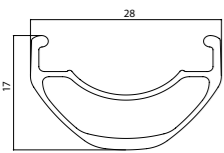


RED ZONE 7/700 27.5

AFS
front: QR/15mm ta
rear: QR/12mm ta 142-135

RIMS & SPOKES/CERCHI E RAGGI

RIM

	<p>LABEL KIT VALVE HOLE RIM-TAPE DIAMETER</p>	<p>RZ700-LAB19275 (Red Zone 700 FRONT+REAR) - RZ7-LAB19275 (Red Zone 7 FRONT+REAR) 6,5 mm RZ5-RT02 (28 mm - 2 pcs) 27.5 2WF-Ready</p>
-----------------------------------------------------------------------------------	-----------------------------------------------------------	---------------------------------------------------------------------------------------------------------------------------------------------------

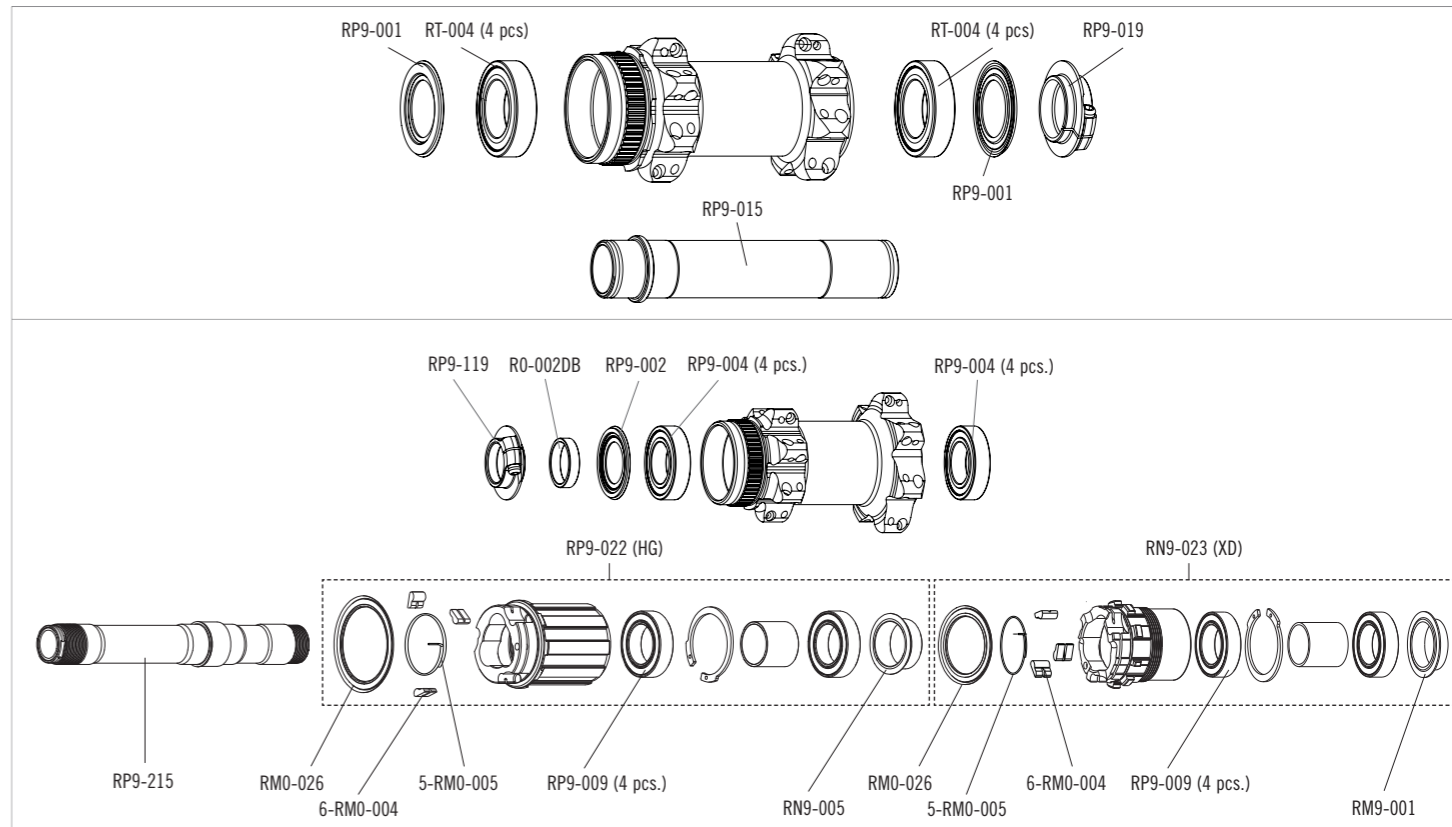
SPOKES

<p>SPOKES L.284,5 (front RH/rear LH) SPOKES L.283 (front LH/rear RH) NIPPLES TOOL</p>	<p>RZ7-DS7 RZ7-DS6 RZ7-B T-18</p>	<p>8 spokes + 8 nipples 8 spokes + 8 nipples 50 pcs. spoke spanner</p>
---------------------------------------------------------------------------------------------------	-----------------------------------------------	------------------------------------------------------------------------------------

RED ZONE 7/700 27.5

AFS
front: QR/15mm ta
rear: QR/12mm ta 142-135

HUBS/MOZZI



Complete FW body / Corpetti RL completi

RP9-022 (HG) - RN9-023 (XD)

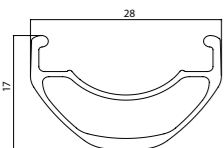
RED ZONE 7/700 27.5

AFS / HG - XD

front BOOST: HH15-110
rear BOOST: HH12-148

RIMS & SPOKES/CERCHI E RAGGI

RIM

	<p>LABEL KIT VALVE HOLE RIM-TAPE DIAMETER</p>	<p>RZ700-LAB19275 (Red Zone 700 FRONT+REAR) - RZ7-LAB19275 (Red Zone 7 FRONT+REAR) 6,5 mm RZ5-RT02 (28 mm - 2 pcs) 27.5 2WF-Ready</p>
-----------------------------------------------------------------------------------	-----------------------------------------------------------	---------------------------------------------------------------------------------------------------------------------------------------------------

SPOKES

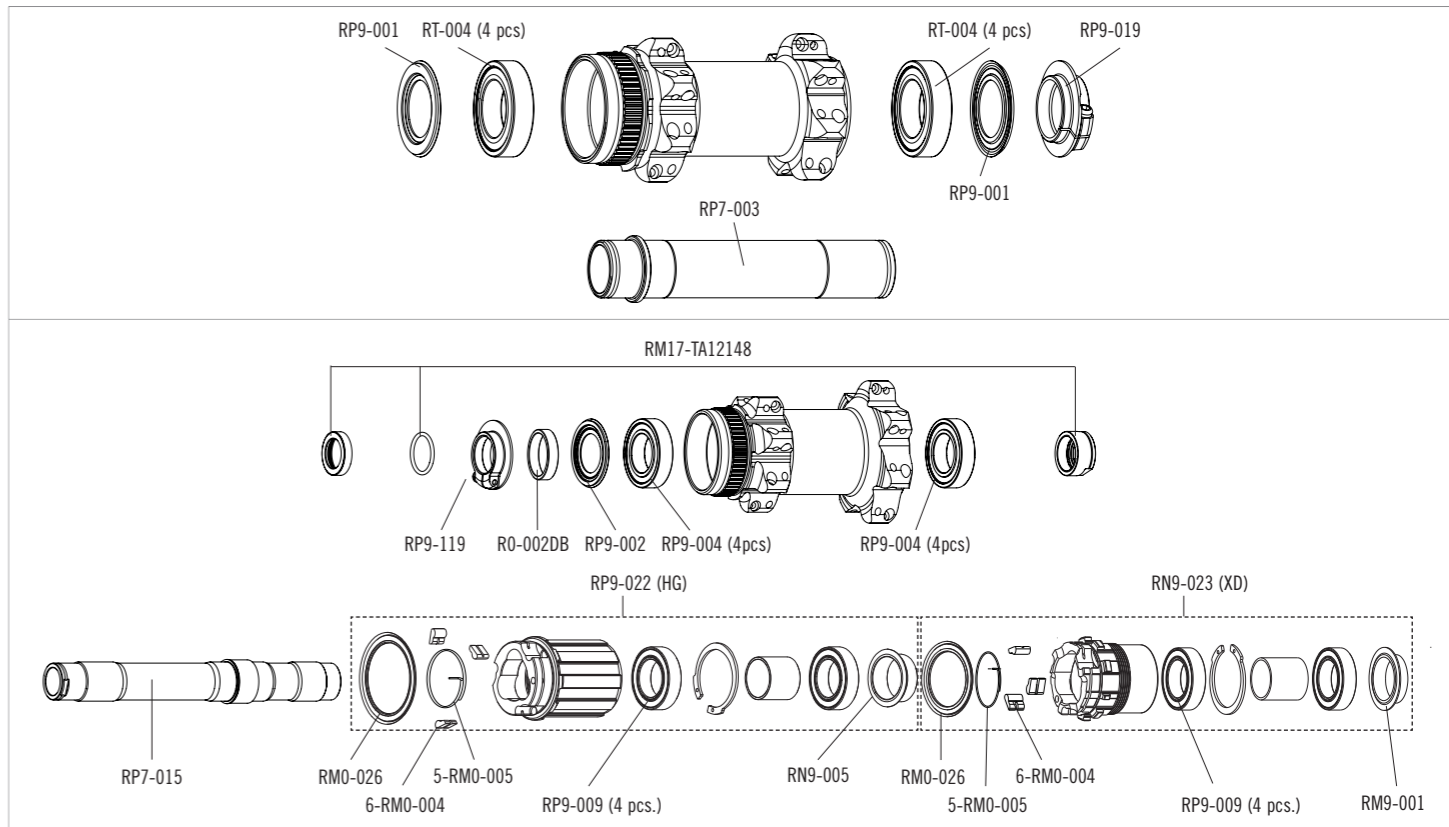
SPOKES L. 286 (front RH/rear LH)	RZ7-DS8	8 spokes + 8 nipples
SPOKES L. 284,5 (front LH/rear RH)	RZ7-DS7	8 spokes + 8 nipples
NIPPLES	RZ7-B	50 pcs.
TOOL	T-18	spoke spanner

RED ZONE 7/700 27.5

AFS / HG - XD

front BOOST: HH15-110
rear BOOST: HH12-148

HUBS/MOZZI



XD FW body / Corpetto RL XD

RN9-023 (FW body) + **RM17-TA12148** (adapter)

RED ZONE 7/700 27.5

AFS / MICROSPLINE
front BOOST: HH15-110
rear BOOST: HH12-148

RIMS & SPOKES/CERCHI E RAGGI

RIM

	<p>LABEL KIT VALVE HOLE RIM-TAPE DIAMETER</p>	<p>RZ700-LAB19275 (Red Zone 700 FRONT+REAR) - RZ7-LAB19275 (Red Zone 7 FRONT+REAR) 6,5 mm RZ5-RT02 (28 mm - 2 pcs) 27.5 2WF-Ready</p>
-----------------------------------------------------------------------------------	-----------------------------------------------------------	---------------------------------------------------------------------------------------------------------------------------------------------------

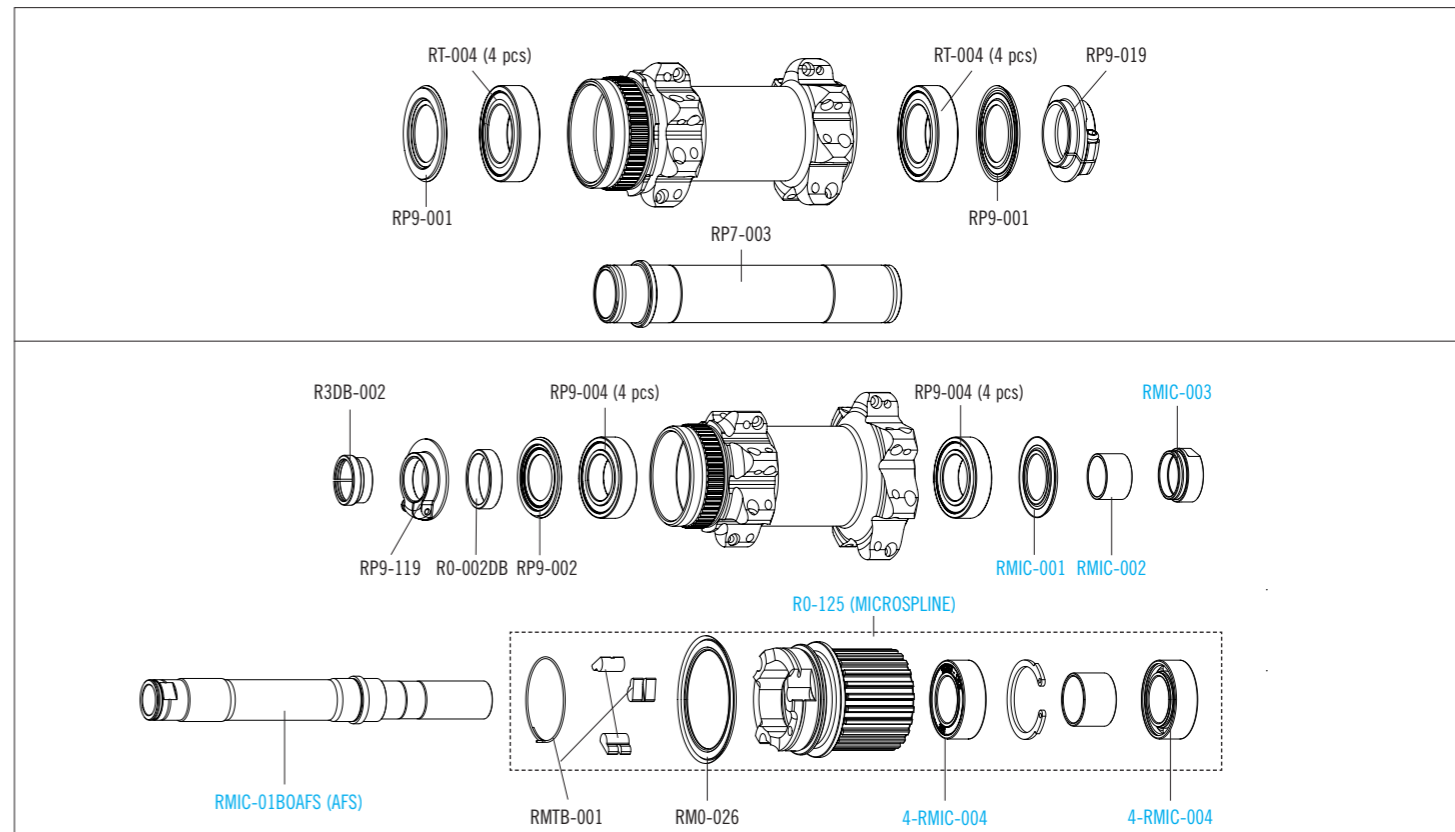
SPOKES

SPOKES L. 286 (front RH/rear LH)	RZ7-DS8	8 spokes + 8 nipples
SPOKES L. 284,5 (front LH/rear RH)	RZ7-DS7	8 spokes + 8 nipples
NIPPLES	RZ7-B	50 pcs.
TOOL	T-18	spoke spanner

RED ZONE 7/700 27.5

AFS / MICROSPLINE
front BOOST: HH15-110
rear BOOST: HH12-148

HUBS/MOZZI



RED ZONE 7/700 29

AFS
front: QR/15mm ta
rear: QR/12mm ta 142-135

RIMS & SPOKES/CERCHI E RAGGI

RIM

	<p>LABEL KIT VALVE HOLE RIM TAPE DIAMETER</p>	<p>RZ700-LAB18DB (Red Zone 700 FRONT+REAR) - RZ7-LAB18DB (Red Zone 7 FRONT+REAR) 6,5 mm RZ5-RT01 (28 mm - 2 pcs) 29 2WF-Ready</p>
----------------------------------------------------------------------------------	-----------------------------------------------------------	-----------------------------------------------------------------------------------------------------------------------------------------------

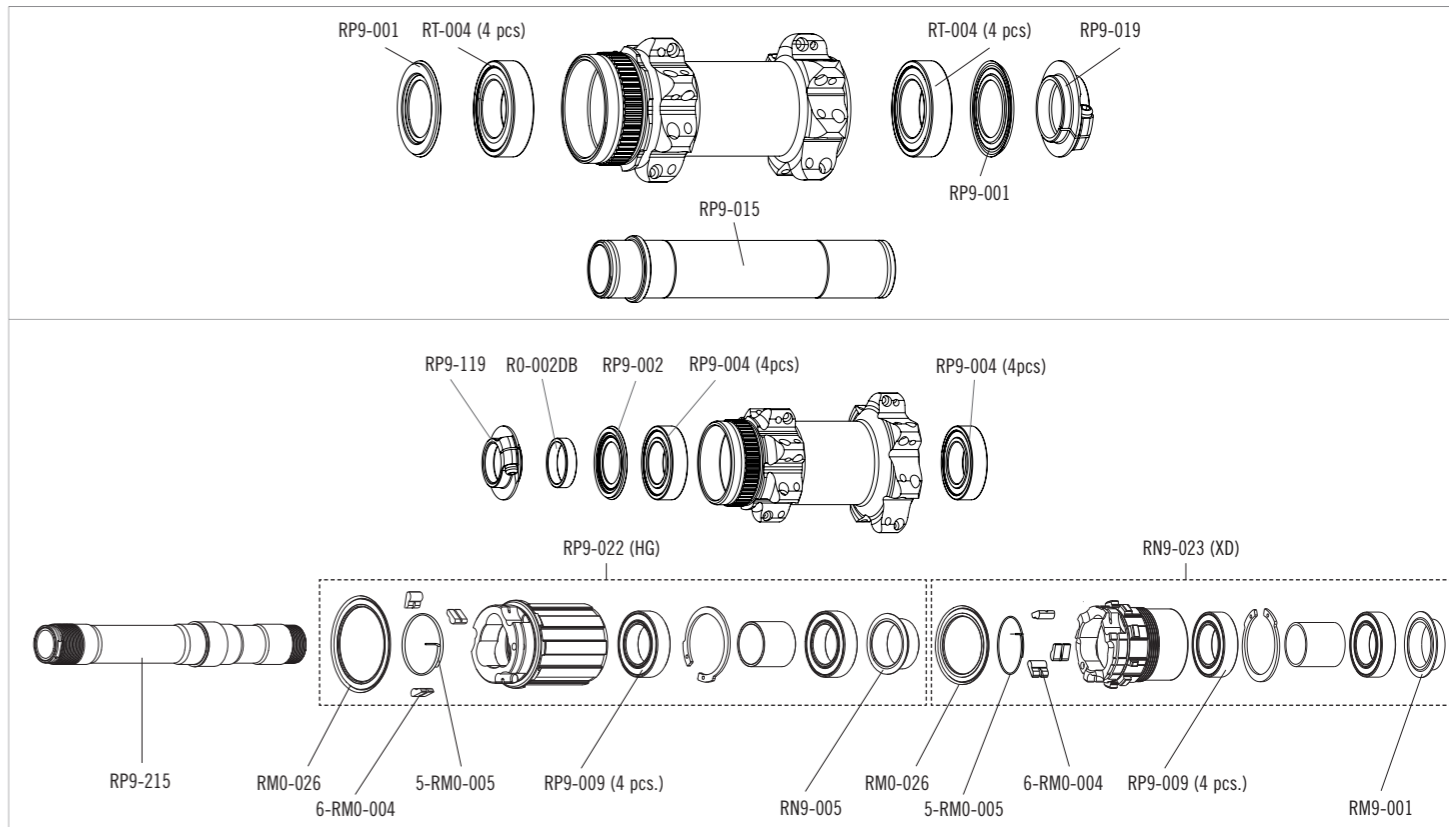
SPOKES

SPOKES L. 303 (front RH/rear LH)	RZ7-DS303	8 spokes + 8 nipples
SPOKES L. 302 (front LH/rear RH)	RZ7-DS302	8 spokes + 8 nipples
NIPPLES	RZ7-B	50 pcs.

RED ZONE 7/700 29

AFS
front: QR/15mm ta
rear: QR/12mm ta 142-135

HUBS/MOZZI



Complete FW body / Corpetti RL completi

RP9-022 (HG) - RN9-023 (XD)

RED ZONE 7/700 29

AFS / HG - XD
front BOOST: HH15-110
rear BOOST: HH12-148

RIMS & SPOKES/CERCHI E RAGGI

RIM

	<p>LABEL KIT VALVE HOLE RIM TAPE DIAMETER</p>	<p>RZ700-LAB18DB (Red Zone 700 FRONT+REAR) - RZ7-LAB18DB (Red Zone 7 FRONT+REAR) 6,5 mm RZ5-RT01 (28 mm - 2 pcs) 29 2WF-Ready</p>
----------------------------------------------------------------------------------	-----------------------------------------------------------	-----------------------------------------------------------------------------------------------------------------------------------------------

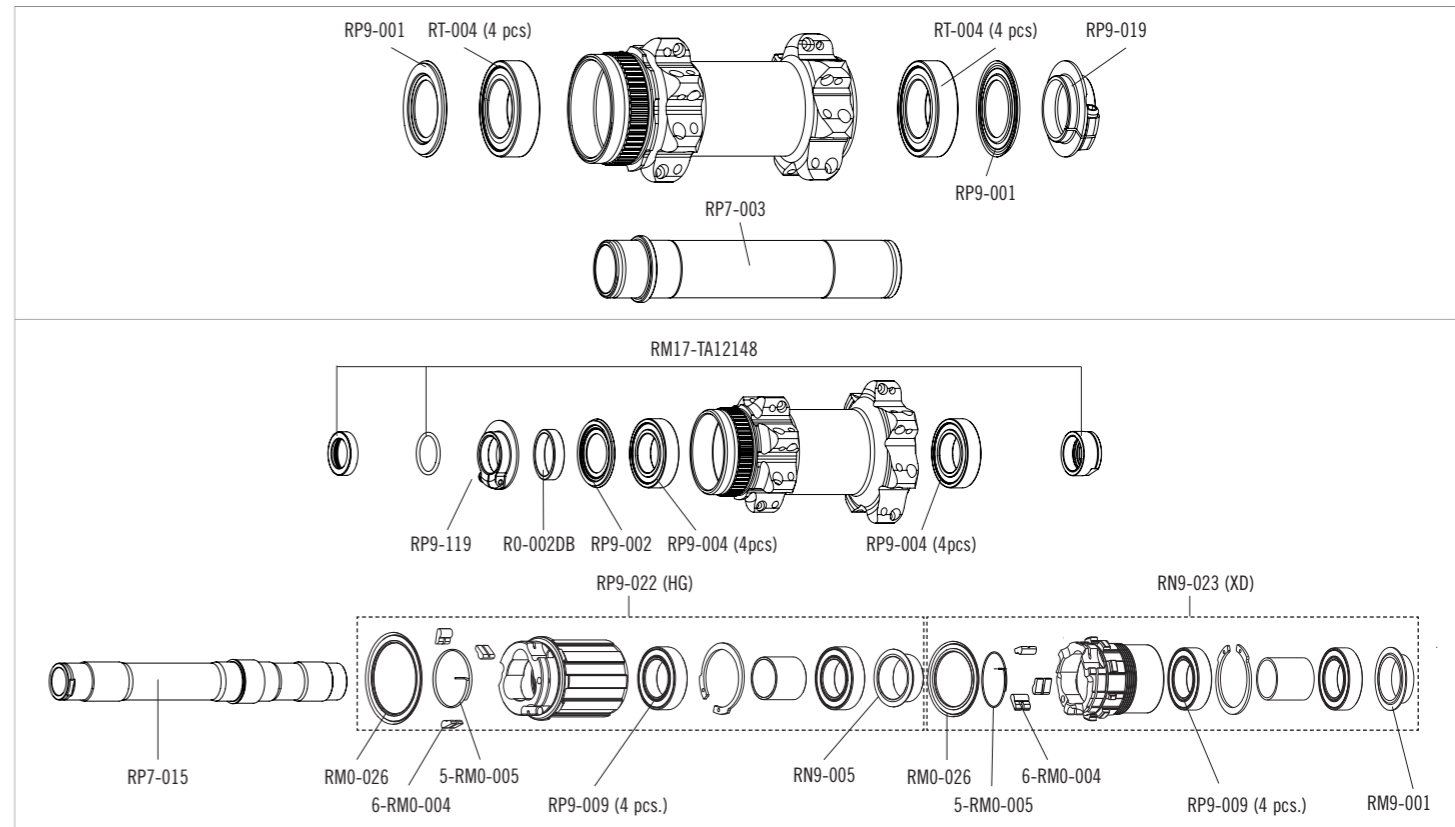
SPOKES

<p>SPOKES L. 305 (front RH/rear LH) SPOKES L. 303 (front LH/rear RH) NIPPLES</p>	<p>RZ7-DS305 RZ7-DS303 RZ7-B</p>	<p>8 spokes + 8 nipples 8 spokes + 8 nipples 50 pcs.</p>
------------------------------------------------------------------------------------------	------------------------------------------	------------------------------------------------------------------

RED ZONE 7/700 29

AFS / HG - XD
front BOOST: HH15-110
rear BOOST: HH12-148

HUBS/MOZZI



XD FW body / Corpetto RL XD

RN9-023 (FW body) + **RM17-TA12148** (adapter)

RED ZONE 7/700 29

AFS / MICROSPLINE
front BOOST: HH15-110
rear BOOST: HH12-148

RIMS & SPOKES/CERCHI E RAGGI

RIM

	<p>LABEL KIT VALVE HOLE RIM TAPE DIAMETER</p>	<p>RZ700-LAB18DB (Red Zone 700 FRONT+REAR) - RZ7-LAB18DB (Red Zone 7 FRONT+REAR) 6,5 mm RZ5-RT01 (28 mm - 2 pcs) 29 2WF-Ready</p>
----------------------------------------------------------------------------------	-----------------------------------------------------------	-----------------------------------------------------------------------------------------------------------------------------------------------

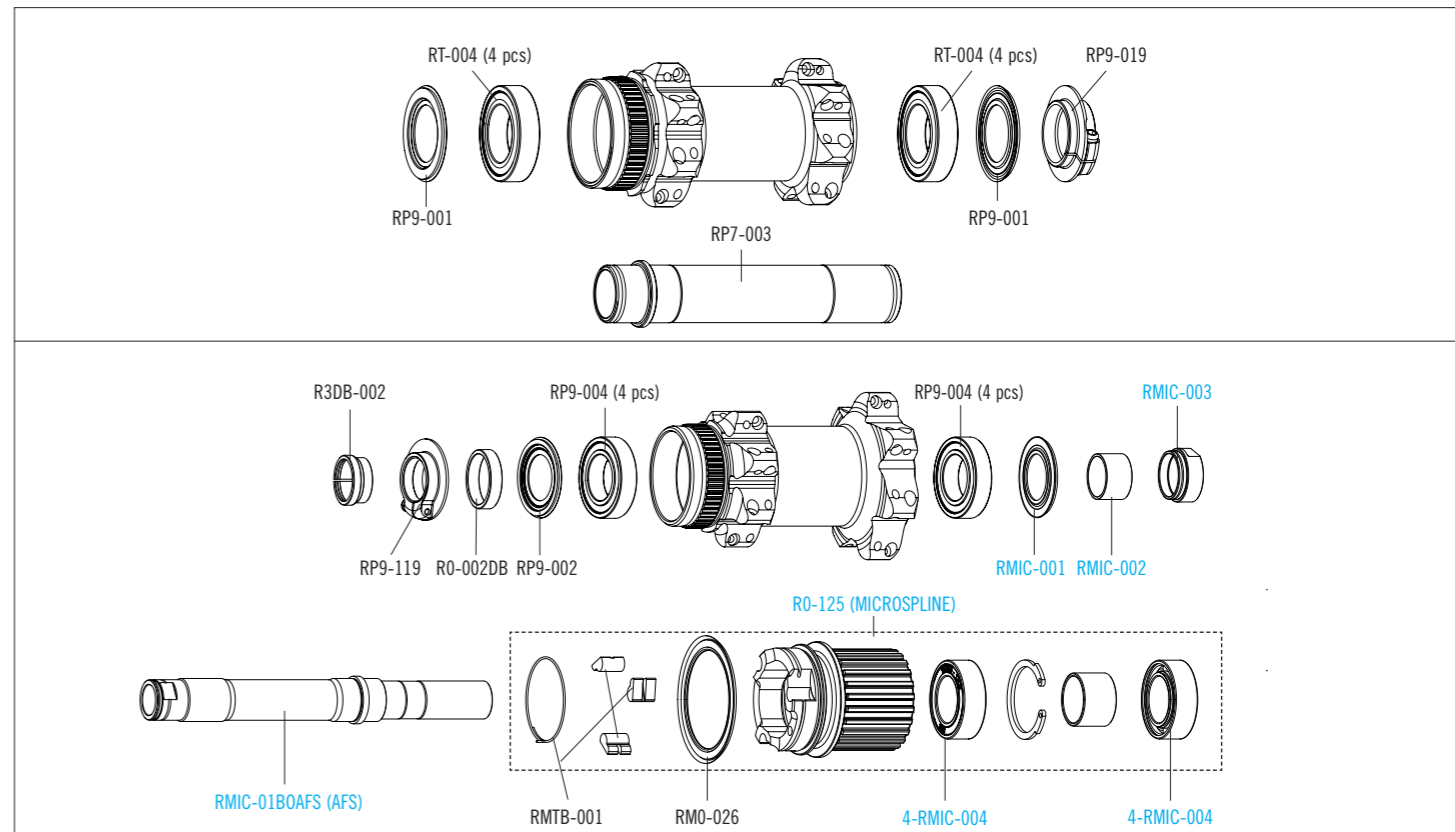
SPOKES

<p>SPOKES L. 305 (front RH/rear LH) SPOKES L. 303 (front LH/rear RH) NIPPLES</p>	<p>RZ7-DS305 RZ7-DS303 RZ7-B</p>	<p>8 spokes + 8 nipples 8 spokes + 8 nipples 50 pcs.</p>
------------------------------------------------------------------------------------------	------------------------------------------	------------------------------------------------------------------

RED ZONE 7/700 29

AFS / MICROSPLINE
front BOOST: HH15-110
rear BOOST: HH12-148

HUBS/MOZZI



RED METAL 5/500 29

AFS / HG - XD
front BOOST: HH15-110
rear BOOST: HH12-148

RIMS & SPOKES/CERCHI E RAGGI

RIM

	<p>LABEL KIT VALVE HOLE RIM-TAPE DIAMETER</p>	<p>RM500-LAB20 (Red Metal 500 FRONT+REAR) - RM5-LAB20 (Red Metal 5 FRONT+REAR) 6,5 mm RM5-20RT1 (31,5 mm - 2 pcs) 29 2WF-Ready</p>
----------------------------------------------------------------------------------	-----------------------------------------------------------	------------------------------------------------------------------------------------------------------------------------------------------------

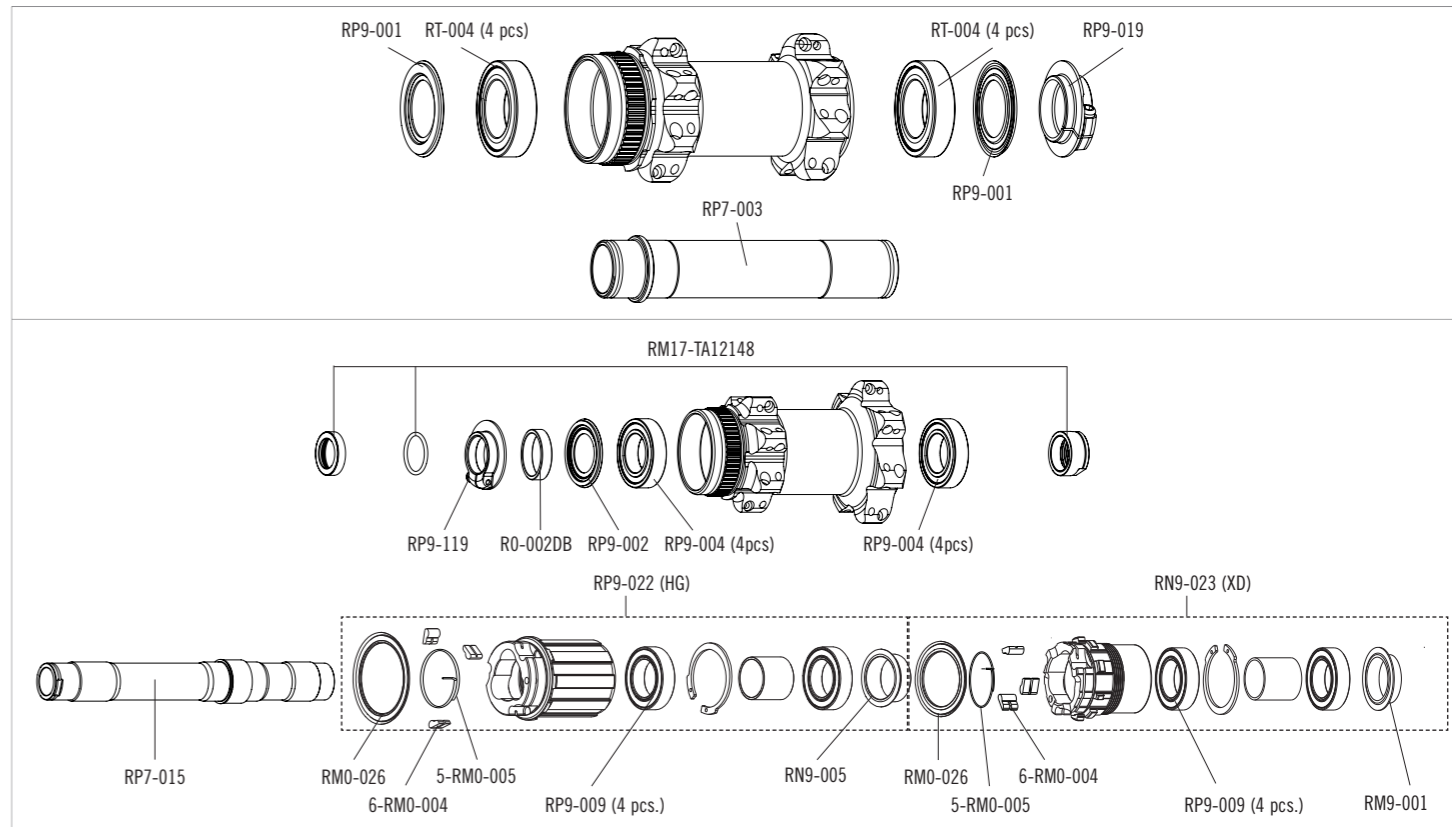
SPOKES

<p>SPOKES L. 305 (front RH/rear LH) SPOKES L. 303 (front LH/rear RH) NIPPLES TOOL</p>	<p>RZ5-DS305 RZ5-DS303 R5-B01 T-18</p>	<p>8 spokes + 8 nipples 8 spokes + 8 nipples 50 pcs. spoke spanner</p>
---------------------------------------------------------------------------------------------------	----------------------------------------------------	------------------------------------------------------------------------------------

RED METAL 5/500 29

AFS / HG - XD
front BOOST: HH15-110
rear BOOST: HH12-148

HUBS/MOZZI



XD FW body / Corpetto RL XD

RN9-023 (FW body) + **RM17-TA12148** (adapter)

RED METAL 5/500 29

AFS / MICROSPLINE
front BOOST: HH15-110
rear BOOST: HH12-148

RIMS & SPOKES/CERCHI E RAGGI

RIM

	LABEL KIT VALVE HOLE RIM-TAPE DIAMETER	RM500-LAB20 (Red Metal 500 FRONT+REAR) - RM5-LAB20 (Red Metal 5 FRONT+REAR)
		6,5 mm RM5-20RT1 (31,5 mm - 2 pcs) 29 2WF-Ready

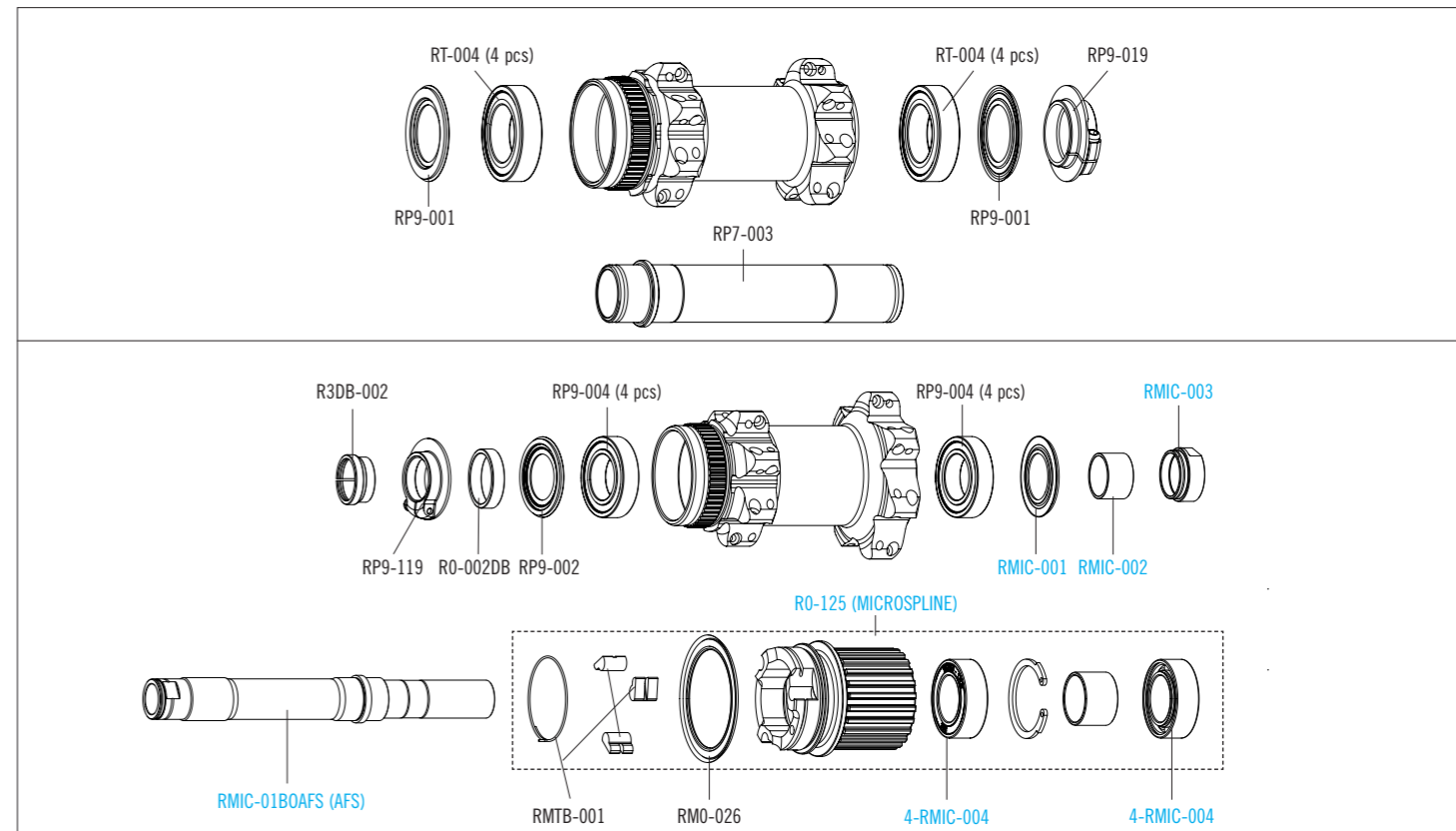
SPOKES

SPOKES L. 305 (front RH/rear LH)	RZ5-DS305	8 spokes + 8 nipples
SPOKES L. 303 (front LH/rear RH)	RZ5-DS303	8 spokes + 8 nipples
NIPPLES	R5-B01	50 pcs.
TOOL	T-18	spoke spanner

RED METAL 5/500 29

AFS / MICROSPLINE
front BOOST: HH15-110
rear BOOST: HH12-148

HUBS/MOZZI

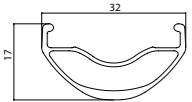


RED FIRE 5/500

AFS
front: QR/15mm ta
rear: QR/12mm ta 142-135

RIMS & SPOKES/CERCHI E RAGGI

RIM

	<p>LABEL KIT VALVE HOLE RIM TAPE DIAMETER</p>	<p>RF500-LAB18DB (Red Fire 500 FRONT+REAR) - RF5-LAB18DB (Red Fire 5 FRONT+REAR) 6,5 mm RF5-RT01 (31,5 mm - 2 pcs) 27.5 2WF-Ready</p>
-----------------------------------------------------------------------------------	-----------------------------------------------------------	---------------------------------------------------------------------------------------------------------------------------------------------------

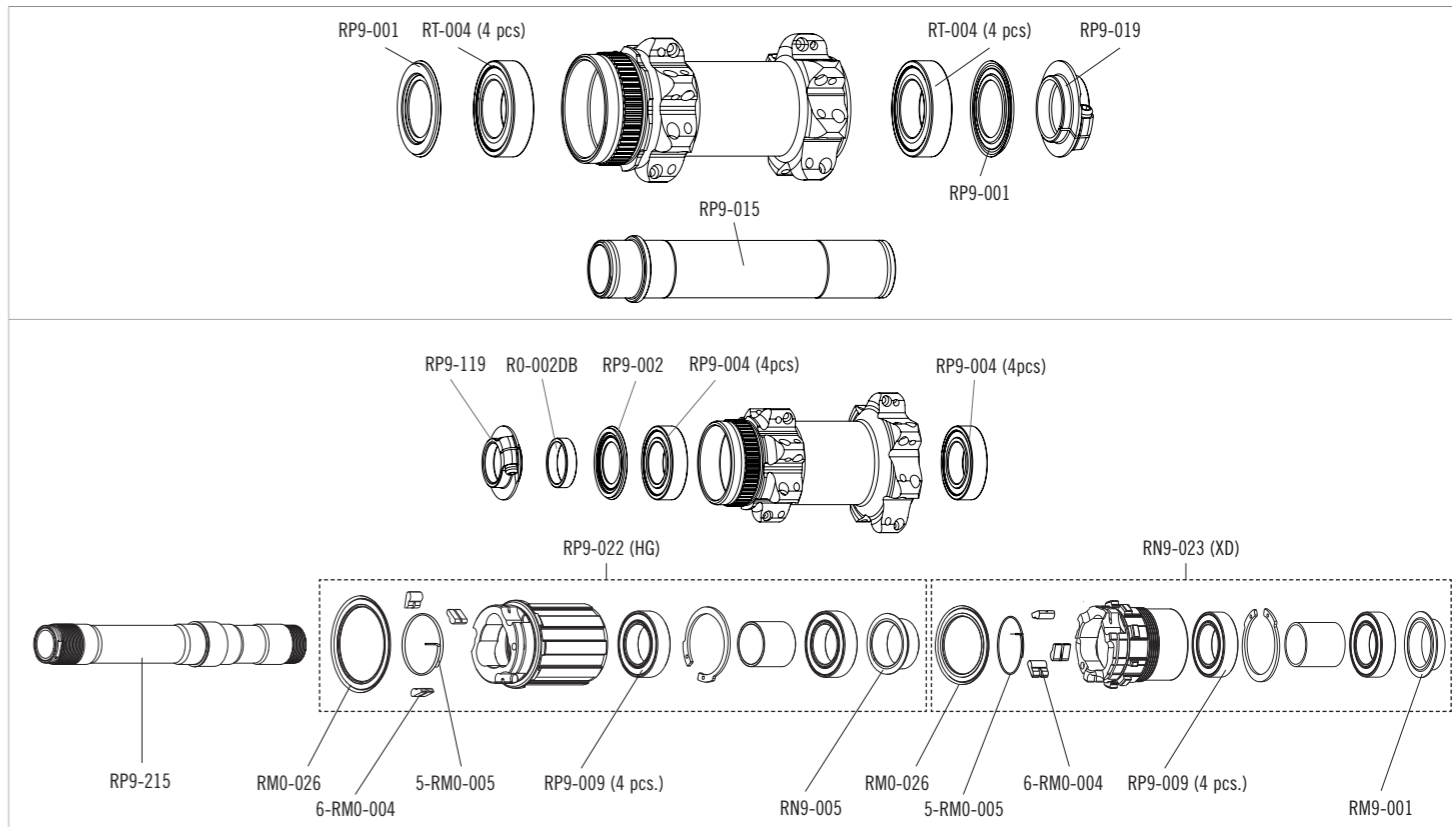
SPOKES

<p>SPOKES L. 286 (front RH/rear LH) SPOKES L. 284 (front LH/rear RH) NIPPLES</p>	<p>RF5-DS286 RF5-DS284 R5-B01</p>	<p>8 spokes + 8 nipples 8 spokes + 8 nipples 50 pcs.</p>
------------------------------------------------------------------------------------------	-------------------------------------------	------------------------------------------------------------------

RED FIRE 5/500

AFS
front: QR/15mm ta
rear: QR/12mm ta 142-135

HUBS/MOZZI



Complete FW body / Corpetti RL completi

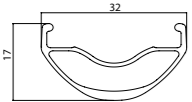
RP9-022 (HG) - RN9-023 (XD)

RED FIRE 5/500

AFS / HG - XD
front BOOST: HH15-110
rear BOOST: HH12-148

RIMS & SPOKES/CERCHI E RAGGI

RIM

	<p>LABEL KIT VALVE HOLE RIM TAPE DIAMETER</p>	<p>RF500-LAB18DB (Red Fire 500 FRONT+REAR) - RF5-LAB18DB (Red Fire 5 FRONT+REAR) 6,5 mm RF5-RT01 (31,5 mm - 2 pcs) 27.5 2WF-Ready</p>
-----------------------------------------------------------------------------------	-----------------------------------------------------------	---------------------------------------------------------------------------------------------------------------------------------------------------

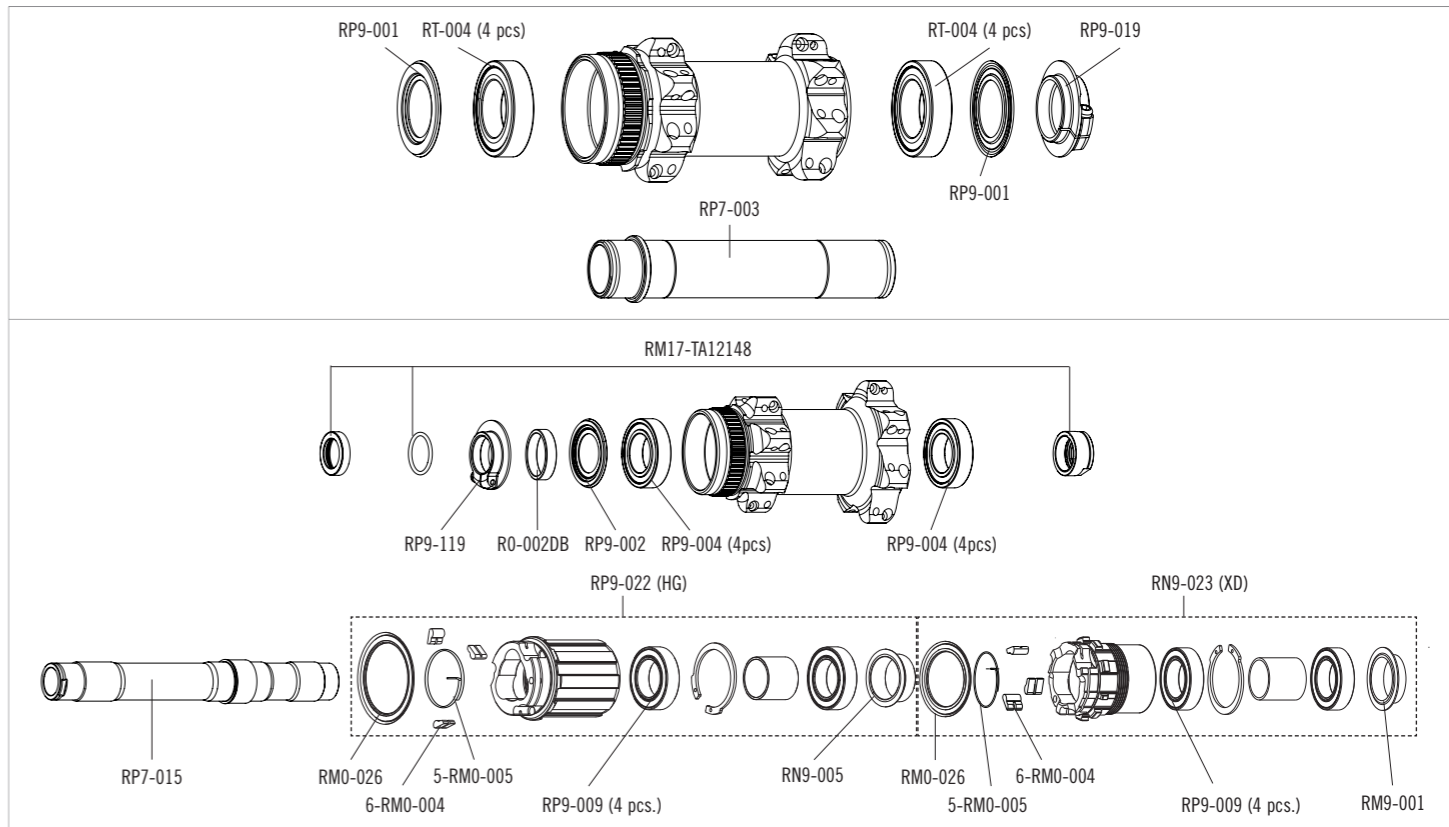
SPOKES

<p>SPOKES L. 286 (front RH/rear LH) SPOKES L. 284 (front LH/rear RH) NIPPLES</p>	<p>RF5-DS286 RF5-DS284 R5-B01</p>	<p>8 spokes + 8 nipples 8 spokes + 8 nipples 50 pcs.</p>
------------------------------------------------------------------------------------------	-------------------------------------------	------------------------------------------------------------------

RED FIRE 5/500

AFS / HG - XD
front BOOST: HH15-110
rear BOOST: HH12-148

HUBS/MOZZI



XD FW body / Corpetto RL XD

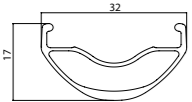
RN9-023 (FW body) + **RM17-TA12148** (adapter)

RED FIRE 5/500

AFS / MICROSPLINE
front BOOST: HH15-110
rear BOOST: HH12-148

RIMS & SPOKES/CERCHI E RAGGI

RIM

	<p>LABEL KIT VALVE HOLE RIM TAPE DIAMETER</p>	<p>RF500-LAB18DB (Red Fire 500 FRONT+REAR) - RF5-LAB18DB (Red Fire 5 FRONT+REAR) 6,5 mm RF5-RT01 (31,5 mm - 2 pcs) 27.5 2WF-Ready</p>
-----------------------------------------------------------------------------------	-----------------------------------------------------------	---------------------------------------------------------------------------------------------------------------------------------------------------

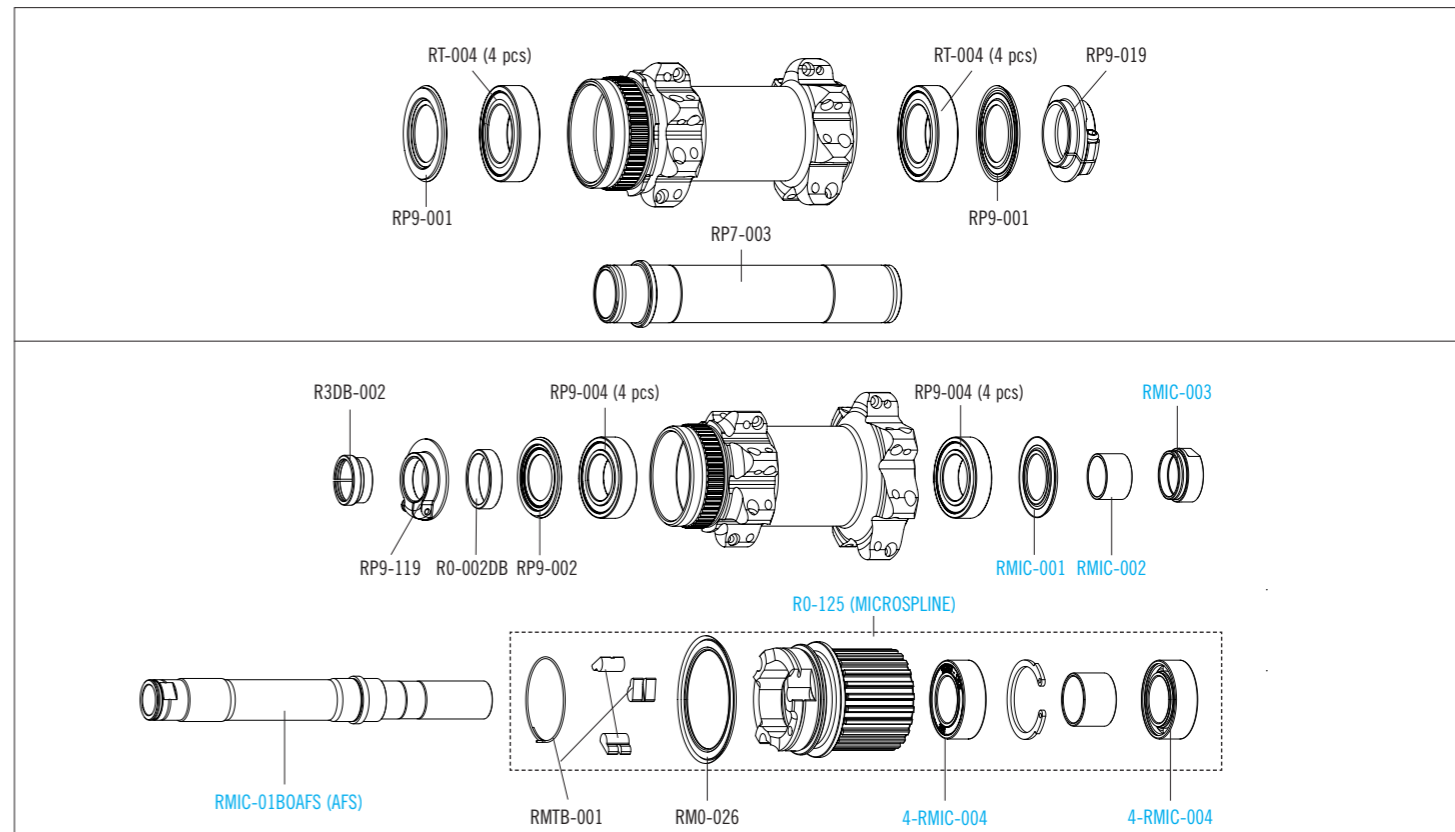
SPOKES

<p>SPOKES L. 286 (front RH/rear LH) SPOKES L. 284 (front LH/rear RH) NIPPLES</p>	<p>RF5-DS286 RF5-DS284 R5-B01</p>	<p>8 spokes + 8 nipples 8 spokes + 8 nipples 50 pcs.</p>
------------------------------------------------------------------------------------------	-------------------------------------------	------------------------------------------------------------------

RED FIRE 5/500

AFS / MICROSPLINE
front BOOST: HH15-110
rear BOOST: HH12-148

HUBS/MOZZI



E- METAL 3/300 27.5

6 BOLTS & AFS / HG - XD
front BOOST: HH15-110
rear BOOST: HH12-148

RIMS & SPOKES/CERCHI E RAGGI

RIM

	LABEL KIT	EM30027-LAB19 (E-METAL 300 FRONT + REAR) - EM327-LAB19 (E-METAL 3 FRONT + REAR)
	VALVE HOLE	6,5 mm
	RIM-TAPE	2-WH-RT2730 (32,5 mm - 2 pcs)
	DIAMETER	27,5 2WF-Ready

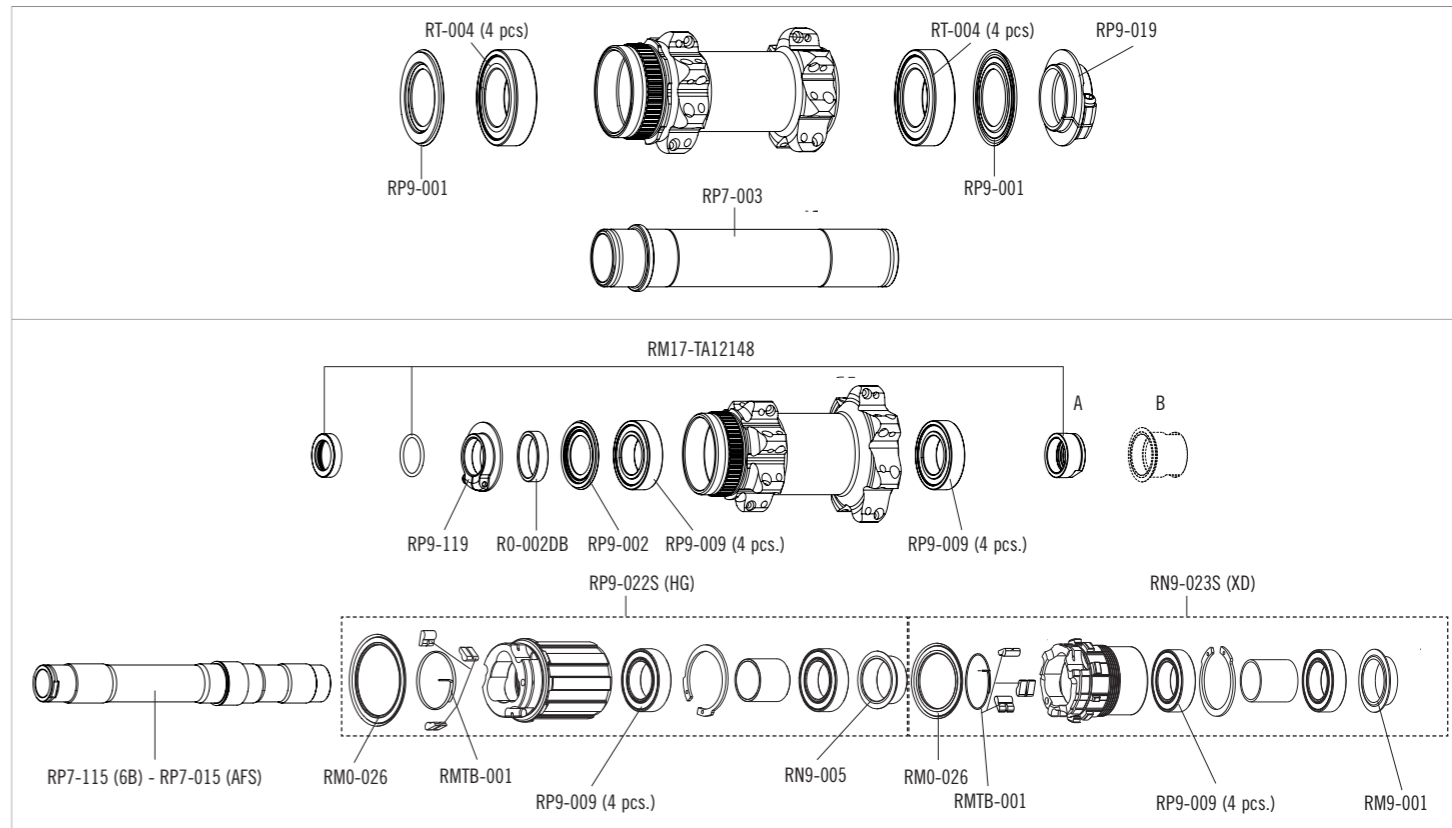
SPOKES

SPOKES L.282,5 mm (front LH)	EFM3-001	8 spokes + 8 nipples
SPOKES L.283,5 mm (front RH)	EFM3-002	8 spokes + 8 nipples
SPOKES L.287 mm (rear RH)	EFM3-003	8 spokes + 8 nipples
SPOKES L.289 mm (rear LH)	EFM3-004	8 spokes + 8 nipples
NIPPLES	50-EMF-015ALB	50 pcs.
TOOL	T-18	spoke spanner

E- METAL 3/300 27.5

6 BOLTS & AFS / HG - XD
front BOOST: HH15-110
rear BOOST: HH12-148

HUBS/MOZZI



XD FW body / Corpetto RL XD

RN9-023S (FW body) + **RM17-TA12148** (adapter)

HG FW body only / Corpetto RL HG

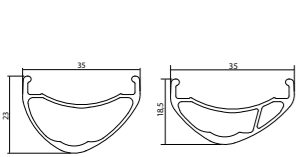
B (not coded) = **RN9-005** + A

E- METAL 3/300 27.5

6 BOLTS & AFS / **MICROSPLINE**
front BOOST: HH15-110
rear BOOST: HH12-148

RIMS & SPOKES/CERCHI E RAGGI

RIM

	<p>LABEL KIT VALVE HOLE RIM-TAPE DIAMETER</p>	<p>EM30027-LAB19 (E-METAL 300 FRONT + REAR) - EM327-LAB19 (E-METAL 3 FRONT + REAR) 6,5 mm 2-WH-RT2730 (32,5 mm - 2 pcs) 27,5 2WF-Ready</p>
----------------------------------------------------------------------------------	-----------------------------------------------------------	--------------------------------------------------------------------------------------------------------------------------------------------------------

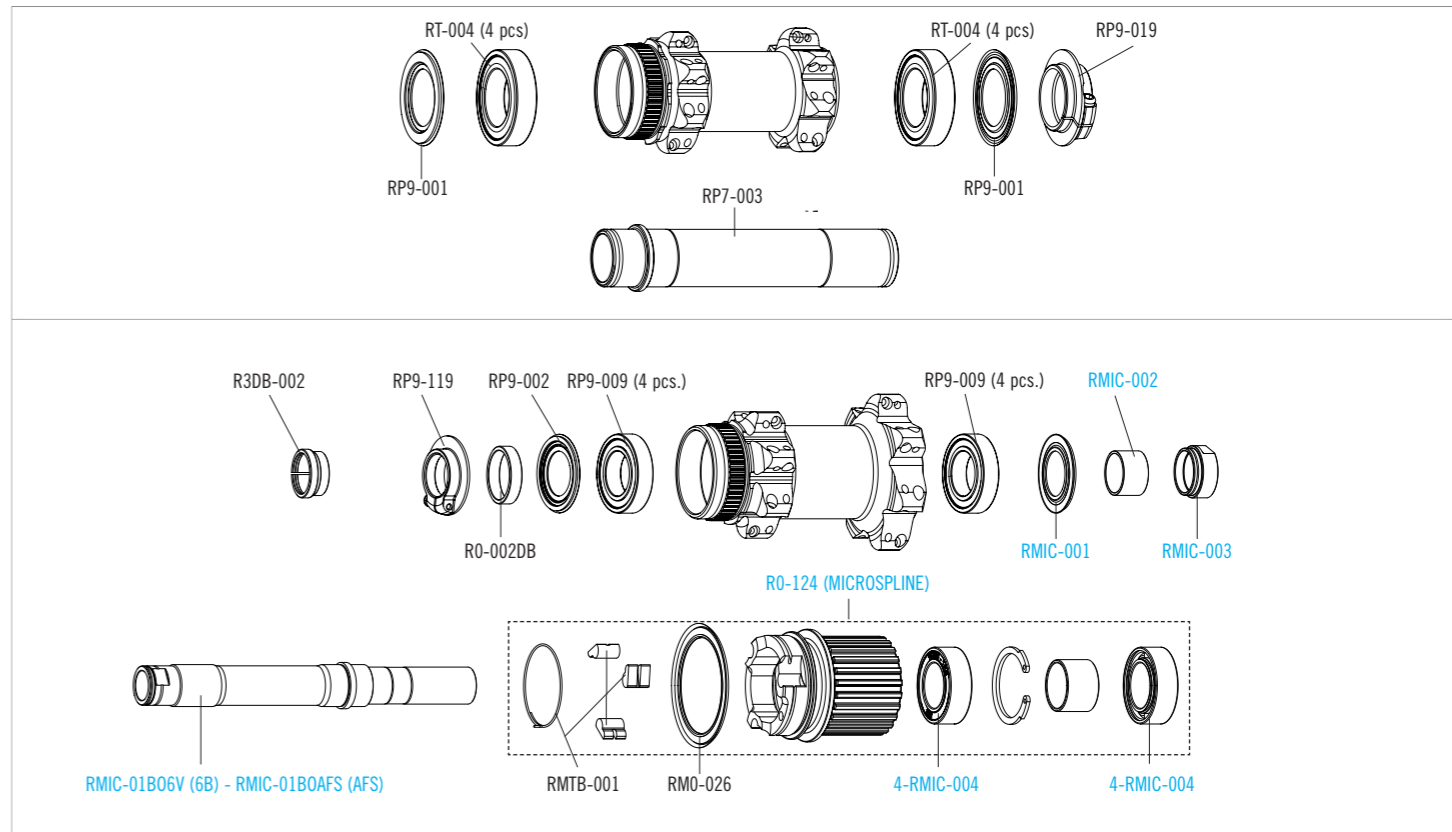
SPOKES

SPOKES L.282,5 mm (front LH)	EFM3-001	8 spokes + 8 nipples
SPOKES L.283,5 mm (front RH)	EFM3-002	8 spokes + 8 nipples
SPOKES L.287 mm (rear RH)	EFM3-003	8 spokes + 8 nipples
SPOKES L.289 mm (rear LH)	EFM3-004	8 spokes + 8 nipples
NIPPLES	50-EMF-015ALB	50 pcs.
TOOL	T-18	spoke spanner

E- METAL 3/300 27.5

6 BOLTS & AFS / **MICROSPLINE**
front BOOST: HH15-110
rear BOOST: HH12-148

HUBS/MOZZI



E- METAL 3/300 29

6 BOLTS & AFS / HG - XD
front BOOST: HH15-110
rear BOOST: HH12-148

RIMS & SPOKES/CERCHI E RAGGI

RIM

	FRONT RIM	EM329-F20 (with labels)
	REAR RIM	EM329-R20 (with labels)
LABEL KIT	EM30029-LAB19 (E-METAL 300 FRONT + REAR) - EM329-LAB19 (E-METAL 3 FRONT + REAR)	
VALVE HOLE	6,5 mm	
RIM-TAPE	2-WH-RT2930 (32,5 mm - 2 pcs)	
DIAMETER	29 2WF-Ready	

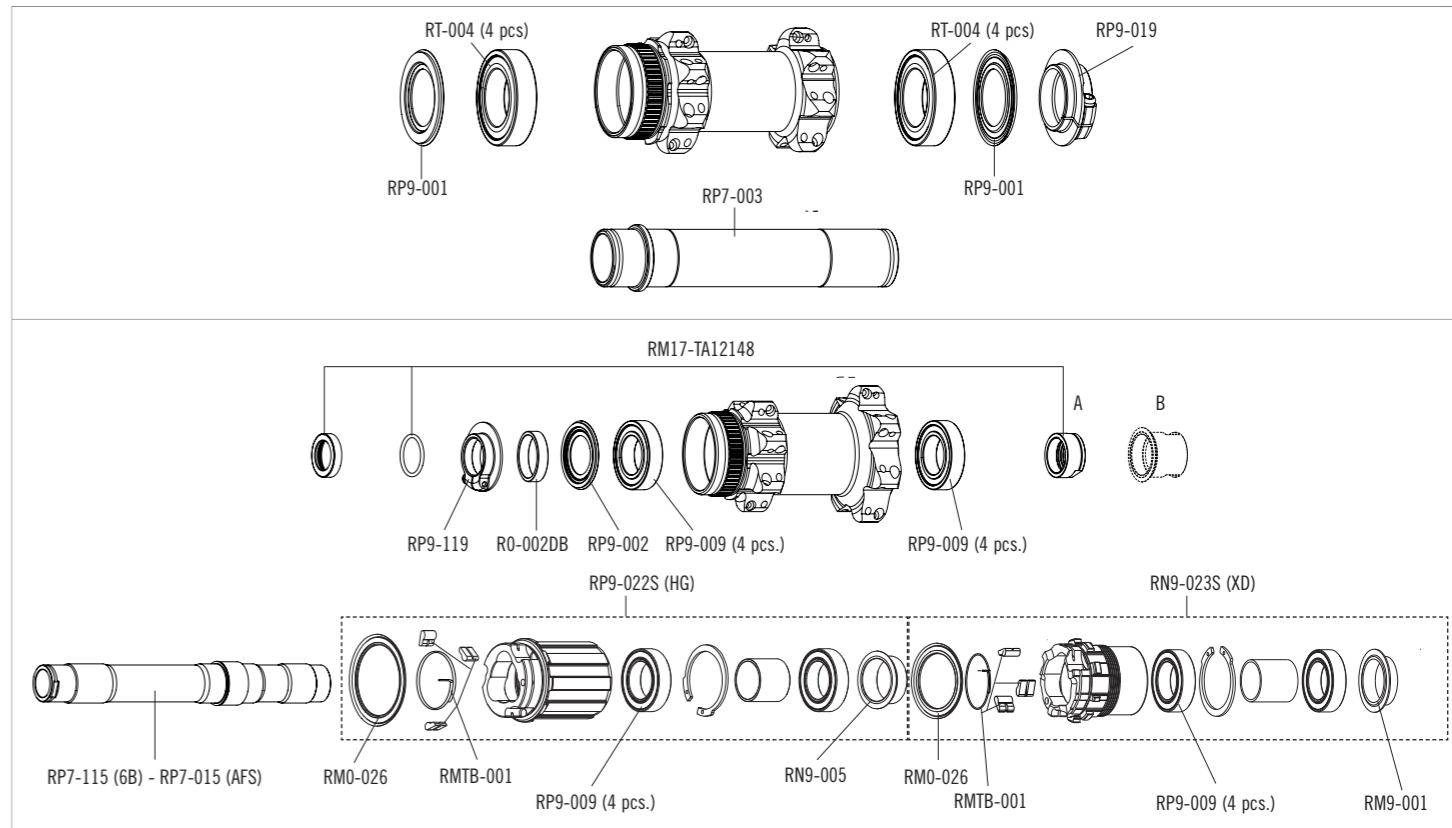
SPOKES

SPOKES L.302,5 mm (front)	EM3-001	8 spokes + 8 nipples
SPOKES L.307 mm (rear)	EM3-002	8 spokes + 8 nipples
NIPPLES	50-EMF-015ALB	50 pcs.
TOOL	T-18	spoke spanner

E- METAL 3/300 29

6 BOLTS & AFS / HG - XD
front BOOST: HH15-110
rear BOOST: HH12-148

HUBS/MOZZI



XD FW body / Corpetto RL XD

RN9-023S (FW body) + RM17-TA12148 (adapter)

HG FW body only / Corpetto RL HG

B (not coded) = RN9-005 + A

E- METAL 3/300 29

6 BOLTS & AFS / **MICROSPLINE**
 front BOOST: HH15-110
 rear BOOST: HH12-148

RIMS & SPOKES/CERCHI E RAGGI

RIM

	FRONT RIM REAR RIM LABEL KIT VALVE HOLE RIM-TAPE DIAMETER	EM329-F20 (with labels) EM329-R20 (with labels) EM30029-LAB19 (E-METAL 300 FRONT + REAR) - EM329-LAB19 (E-METAL 3 FRONT + REAR) 6,5 mm 2-WH-RT2930 (32,5 mm - 2 pcs) 29 2WF-Ready
----------------------------------------------------------------------------------	--------------------------------------------------------------------------	--------------------------------------------------------------------------------------------------------------------------------------------------------------------------------------------------

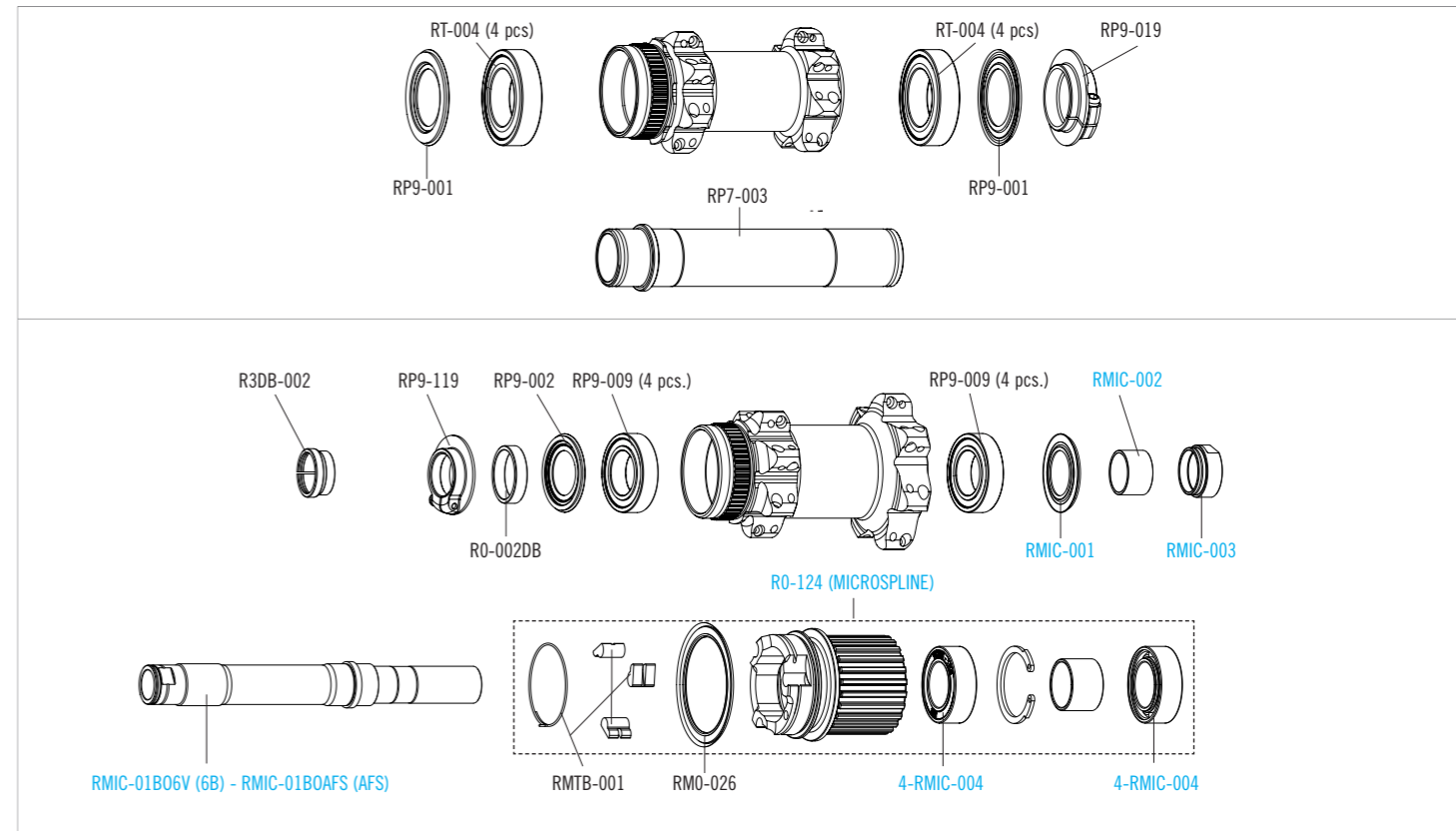
SPOKES

SPOKES L.302,5 mm (front) SPOKES L.307 mm (rear) NIPPLES TOOL	EM3-001 EM3-002 50-EMF-015ALB T-18	8 spokes + 8 nipples 8 spokes + 8 nipples 50 pcs. spoke spanner
------------------------------------------------------------------------	---------------------------------------------	--------------------------------------------------------------------------

E- METAL 3/300 29

6 BOLTS & AFS / **MICROSPLINE**
 front BOOST: HH15-110
 rear BOOST: HH12-148

HUBS/MOZZI

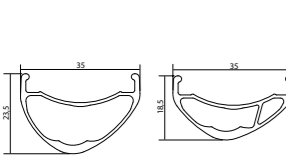


E- METAL 5/500 27.5

6 BOLTS & AFS / **HG - XD**
front BOOST: HH15-110
rear BOOST: HH12-148

RIMS & SPOKES/CERCHI E RAGGI

RIM

	<p>LABEL KIT VALVE HOLE RIM-TAPE DIAMETER</p>	<p>EM50027-LAB19 (E-METAL 500 FRONT + REAR) - EM527-LAB19 (E-METAL 5 FRONT + REAR) 6,5 mm 2-WH-RT2730 (32,5 mm - 2 pcs) 27,5 2WF-Ready</p>
----------------------------------------------------------------------------------	-----------------------------------------------------------	--------------------------------------------------------------------------------------------------------------------------------------------------------

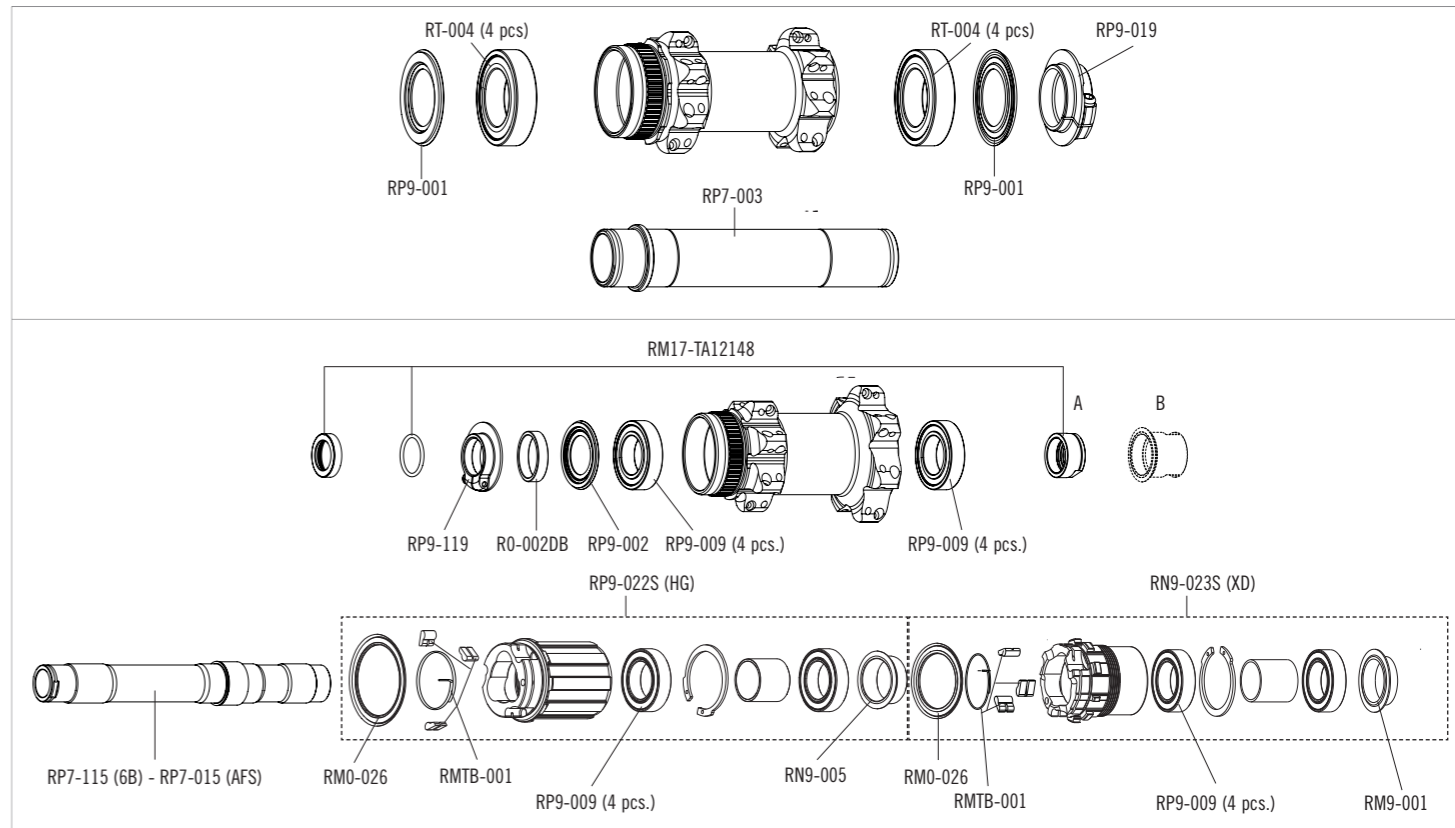
SPOKES

SPOKES L.282,5 mm (front LH)	EFM5-001	8 spokes + 8 nipples
SPOKES L.283,5 mm (front RH)	EFM5-002	8 spokes + 8 nipples
SPOKES L.287 mm (rear RH)	EFM5-004	8 spokes + 8 nipples
SPOKES L.289 mm (rear LH)	EFM5-003	8 spokes + 8 nipples
NIPPLES	50-EMF-015BRB	50 pcs.
TOOL	T-18	spoke spanner

E- METAL 5/500 27.5

6 BOLTS & AFS / **HG - XD**
front BOOST: HH15-110
rear BOOST: HH12-148

HUBS/MOZZI



XD FW body / Corpetto RL XD

RN9-023S (FW body) + **RM17-TA12148** (adapter)

HG FW body only / Corpetto RL HG

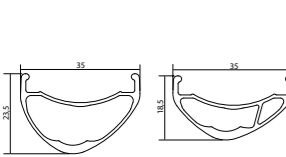
B (not coded) = **RN9-005** + A

E- METAL 5/500 27.5

6 BOLTS & AFS / **MICROSPLINE**
front BOOST: HH15-110
rear BOOST: HH12-148

RIMS & SPOKES/CERCHI E RAGGI

RIM

	<p>LABEL KIT VALVE HOLE RIM-TAPE DIAMETER</p>	<p>EM50027-LAB19 (E-METAL 500 FRONT + REAR) - EM527-LAB19 (E-METAL 5 FRONT + REAR) 6,5 mm 2-WH-RT2730 (32,5 mm - 2 pcs) 27,5 2WF-Ready</p>
----------------------------------------------------------------------------------	-----------------------------------------------------------	--------------------------------------------------------------------------------------------------------------------------------------------------------

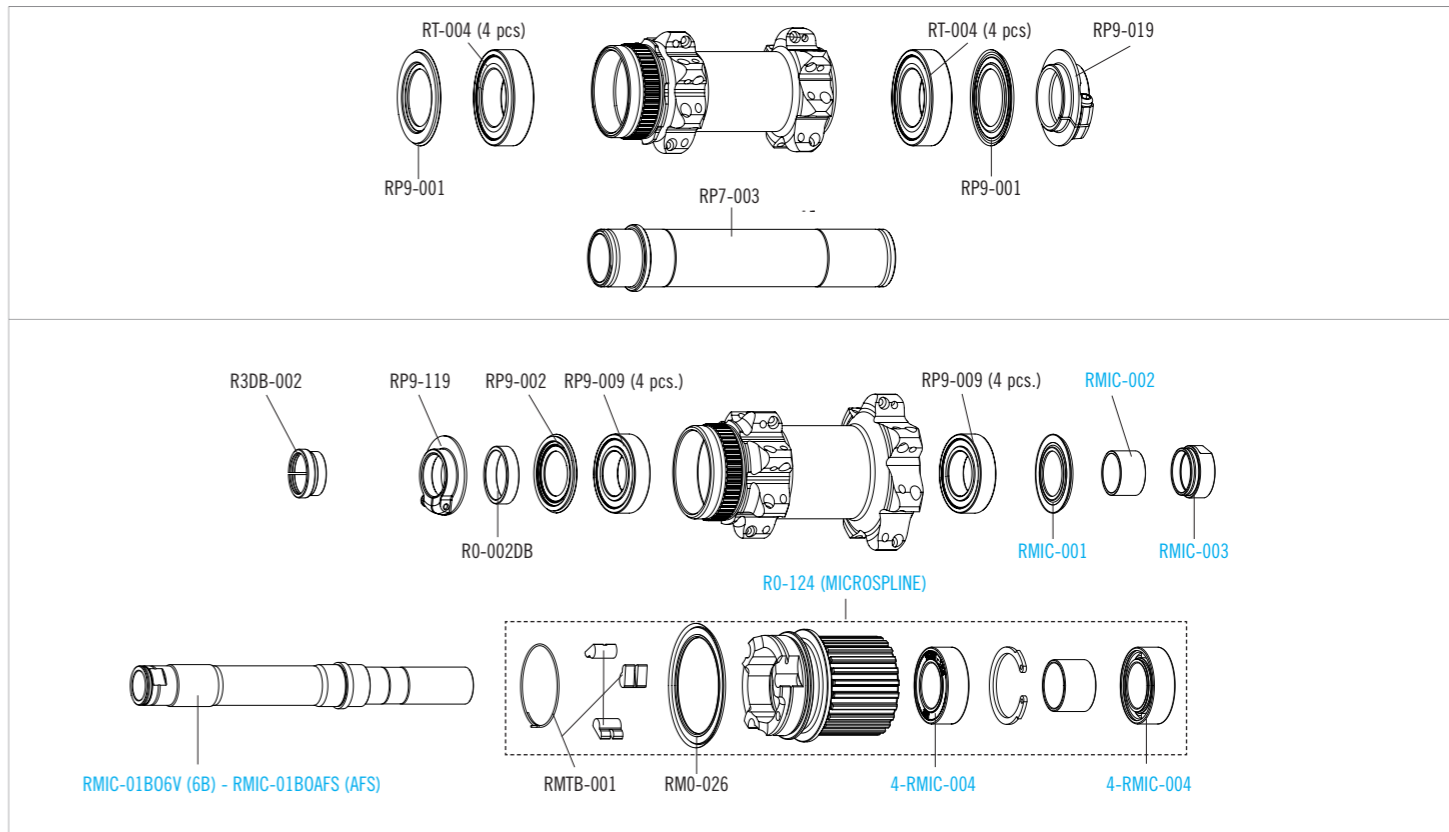
SPOKES

SPOKES L.282,5 mm (front LH)	EFM5-001	8 spokes + 8 nipples
SPOKES L.283,5 mm (front RH)	EFM5-002	8 spokes + 8 nipples
SPOKES L.287 mm (rear RH)	EFM5-004	8 spokes + 8 nipples
SPOKES L.289 mm (rear LH)	EFM5-003	8 spokes + 8 nipples
NIPPLES	50-EMF-015BRB	50 pcs.
TOOL	T-18	spoke spanner

E- METAL 5/500 27.5

6 BOLTS & AFS / **MICROSPLINE**
front BOOST: HH15-110
rear BOOST: HH12-148

HUBS/MOZZI

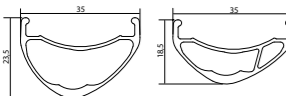


E- METAL 5/500 29

6 BOLTS & AFS / **HG - XD**
front BOOST: HH15-110
rear BOOST: HH12-148

RIMS & SPOKES/CERCHI E RAGGI

RIM

	<p>LABEL KIT VALVE HOLE RIM-TAPE DIAMETER</p>	<p>EM50029-LAB19 (E-METAL 500 FRONT + REAR) - EM529-LAB19 (E-METAL 5 FRONT + REAR) 6,5 mm 2-WH-RT2930 (32,5 mm - 2 pcs) 29 2WF-Ready</p>
----------------------------------------------------------------------------------	-----------------------------------------------------------	------------------------------------------------------------------------------------------------------------------------------------------------------

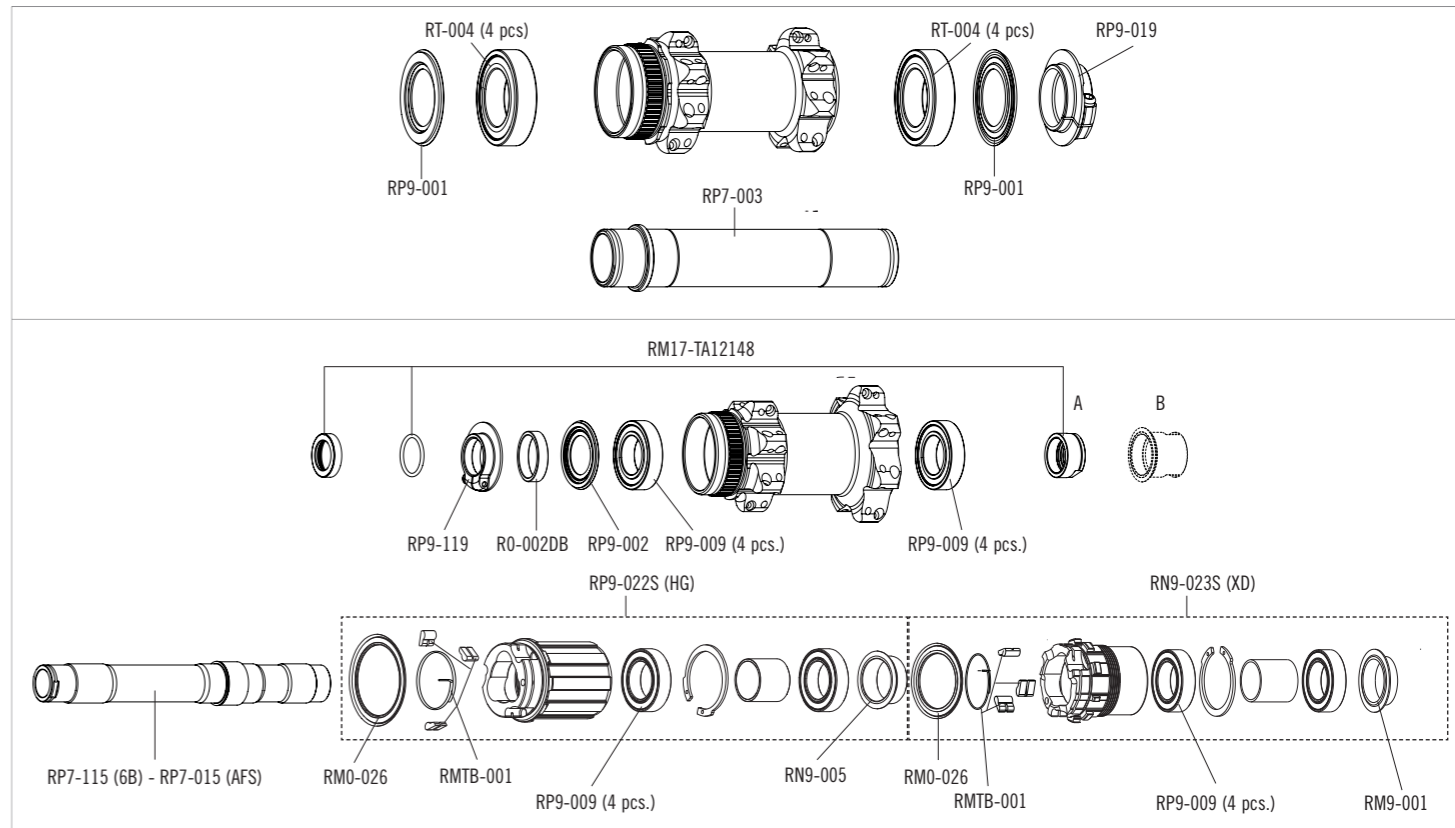
SPOKES

<p>SPOKES L.302,5 mm (front) SPOKES L.307 mm (rear) NIPPLES TOOL</p>	<p>EM5-001 EM5-002 50-EMF-015BRB T-18</p>	<p>8 spokes + 8 nipples 8 spokes + 8 nipples 50 pcs. spoke spanner</p>
----------------------------------------------------------------------------------	-------------------------------------------------------	------------------------------------------------------------------------------------

E- METAL 5/500 29

6 BOLTS & AFS / **HG - XD**
front BOOST: HH15-110
rear BOOST: HH12-148

HUBS/MOZZI



XD FW body / Corpetto RL XD

RN9-023S (FW body) + **RM17-TA12148** (adapter)

HG FW body only / Corpetto RL HG

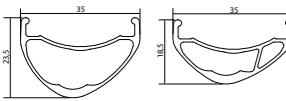
B (not coded) = **RN9-005** + A

E- METAL 5/500 29

6 BOLTS & AFS / **MICROSPLINE**
 front BOOST: HH15-110
 rear BOOST: HH12-148

RIMS & SPOKES/CERCHI E RAGGI

RIM

	LABEL KIT VALVE HOLE RIM-TAPE DIAMETER	EM50029-LAB19 (E-METAL 500 FRONT + REAR) - EM529-LAB19 (E-METAL 5 FRONT + REAR) 6,5 mm 2-WH-RT2930 (32,5 mm - 2 pcs) 29 2WF-Ready
----------------------------------------------------------------------------------	-------------------------------------------------	--------------------------------------------------------------------------------------------------------------------------------------------

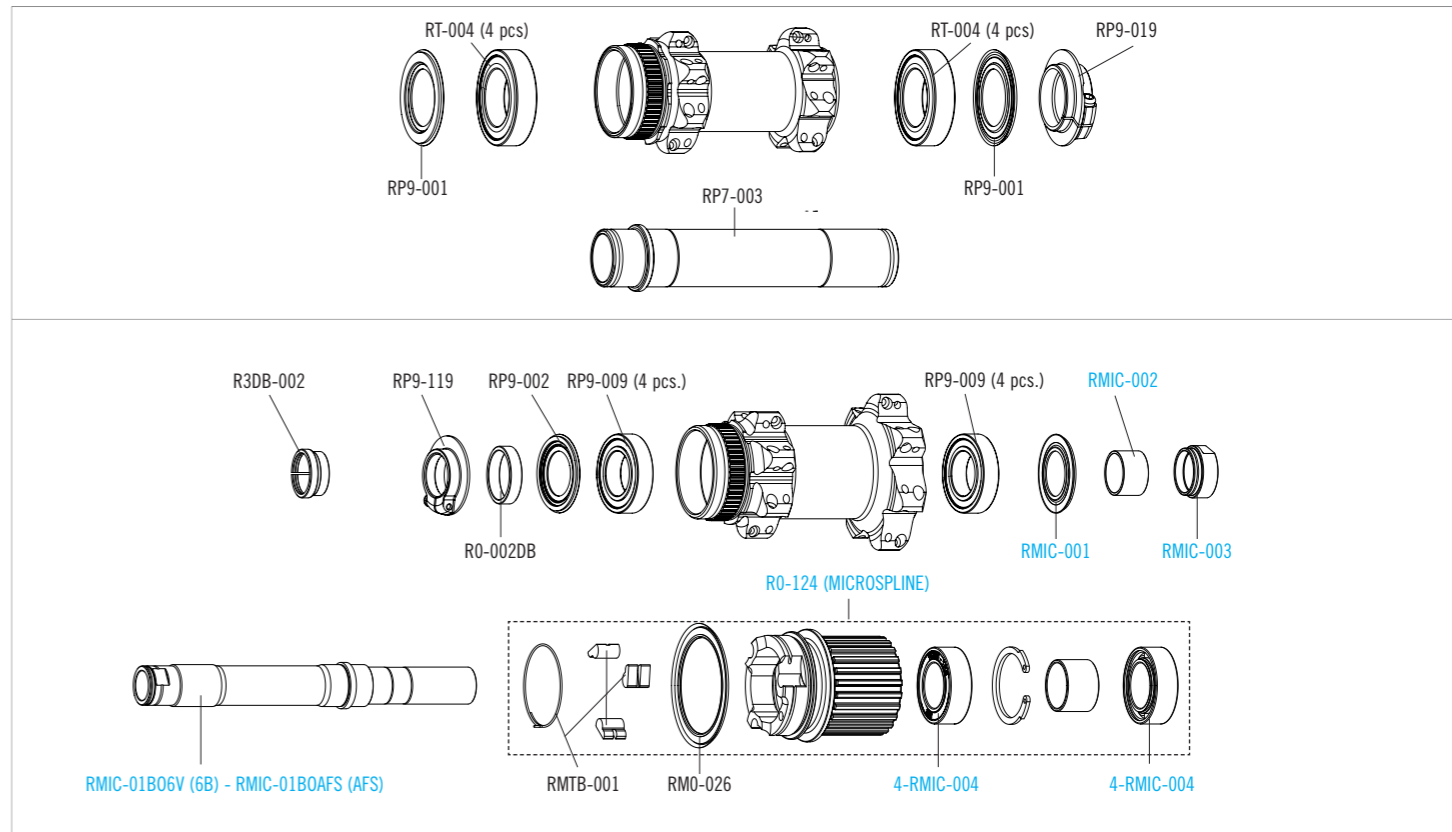
SPOKES

SPOKES L.302,5 mm (front) SPOKES L.307 mm (rear) NIPPLES TOOL	EM5-001 EM5-002 50-EMF-015BRB T-18	8 spokes + 8 nipples 8 spokes + 8 nipples 50 pcs. spoke spanner
------------------------------------------------------------------------	---------------------------------------------	--------------------------------------------------------------------------

E- METAL 5/500 29

6 BOLTS & AFS / **MICROSPLINE**
 front BOOST: HH15-110
 rear BOOST: HH12-148

HUBS/MOZZI

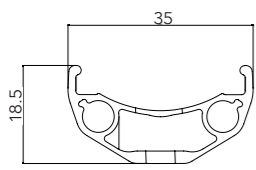


E- METAL 700 27.5

6 BOLTS & AFS / HG - XD
front BOOST: HH15-110
rear BOOST: HH12-148

RIMS & SPOKES/CERCHI E RAGGI

RIM

	<p>LABEL KIT VALVE HOLE RIM-TAPE DIAMETER</p>	<p>EM70027-LAB20 (E-METAL 700 FRONT + REAR) 6,5 mm 2-WH-RT2730 (32,5 mm - 2 pcs) 27,5 2WF-Ready</p>
----------------------------------------------------------------------------------	-----------------------------------------------------------	------------------------------------------------------------------------------------------------------------------------

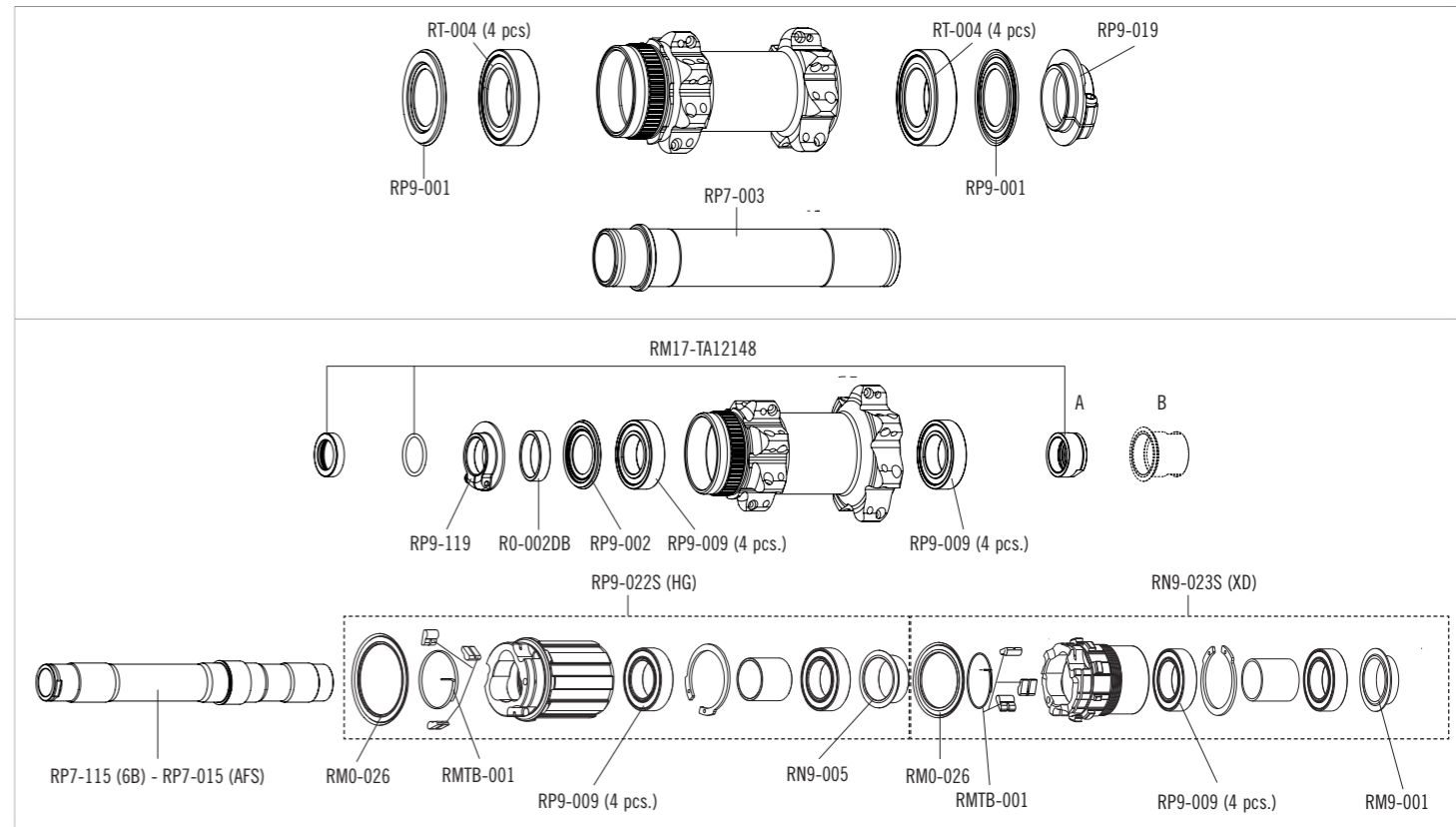
SPOKES

SPOKES L.285,5 mm (front LH)	EM7-001	8 spokes + 8 nipples
SPOKES L.288 mm (front RH)	EM7-002	8 spokes + 8 nipples
SPOKES L.288 mm (rear LH)	EM7-002	8 spokes + 8 nipples
SPOKES L.285,5 mm (rear RH)	EM7-001	8 spokes + 8 nipples
NIPPLES	50-EMF-016BRB	50 pcs.

E- METAL 700 27.5

6 BOLTS & AFS / HG - XD
front BOOST: HH15-110
rear BOOST: HH12-148

HUBS/MOZZI



XD FW body / Corpetto RL XD

RN9-023S (FW body) + **RM17-TA12148** (adapter)

HG FW body only / Corpetto RL HG

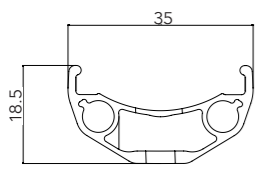
B (not coded) = **RN9-005** + A

E- METAL 700 27.5

6 BOLTS & AFS / **MICROSPLINE**
front BOOST: HH15-110
rear BOOST: HH12-148

RIMS & SPOKES/CERCHI E RAGGI

RIM

	<p>LABEL KIT VALVE HOLE RIM-TAPE DIAMETER</p>	<p>EM70027-LAB20 (E-METAL 700 FRONT + REAR) 6,5 mm 2-WH-RT2730 (32,5 mm - 2 pcs) 27,5 2WF-Ready</p>
----------------------------------------------------------------------------------	-----------------------------------------------------------	------------------------------------------------------------------------------------------------------------------------

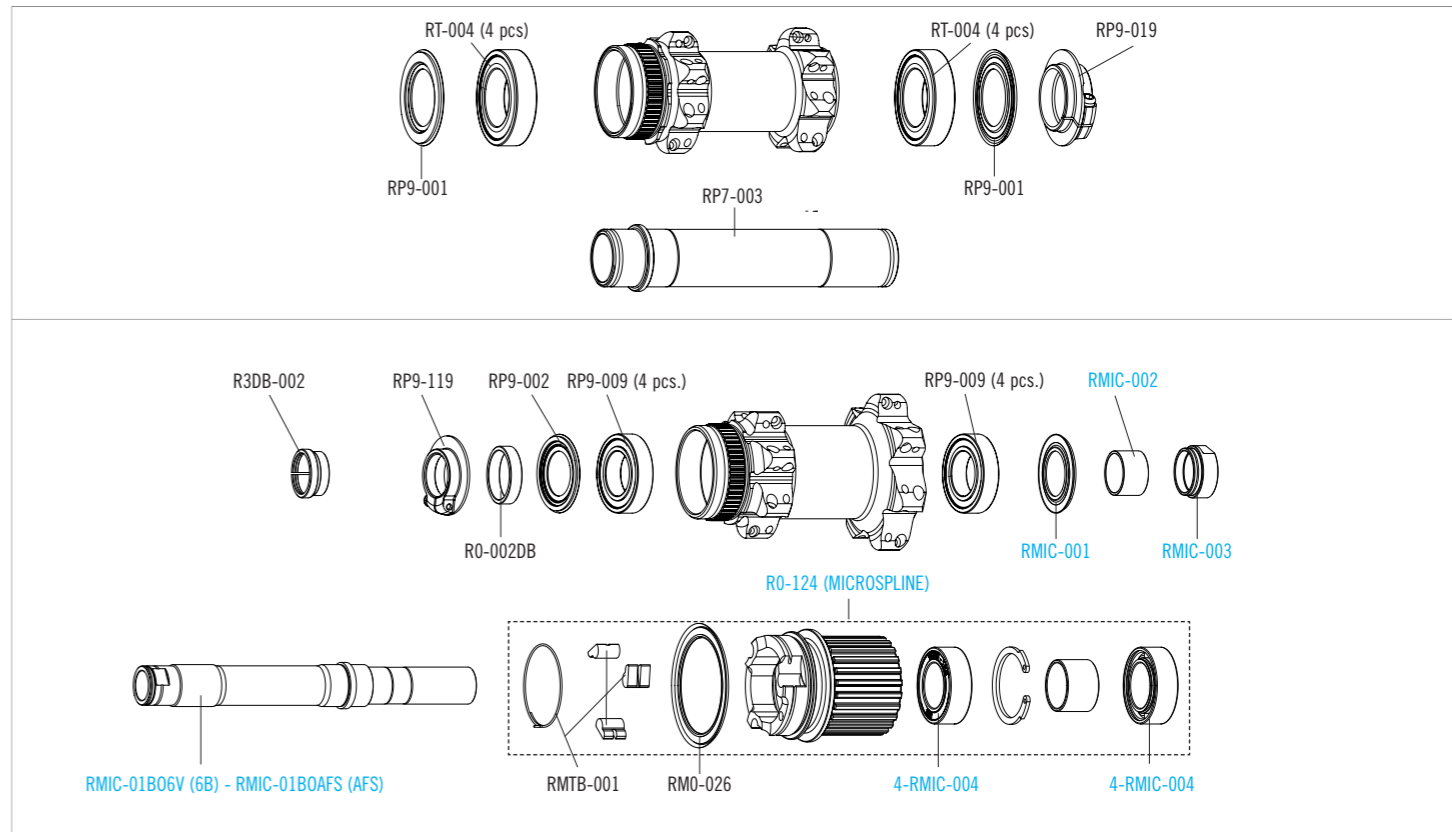
SPOKES

SPOKES L.285,5 mm (front LH)	EM7-001	8 spokes + 8 nipples
SPOKES L.288 mm (front RH)	EM7-002	8 spokes + 8 nipples
SPOKES L.288 mm (rear LH)	EM7-002	8 spokes + 8 nipples
SPOKES L.285,5 mm (rear RH)	EM7-001	8 spokes + 8 nipples
NIPPLES	50-EMF-016BRB	50 pcs.

E- METAL 700 27.5

6 BOLTS & AFS / **MICROSPLINE**
front BOOST: HH15-110
rear BOOST: HH12-148

HUBS/MOZZI

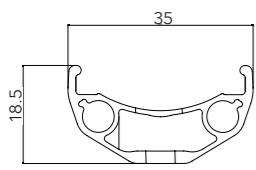


E- METAL 700 29

6 BOLTS & AFS / HG - XD
front BOOST: HH15-110
rear BOOST: HH12-148

RIMS & SPOKES/CERCHI E RAGGI

RIM

	<p>LABEL KIT VALVE HOLE RIM-TAPE DIAMETER</p>	<p>EM70029-LAB20 (E-METAL 700 FRONT + REAR) 6,5 mm 2-WH-RT2930 (32,5 mm - 2 pcs) 29 2WF-Ready</p>
----------------------------------------------------------------------------------	-----------------------------------------------------------	---------------------------------------------------------------------------------------------------------------

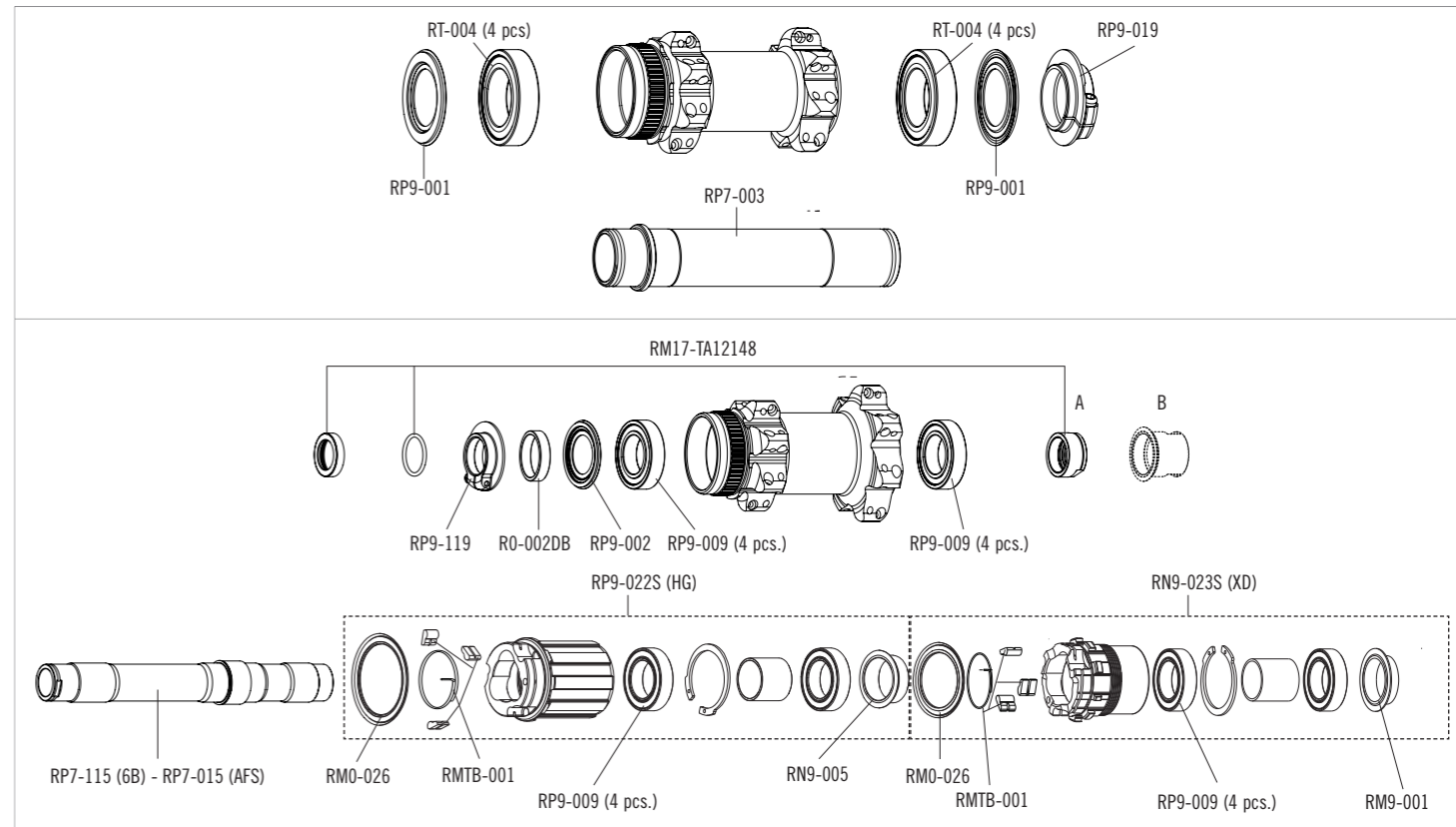
SPOKES

SPOKES L.304,5 mm (front LH)	EM7-003	8 spokes + 8 nipples
SPOKES L.307 mm (front RH)	EM7-004	8 spokes + 8 nipples
SPOKES L.307 mm (rear LH)	EM7-004	8 spokes + 8 nipples
SPOKES L.304,5 mm (rear RH)	EM7-003	8 spokes + 8 nipples
NIPPLES	50-EMF-016BRB	50 pcs.

E- METAL 700 29

6 BOLTS & AFS / HG - XD
front BOOST: HH15-110
rear BOOST: HH12-148

HUBS/MOZZI



XD FW body / Corpetto RL XD

RN9-023S (FW body) + RM17-TA12148 (adapter)

HG FW body only / Corpetto RL HG

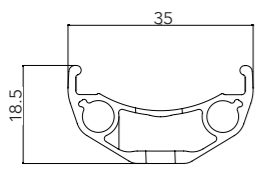
B (not coded) = RN9-005 + A

E- METAL 700 29

6 BOLTS & AFS / **MICROSPLINE**
front BOOST: HH15-110
rear BOOST: HH12-148

RIMS & SPOKES/CERCHI E RAGGI

RIM

	<p>LABEL KIT VALVE HOLE RIM-TAPE DIAMETER</p>	<p>EM70029-LAB20 (E-METAL 700 FRONT + REAR) 6,5 mm 2-WH-RT2930 (32,5 mm - 2 pcs) 29 2WF-Ready</p>
----------------------------------------------------------------------------------	-----------------------------------------------------------	----------------------------------------------------------------------------------------------------------------------

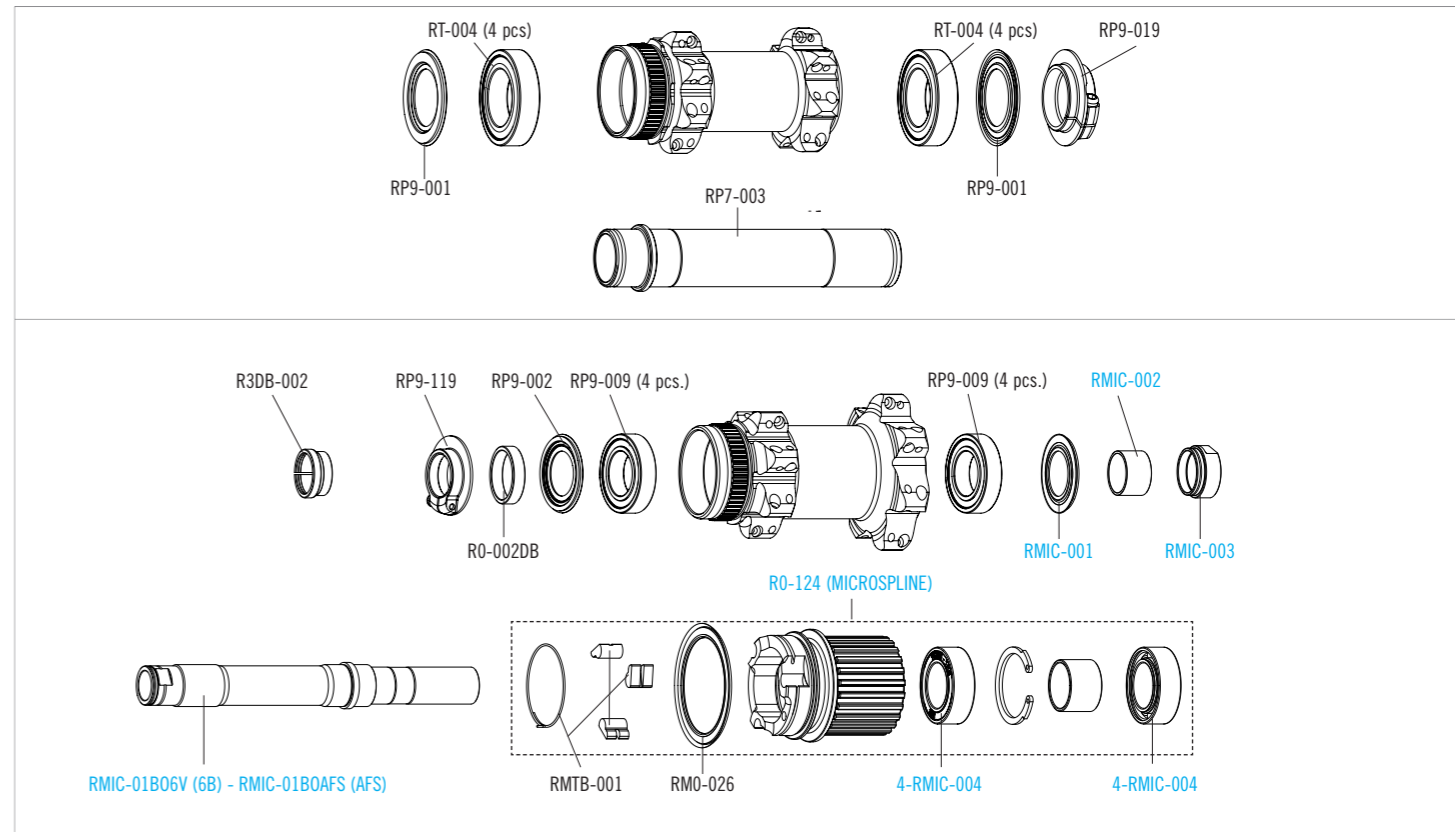
SPOKES

SPOKES L.304,5 mm (front LH)	EM7-003	8 spokes + 8 nipples
SPOKES L.307 mm (front RH)	EM7-004	8 spokes + 8 nipples
SPOKES L.307 mm (rear LH)	EM7-004	8 spokes + 8 nipples
SPOKES L.304,5 mm (rear RH)	EM7-003	8 spokes + 8 nipples
NIPPLES	50-EMF-016BRB	50 pcs.

E- METAL 700 29

6 BOLTS & AFS / **MICROSPLINE**
front BOOST: HH15-110
rear BOOST: HH12-148

HUBS/MOZZI

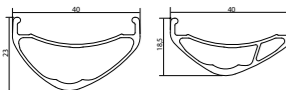


E- FIRE 3/300

6 BOLTS & AFS / HG - XD
front BOOST: HH15-110
rear BOOST: HH12-148

RIMS & SPOKES/CERCHI E RAGGI

RIM

	<p>LABEL KIT VALVE HOLE RIM-TAPE DIAMETER</p>	<p>EF30027-LAB19 (E-FIRE 300 FRONT + REAR) - EF327-LAB19 (E-FIRE 3 FRONT + REAR) 6,5 mm 2-WH-RT2735 (37,5 mm - 2 pcs) 27,5 2WF-Ready</p>
----------------------------------------------------------------------------------	-----------------------------------------------------------	------------------------------------------------------------------------------------------------------------------------------------------------------

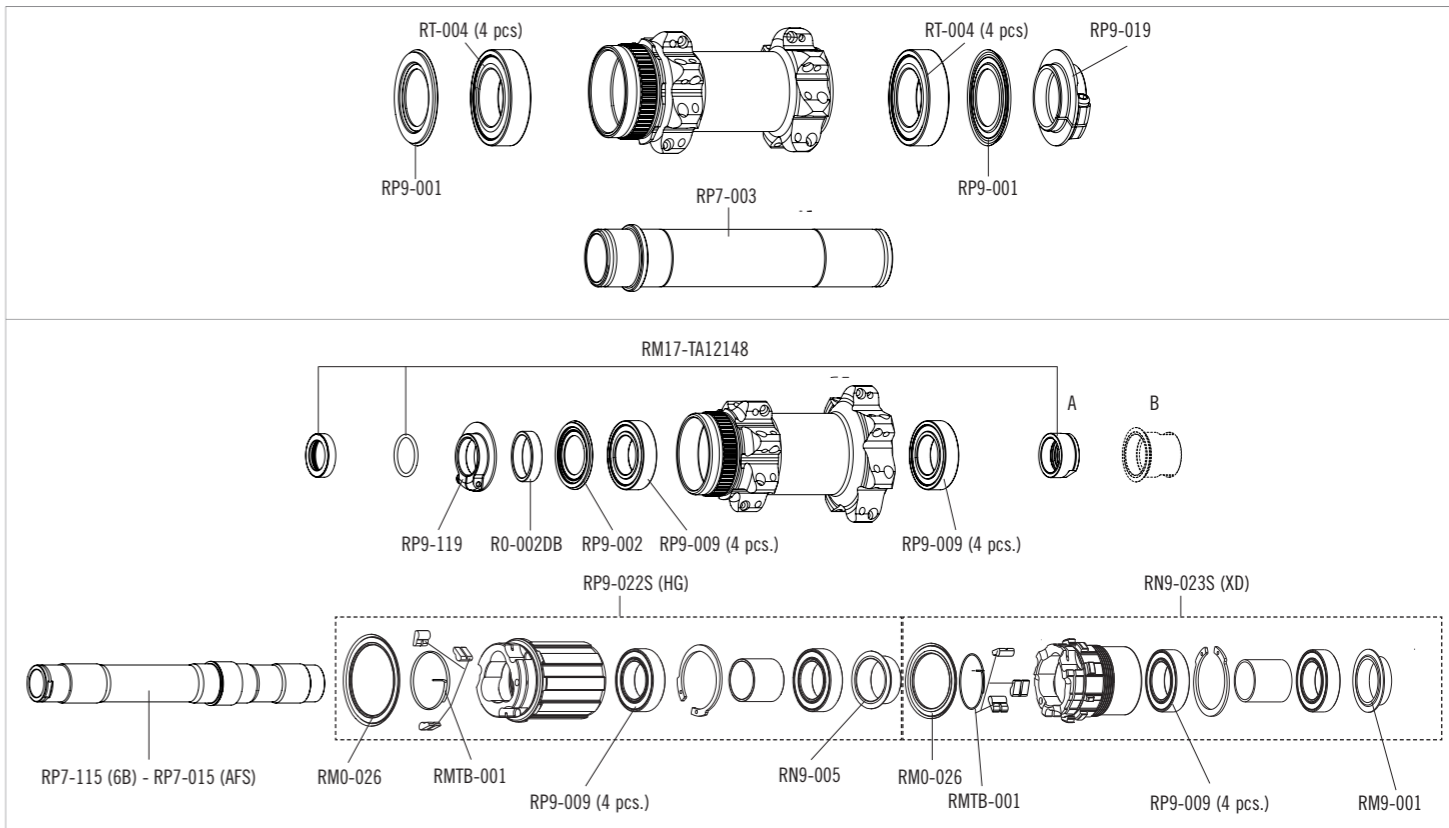
SPOKES

SPOKES L.282,5 mm (front LH)	EFM3-001	8 spokes + 8 nipples
SPOKES L.283,5 mm (front RH)	EFM3-002	8 spokes + 8 nipples
SPOKES L.287 mm (rear RH)	EFM3-003	8 spokes + 8 nipples
SPOKES L.289 mm (rear LH)	EFM3-004	8 spokes + 8 nipples
NIPPLES	50-EMF-015ALB	50 pcs.
TOOL	T-18	spoke spanner

E- FIRE 3/300

6 BOLTS & AFS / HG - XD
front BOOST: HH15-110
rear BOOST: HH12-148

HUBS/MOZZI



XD FW body / Corpetto RL XD

RN9-023S (FW body) + **RM17-TA12148** (adapter)

HG FW body only / Corpetto RL HG

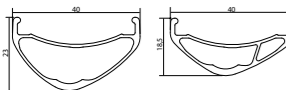
B (not coded) = **RN9-005** + A

E- FIRE 3/300

6 BOLTS & AFS / **MICROSPLINE**
front BOOST: HH15-110
rear BOOST: HH12-148

RIMS & SPOKES/CERCHI E RAGGI

RIM

	<p>LABEL KIT VALVE HOLE RIM-TAPE DIAMETER</p>	<p>EF30027-LAB19 (E-FIRE 300 FRONT + REAR) - EF327-LAB19 (E-FIRE 3 FRONT + REAR) 6,5 mm 2-WH-RT2735 (37,5 mm - 2 pcs) 27,5 2WF-Ready</p>
----------------------------------------------------------------------------------	-----------------------------------------------------------	------------------------------------------------------------------------------------------------------------------------------------------------------

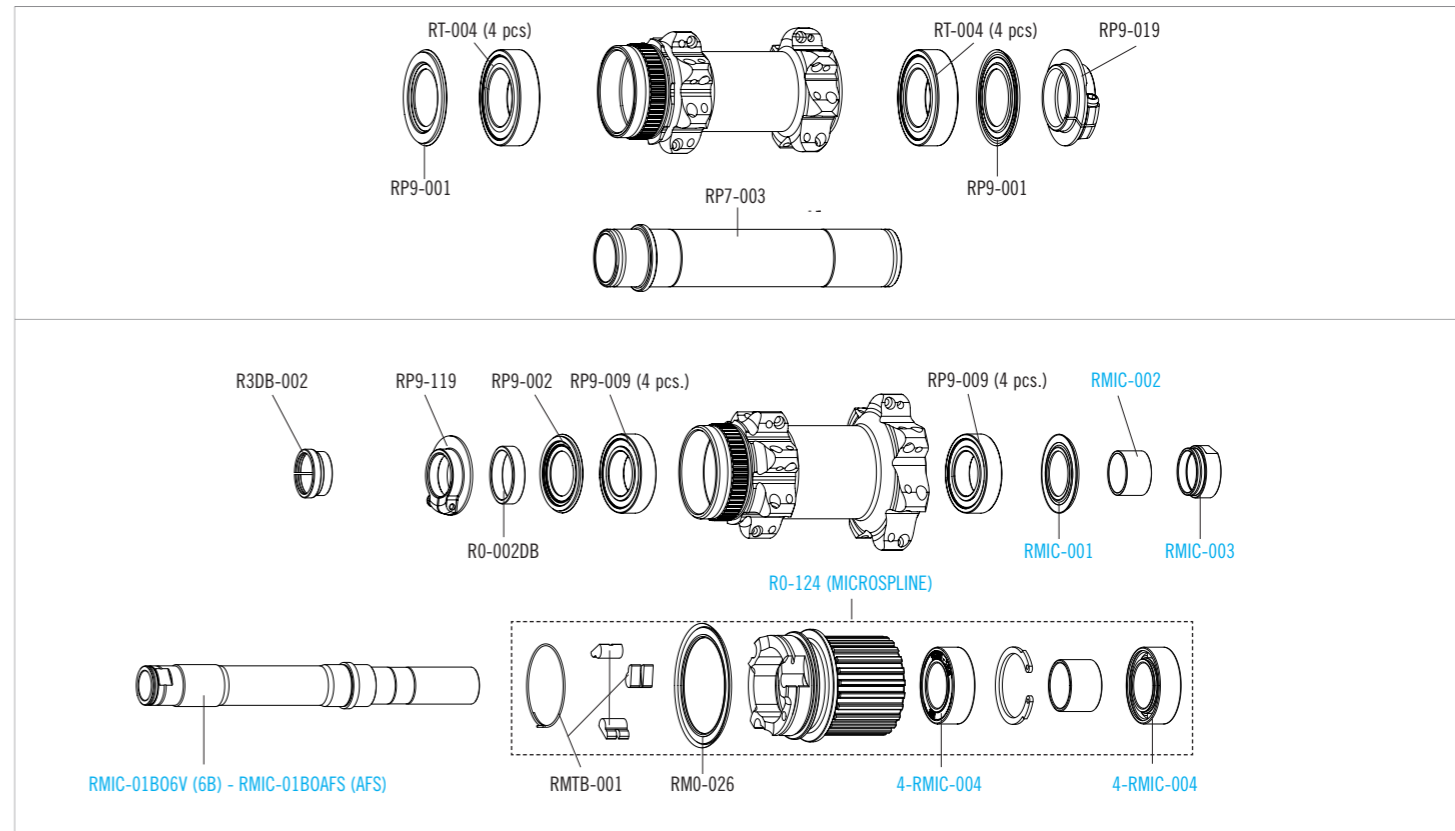
SPOKES

SPOKES L.282,5 mm (front LH)	EFM3-001	8 spokes + 8 nipples
SPOKES L.283,5 mm (front RH)	EFM3-002	8 spokes + 8 nipples
SPOKES L.287 mm (rear RH)	EFM3-003	8 spokes + 8 nipples
SPOKES L.289 mm (rear LH)	EFM3-004	8 spokes + 8 nipples
NIPPLES	50-EMF-015ALB	50 pcs.
TOOL	T-18	spoke spanner

E- FIRE 3/300

6 BOLTS & AFS / **MICROSPLINE**
front BOOST: HH15-110
rear BOOST: HH12-148

HUBS/MOZZI

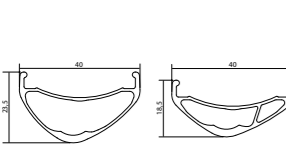


E- FIRE 5/500

6 BOLTS & AFS / **HG - XD**
front BOOST: HH15-110
rear BOOST: HH12-148

RIMS & SPOKES/CERCHI E RAGGI

RIM

	<p>LABEL KIT VALVE HOLE RIM-TAPE DIAMETER</p>	<p>EF50027-LAB19 (E-FIRE 500 FRONT + REAR) - EF527-LAB19 (E-FIRE 5 FRONT + REAR) 6,5 mm 2-WH-RT2735 (37,5 mm - 2 pcs) 27,5 2WF-Ready</p>
----------------------------------------------------------------------------------	-----------------------------------------------------------	------------------------------------------------------------------------------------------------------------------------------------------------------

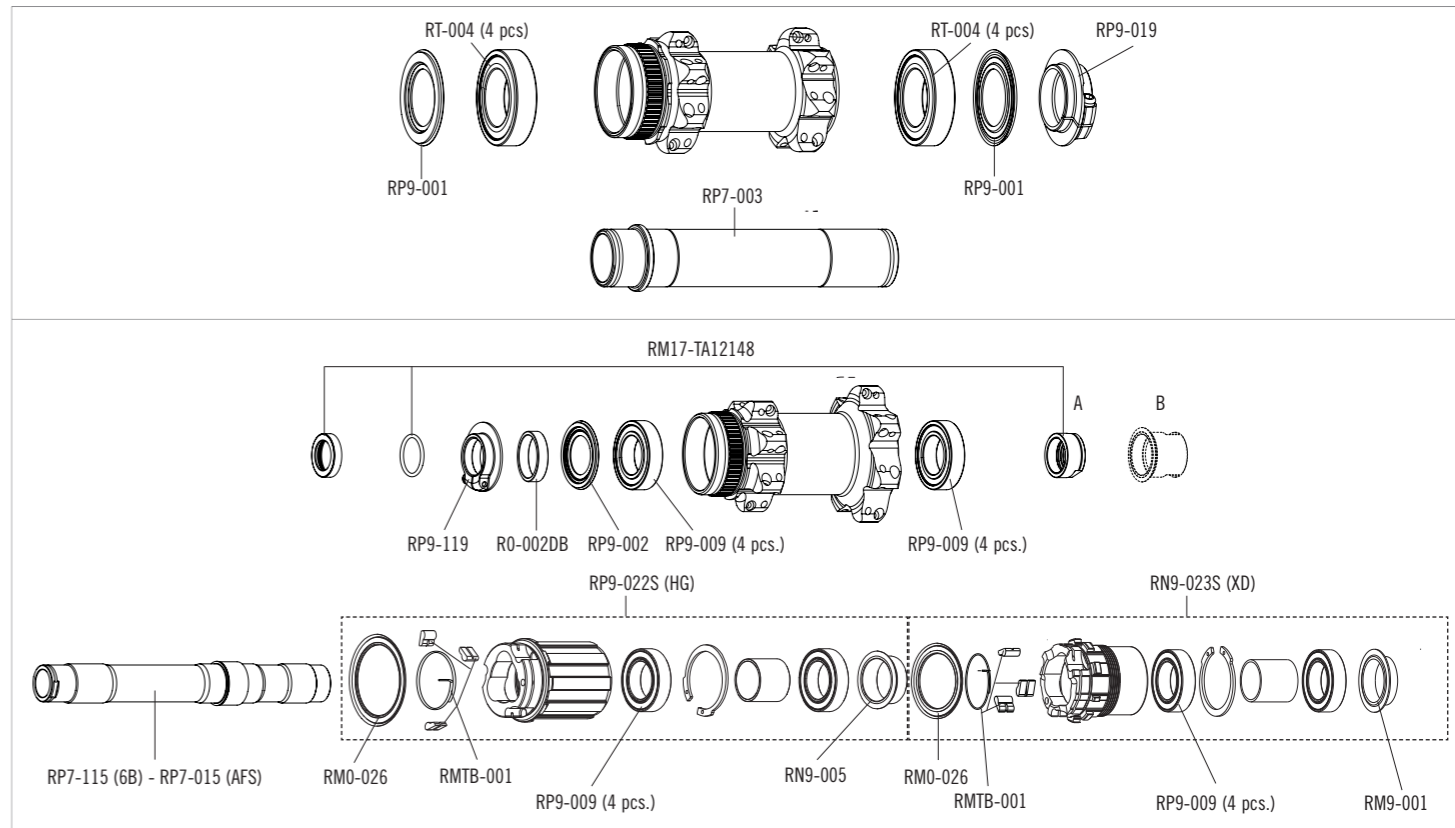
SPOKES

SPOKES L.282,5 mm (front LH)	EFM5-001	8 spokes + 8 nipples
SPOKES L.283,5 mm (front RH)	EFM5-002	8 spokes + 8 nipples
SPOKES L.287 mm (rear RH)	EFM5-004	8 spokes + 8 nipples
SPOKES L.289 mm (rear LH)	EFM5-003	8 spokes + 8 nipples
NIPPLES	50-EMF-015BRB	50 pcs.
TOOL	T-18	spoke spanner

E- FIRE 5/500

6 BOLTS & AFS / **HG - XD**
front BOOST: HH15-110
rear BOOST: HH12-148

HUBS/MOZZI



XD FW body / Corpetto RL XD

RN9-023S (FW body) + **RM17-TA12148** (adapter)

HG FW body only / Corpetto RL HG

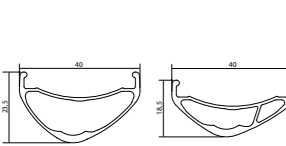
B (not coded) = **RN9-005** + A

E- FIRE 5/500

6 BOLTS & AFS / **MICROSPLINE**
front BOOST: HH15-110
rear BOOST: HH12-148

RIMS & SPOKES/CERCHI E RAGGI

RIM

	<p>LABEL KIT VALVE HOLE RIM-TAPE DIAMETER</p>	<p>EF50027-LAB19 (E-FIRE 500 FRONT + REAR) - EF527-LAB19 (E-FIRE 5 FRONT + REAR) 6,5 mm 2-WH-RT2735 (37,5 mm - 2 pcs) 27,5 2WF-Ready</p>
----------------------------------------------------------------------------------	-----------------------------------------------------------	------------------------------------------------------------------------------------------------------------------------------------------------------

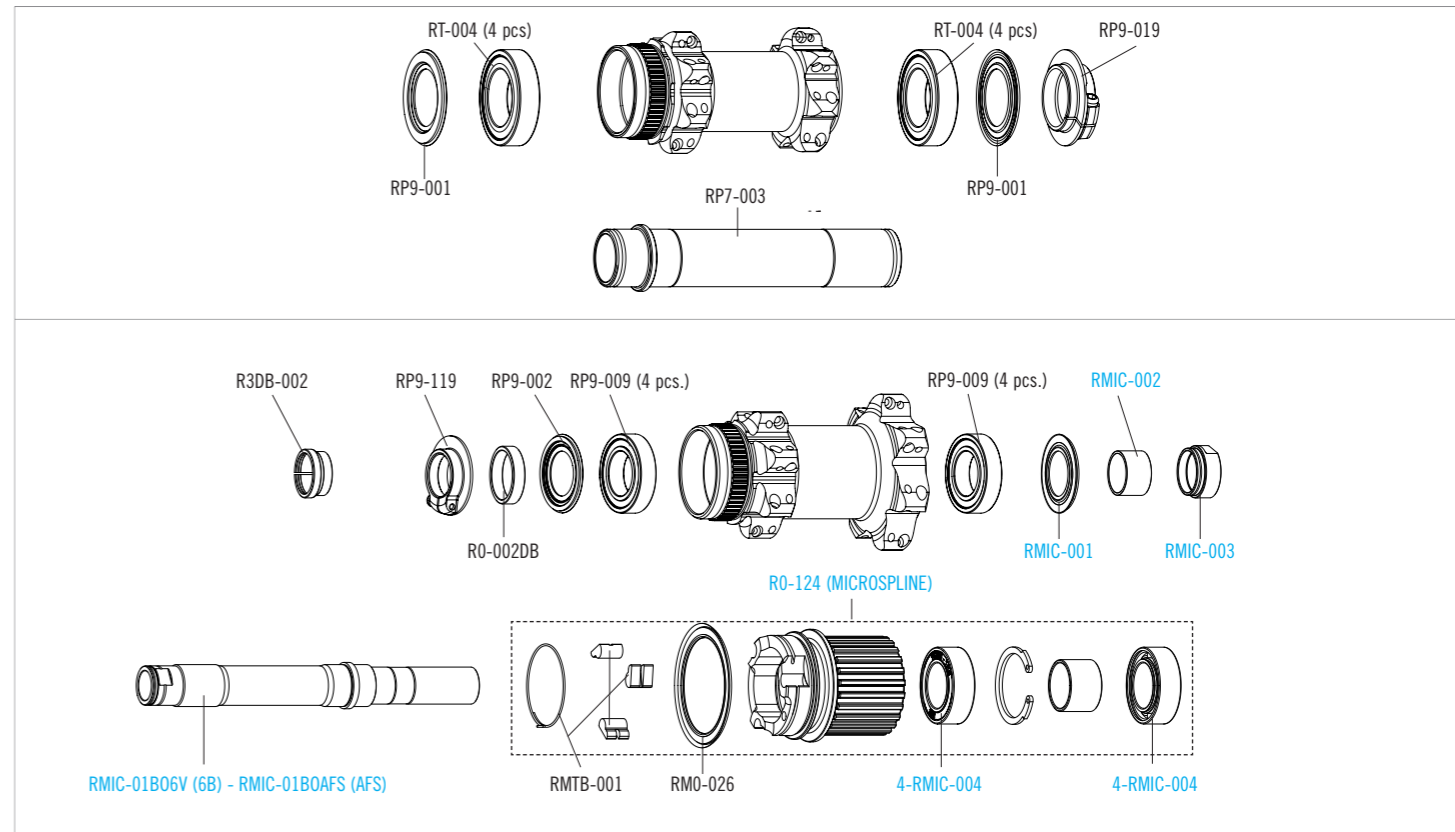
SPOKES

SPOKES L.282,5 mm (front LH)	EFM5-001	8 spokes + 8 nipples
SPOKES L.283,5 mm (front RH)	EFM5-002	8 spokes + 8 nipples
SPOKES L.287 mm (rear RH)	EFM5-004	8 spokes + 8 nipples
SPOKES L.289 mm (rear LH)	EFM5-003	8 spokes + 8 nipples
NIPPLES	50-EMF-015BRB	50 pcs.
TOOL	T-18	spoke spanner

E- FIRE 5/500

6 BOLTS & AFS / **MICROSPLINE**
front BOOST: HH15-110
rear BOOST: HH12-148

HUBS/MOZZI

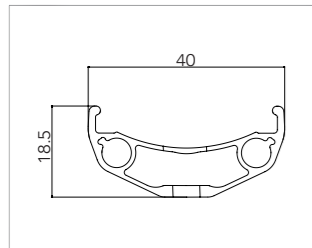


E- FIRE 700 27.5

6 BOLTS & AFS / HG - XD
front BOOST: HH15-110
rear BOOST: HH12-148

RIMS & SPOKES/CERCHI E RAGGI

RIM

	<p>LABEL KIT VALVE HOLE RIM-TAPE DIAMETER</p>	<p>EF70027-LAB20 (E-FIRE 700 FRONT + REAR) 6,5 mm 2-WH-RT2735 (37,5 mm - 2 pcs) 27,5 2WF-Ready</p>
----------------------------------------------------------------------------------	-----------------------------------------------------------	----------------------------------------------------------------------------------------------------------------

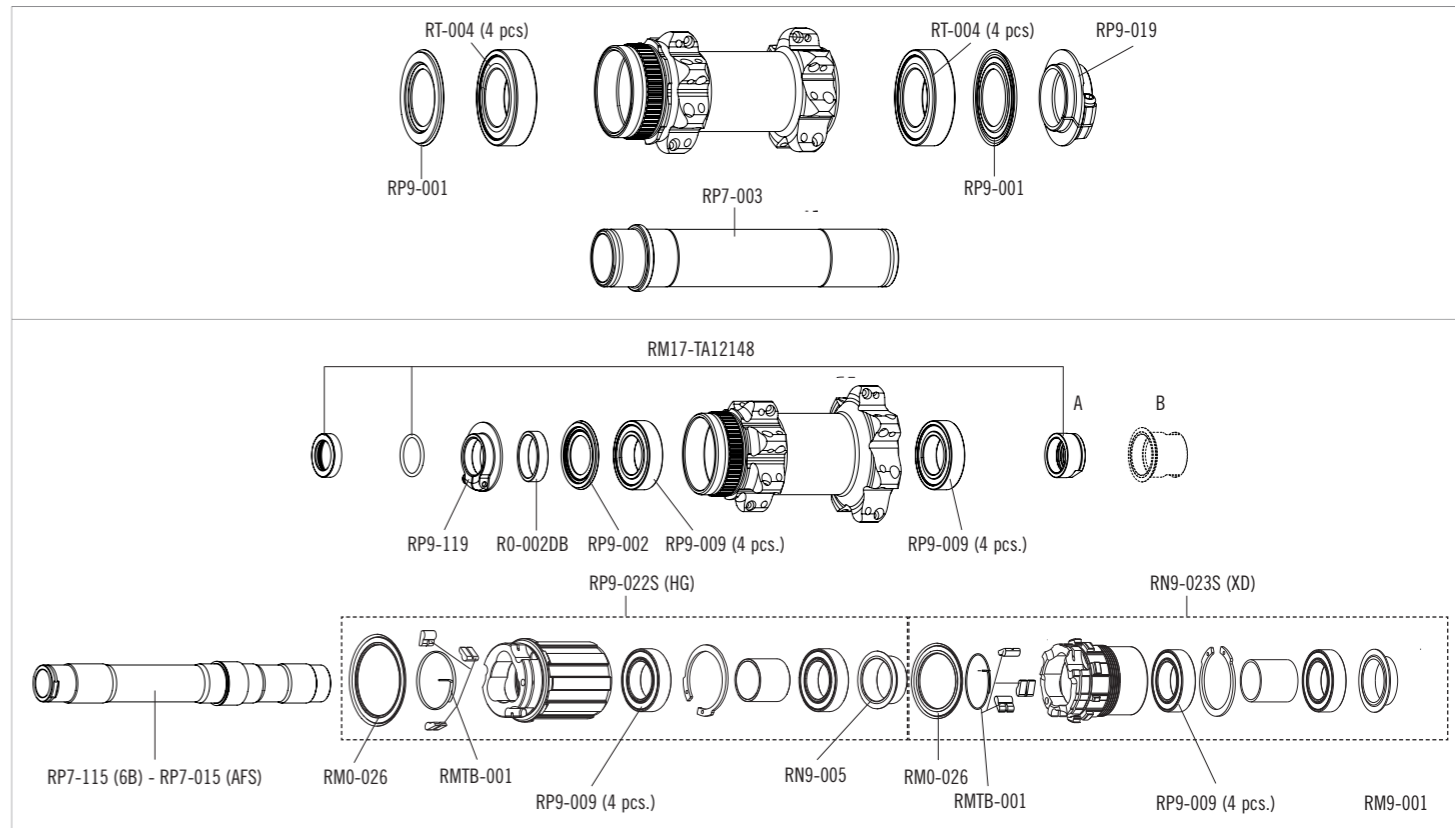
SPOKES

SPOKES L.285,5 mm (front LH)	EM7-001	8 spokes + 8 nipples
SPOKES L.288 mm (front RH)	EM7-002	8 spokes + 8 nipples
SPOKES L.288 mm (rear RH)	EM7-002	8 spokes + 8 nipples
SPOKES L.285,5 mm (rear LH)	EM7-001	8 spokes + 8 nipples
NIPPLES	50-EMF-016BRB	50 pcs.

E- FIRE 700 27.5

6 BOLTS & AFS / HG - XD
front BOOST: HH15-110
rear BOOST: HH12-148

HUBS/MOZZI



XD FW body / Corpetto RL XD

RN9-023S (FW body) + RM17-TA12148 (adapter)

HG FW body only / Corpetto RL HG

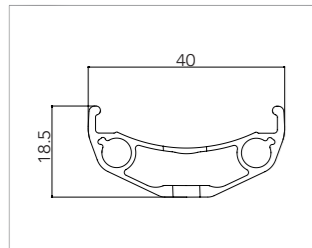
B (not coded) = RN9-005 + A

E- FIRE 700 27.5

6 BOLTS & AFS / **MICROSPLINE**
front BOOST: HH15-110
rear BOOST: HH12-148

RIMS & SPOKES/CERCHI E RAGGI

RIM

	<p>LABEL KIT VALVE HOLE RIM-TAPE DIAMETER</p>	<p>EF70027-LAB20 (E-FIRE 700 FRONT + REAR) 6,5 mm 2-WH-RT2735 (37,5 mm - 2 pcs) 27,5 2WF-Ready</p>
----------------------------------------------------------------------------------	-----------------------------------------------------------	-----------------------------------------------------------------------------------------------------------------------

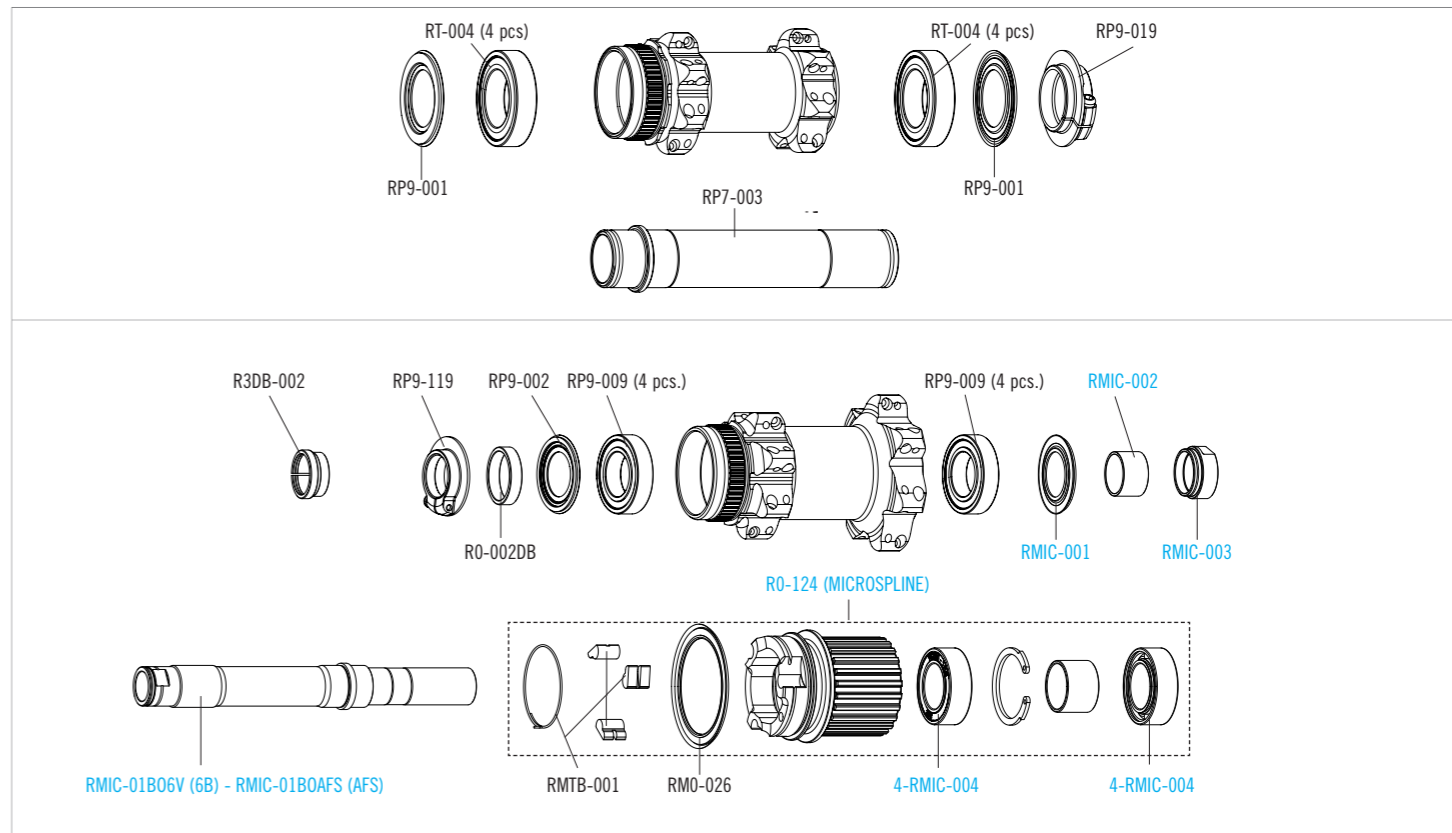
SPOKES

SPOKES L.285,5 mm (front LH)	EM7-001	8 spokes + 8 nipples
SPOKES L.288 mm (front RH)	EM7-002	8 spokes + 8 nipples
SPOKES L.288 mm (rear RH)	EM7-002	8 spokes + 8 nipples
SPOKES L.285,5 mm (rear LH)	EM7-001	8 spokes + 8 nipples
NIPPLES	50-EMF-016BRB	50 pcs.

E- FIRE 700 27.5

6 BOLTS & AFS / **MICROSPLINE**
front BOOST: HH15-110
rear BOOST: HH12-148

HUBS/MOZZI

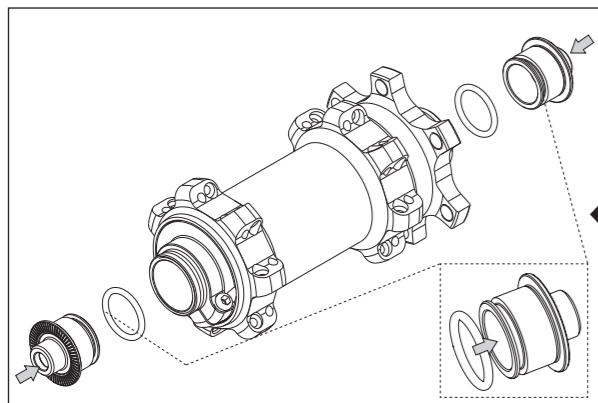


ADAPTERS FOR FULL COMP FRONT AXLE

QUICK RELEASE

QR \varnothing 9mm - 100mm

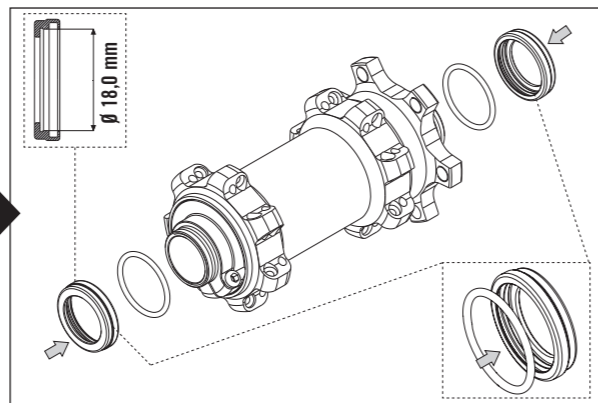
RM11-TAQR



THRU-AXLE 15 mm ADAPTER

Thru axle \varnothing 15mm - 100mm

KITFCFA15



ADAPTERS FOR FULL COMP REAR AXLE

HG FW body

Thru axle \varnothing 12mm - O.L.D. 135 mm
(Code RM16-TA12135)

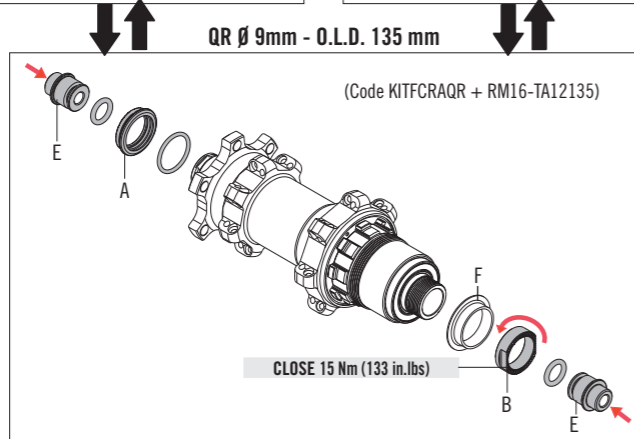
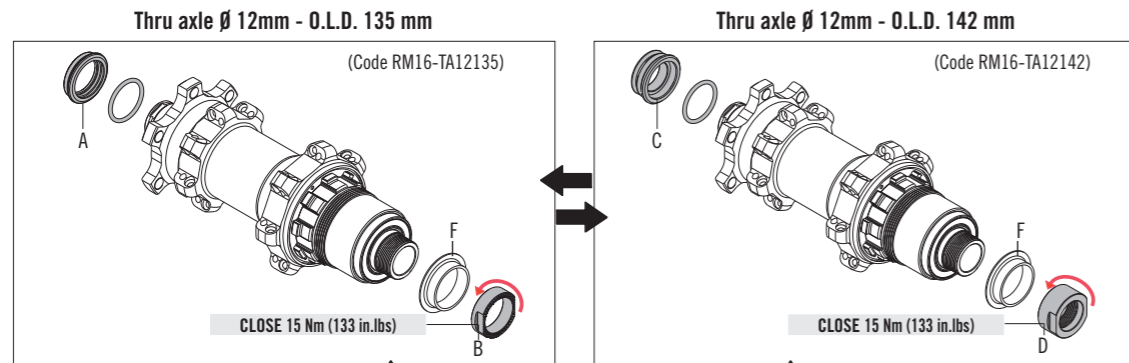
Thru axle \varnothing 12mm - O.L.D. 142 mm
(Code RM16-TA12142)

QR \varnothing 9mm - O.L.D. 135 mm
(Code KITFCRAQR + RM16-TA12135)

A	4,25 mm
B	5,6 mm
C	7,75 mm
D	9,1 mm
E	15,5 mm
G*	8,0 mm
G: RN9-005	
(*NOT INCLUDED)	

ADAPTERS FOR FULL COMP REAR AXLE

XD FW body



A	4,25 mm
B	5,6 mm
C	7,75 mm
D	9,1 mm
E	15,5 mm
F*	5,5 mm
F: RM9-001	

(*NOT INCLUDED)

QUICK RELEASES

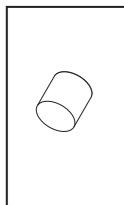


R5-QFR02	R3-QFR12	RWX-QFR12	RM0-QFR
RACING 5 LG RACING 7 LG RACING SPORT	SPEED 55C SPEED 40C RACING ZERO COMPETIZIONE RACING ZERO NITE RACING ZERO RACING 3 RACING QUATTRO CARBON RACING QUATTRO LG	SPEED 55T SPEED 40T RACING ZERO CARBON RED WIND XLR SPEED 360T	RED PASSION

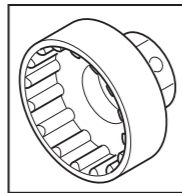
R5-QF16K + R5-QR16K (incl. KIT HH=>QR)	R4-QF16K + R4-QR16K (incl. KIT HH=>QR)
RACING 5 DB / RACING 500 DB RACING 6 DB / RACING 600 DB RACING 7 DB / RACING 700 DB RED ZONE 5 / RED ZONE 500 RED ZONE 7 / RED ZONE 700 RED FIRE 5 / RED FIRE 500	RACING QUATTRO CARBON DB

RM5-QFR
RED PASSION 3

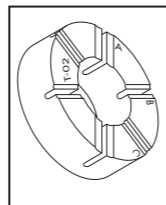
TOOLS & ACCESSORIES



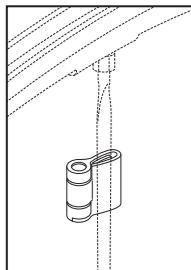
T-05
Magnete guida-nipplo
Nipple guide magnet



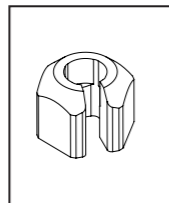
UT-BB130
Attrezzo ghiera AFS™
Tool for AFS™ lockring



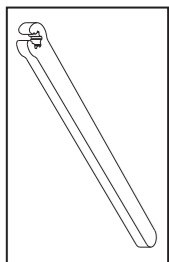
T-02
Anello anti-rotazione raggi
Spoke antirotation ring



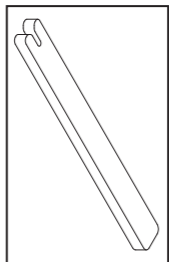
T-09
Magnete velocità
SPD magnet



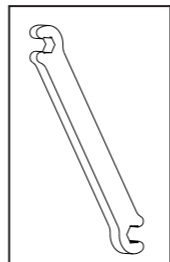
T-18
Chiave tiraraggi per nipplo quadro in alluminio 3,9 mm
Spoke spanner for aluminum square nipple 3,9 mm



T-24 RED CARBON / RED PASSION
Chiave tiraraggi
Spoke spanner

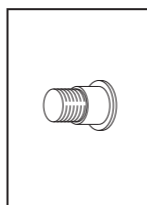


T-25 RED CARBON / RED PASSION / SPEED DB/
RED ZONE / RED FIRE / E-METAL / E-FIRE /
RACING 3/4/5 DB
Chiave anti-rotazione raggi
Spoke antirotation tool



T-07
Chiave tiraraggi
Spoke spanner

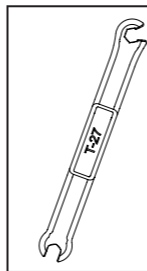
TOOLS & ACCESSORIES



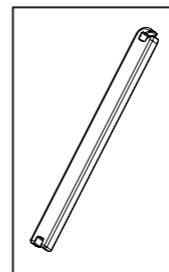
T-03 RACING 1 / RACING ZERO / RED METAL ZERO / RED CARBON / RED METAL 1 / RACING
ZERO NITE / RACING ZERO COMPETIZIONE
T-10 RED METAL 3 / 29 XLR / FIRE / ZONE XLR / RACING 3 / RACING QUATTRO
T-11 RED WIND XLR / RED WIND / RACING SPEED XLR 35 / RACING SPEED 35 / RACING
SPEED XLR 80 / RACING SPEED 80 / RED METAL 29 XRP / RED METAL XRP 650B / RACING 3 DB /
RACING 4 CARBON / RACING 4 CARBON DB / RACING 4 LG / SPEED 40 / SPEED 40 DB / SPEED
55 / SPEED 55DB / WIND 40 / WIND 40 DB / WIND 55 DB

T-29 RACING ZERO (SINCE MY 2018), RACING ZERO COMPETIZIONE (SINCE MY 2018), RACING ZERO NITE (SINCE MY 2018),
RACING ZERO DB, RACING ZERO CARBON, RACING ZERO CARBON DB

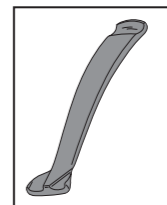
T-30 RACING 3 (SINCE MY 2018)
Inserto nipplo attira-magnete
Magnet-attracting nipple insert



T-27 (Service Center Only)
Chiave tiraraggi per nippli in alluminio
Spoke spanner for alu nipples



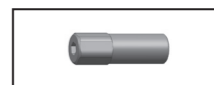
T-28 (Service Center Only)
Chiave tiraraggi per nipplo quadro in
alluminio 3,9 mm
Spoke spanner for aluminum square nipple
3,9 mm



WH-109HYC (6 pcs.)
Leva in composito per rimozione copertoncino
Composite lever for removing clinchers

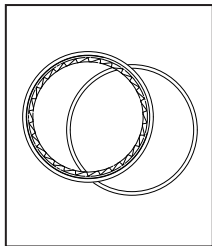


UT-WHDB001
Chiave per perni esagonali
Tool for hexagonal axle



UT-WHDB002
Inserto metallico per perni esagonali
Metallic insert for hexagonal axle

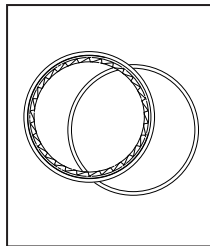
TOOLS & ACCESSORIES



RS-031 (3 pcs)

Inserto a cremagliera - Road
Hub ratchet ring tool - Road

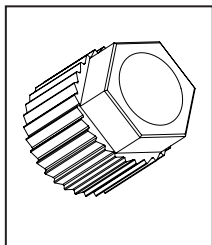
(SERVICE CENTER only)



RMO-031 (3 pcs)

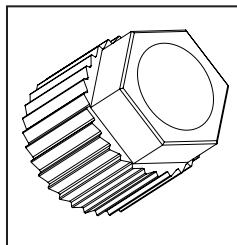
Inserto a cremagliera - Mtb & **RACING 900 / RACING 900 DB**
Hub ratchet ring tool - Mtb and **RACING 900 / RACING 900 DB**

(SERVICE CENTER only)



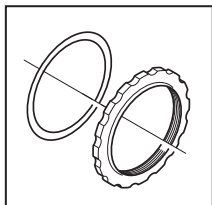
T-22

Attrezzo per smontaggio cremagliera - Road
Hub ratchet ring tool - Road



T-23

Attrezzo per smontaggio cremagliera - Mtb
Hub ratchet ring tool - Mtb



4-M1-101B black (4 pcs.)

Ghiera AFST™
AFST™ lockring